

Material:

Housing: PA66, UL 94V-0

Colour: Natural or Beige

Electrical Characteristics:

Rated Current: 4.0AMP

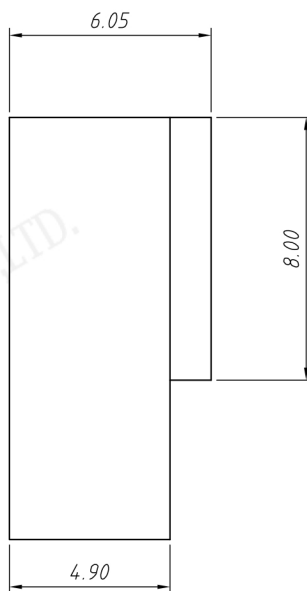
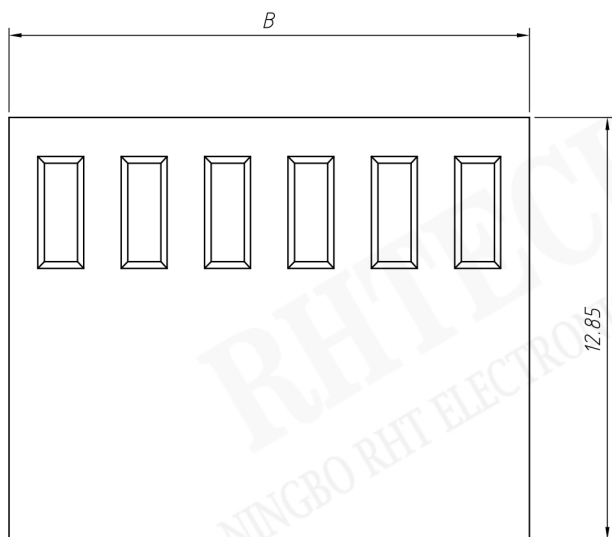
Voltage rating: 250V AC, DC

Temperature range: -25°C ~ + 85°C

Insulator Resistance: 1000MΩ Min

Withstanding Voltage: 1000V AC/minute

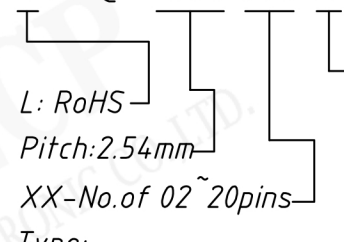
Contact Resistance: 10mΩ Max



Pin	Dimensions(mm)	
	A	B
02	2.54	5.68
03	5.08	8.22
04	7.62	10.76
05	10.16	13.30
06	12.70	15.84
07	15.24	18.38
08	17.78	20.92
09	20.32	23.46
10	22.86	26.00
11	25.40	28.54
12	27.94	31.08
13	30.48	33.62
14	32.02	36.16
15	35.56	38.70
16	38.10	41.24
17	40.64	43.78
18	43.18	46.32
19	45.72	48.86
20	48.26	51.40

Order Information:

RE - C - 2.54 - XX - H



L: RoHS

Pitch: 2.54mm

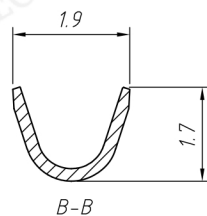
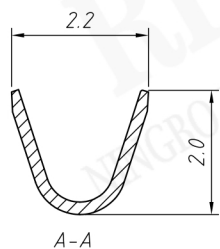
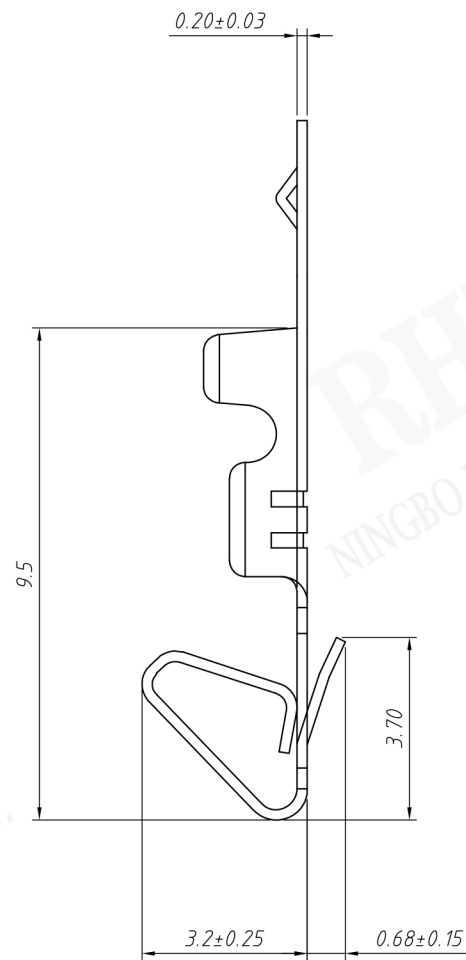
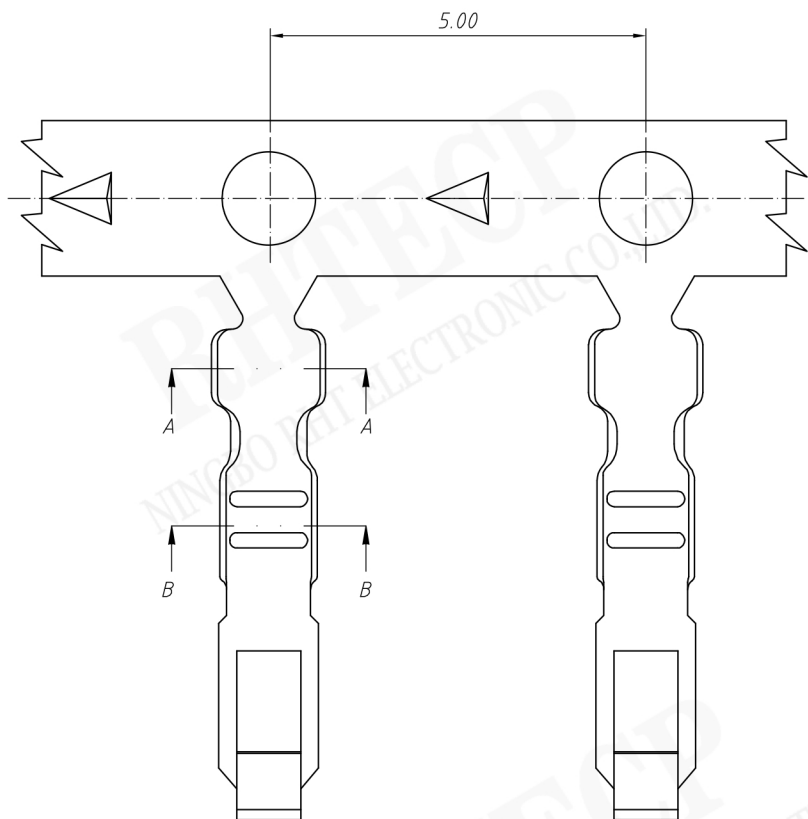
XX - No. of 02 ~ 20 pins

Type:

T - Terminal H - Housing

S - Straight male pin

R/R1/R2 - Right angle male pin



Material:

Terminal: Phosphor Bronze

Plating: Tin plated over Nickel

Applicable wires: AWG #22 ~ # 28

Insulation O.D.: 1.5mm

Qty/reel: 10000 pcs

Electrical Characteristics:

Rated Current: 4.0AMP

Voltage rating: 250V AC, DC

Temperature range: -25°C ~ + 85°C

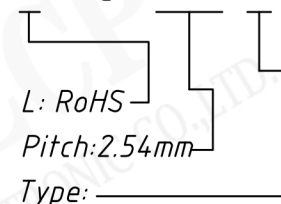
Insulator Resistance: 1000MΩ Min

Withstanding Voltage: 1000V AC/minute

Contact Resistance: 10mΩ Max

Order Information:

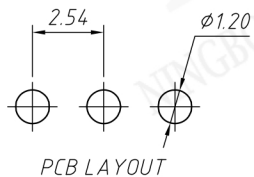
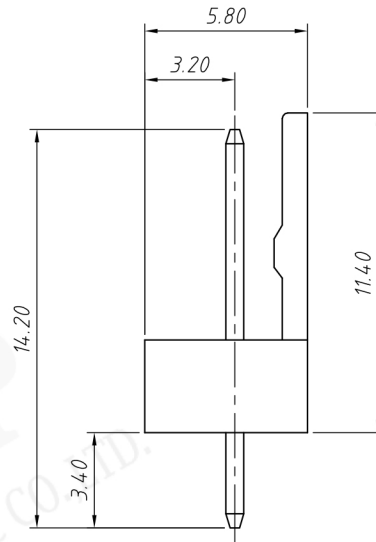
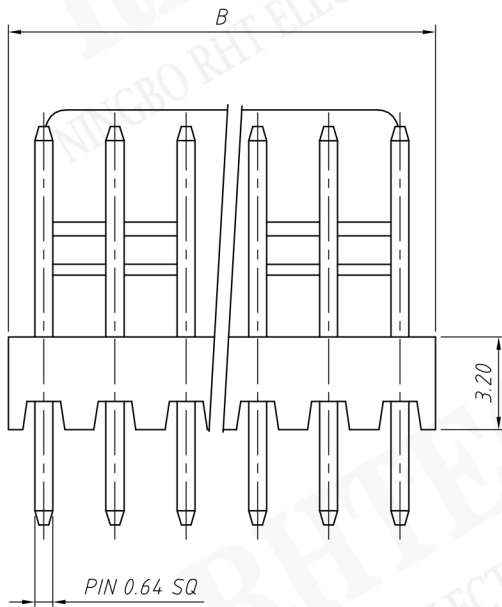
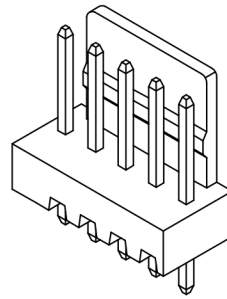
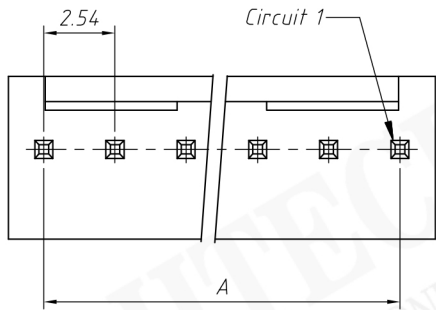
RE - C - 2.54 - T



T-Terminal H-Hosing

S-Straight male pin

R/R1/R2-Right angle male pin



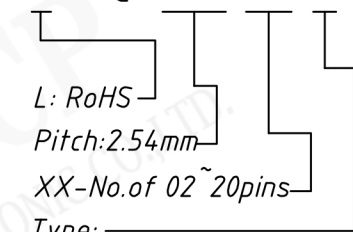
Material:
Housing: PA66, UL 94V-0
Colour: Natural or Beige
Pin: Brass, Tin Plated

Electrical Characteristics:
Rated Current: 4.0AMP
Voltage rating: 250V AC, DC
Temperature range: -25°C ~ +85°C
Insulator Resistance: 1000MΩ Min
Withstanding Voltage: 1000V AC/minute
Contact Resistance: 10mΩ Max

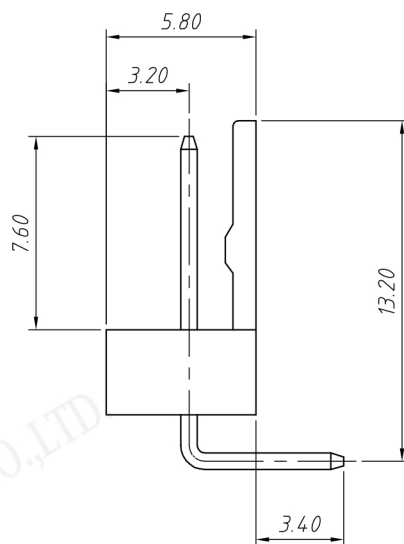
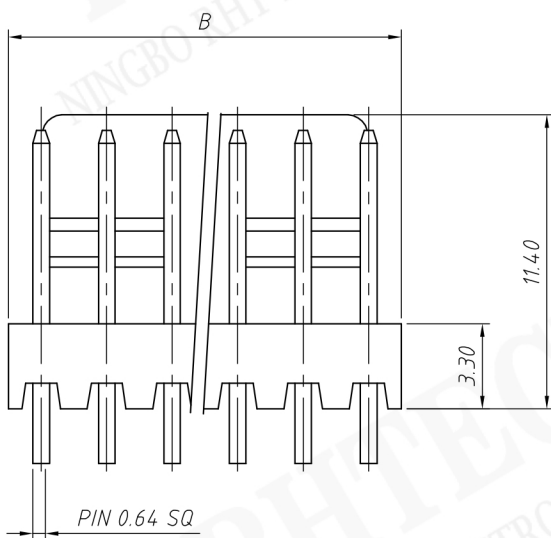
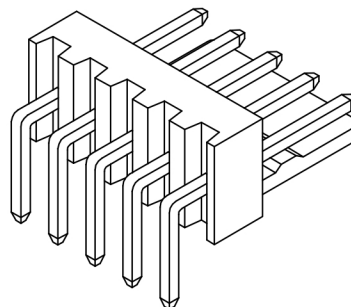
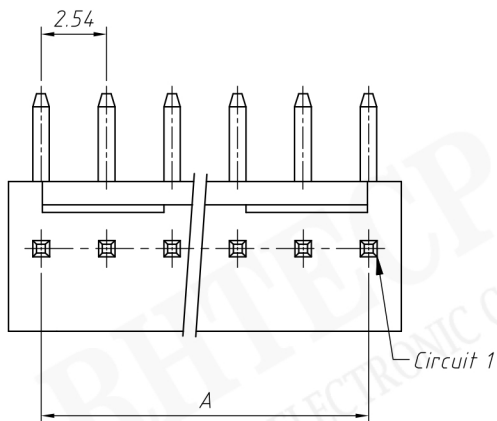
Pin	Dimensions(mm)	
	A	B
02	2.54	5.08
03	5.08	7.62
04	7.62	10.16
05	10.16	12.70
06	12.70	15.24
07	15.24	17.78
08	17.78	20.32
09	20.32	22.86
10	22.86	25.40
11	25.40	27.94
12	27.94	30.48
13	30.48	32.02
14	32.02	35.56
15	35.56	38.10
16	38.10	40.64
17	40.64	43.18
18	43.18	45.72
19	45.72	48.26
20	48.26	50.80

Order Information:

RE - C - 2.54 - XX - S



L: RoHS
Pitch: 2.54mm
XX-No. of 02 ~ 20 pins
Type: _____
T-Terminal H-Housing
S-Straight male pin
R/R1/R2-Right angle male pin



Pin	Dimensions(mm)	
	A	B
02	2.54	5.08
03	5.08	7.62
04	7.62	10.16
05	10.16	12.70
06	12.70	15.24
07	15.24	17.78
08	17.78	20.32
09	20.32	22.86
10	22.86	25.40
11	25.40	27.94
12	27.94	30.48
13	30.48	32.02
14	32.02	35.56
15	35.56	38.10
16	38.10	40.64
17	40.64	43.18
18	43.18	45.72
19	45.72	48.26
20	48.26	50.80



PCB LAYOUT

Material:

Housing:PA66,UL 94 V-0

Colour:Natrual or White

Pin:Brass, Tin Plated

Electrical Characteristics:

Rated Current:4.0AMP

Voltage rating:250V AC,DC

Temperature range:-25°C ~ + 85°C

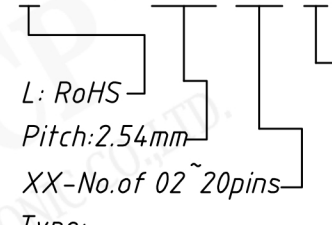
Insulator Resistance:1000MΩ Min

Withstanding Voltage:1000V AC/minute

Contact Resistance:10mΩ Max

Order Information:

RE - C - 2.54 - XX - R



L: RoHS

Pitch:2.54mm

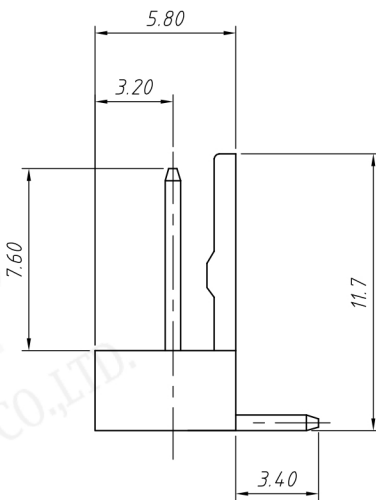
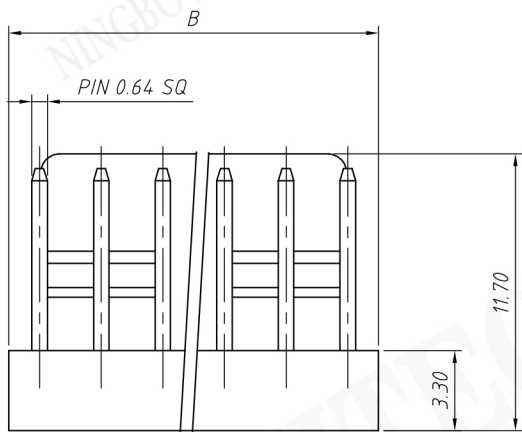
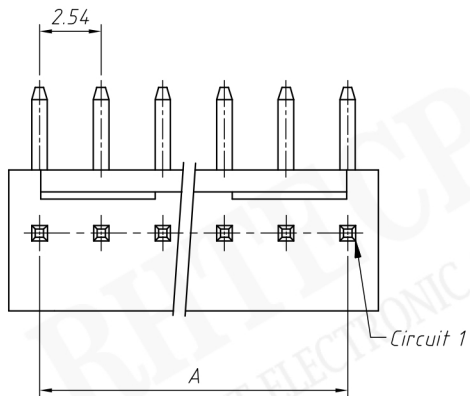
XX-No. of 02 ~ 20pins

Type:

T-Terminal H-Hosing

S-Straight male pin

R/R1/R2-Right angle male pin



PCB LAYOUT

Material:

Housing:PA66,UL94 V-0

Colour:Natrual or White

Pin:Brass,Tin Plated

Electrical Characteristics:

Rated Current:4.0AMP

Voltage rating:250V AC,DC

Temperature range:-25°C ~ + 85°C

Insulator Resistance:1000MΩ Min

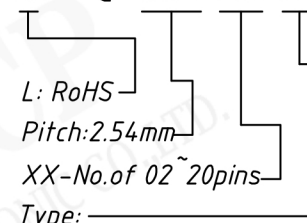
Withstanding Voltage:1000V AC/minute

Contact Resistance:10mΩ Max

Pin	Dimensions(mm)	
	A	B
02	2.54	5.08
03	5.08	7.62
04	7.62	10.16
05	10.16	12.70
06	12.70	15.24
07	15.24	17.78
08	17.78	20.32
09	20.32	22.86
10	22.86	25.40
11	25.40	27.94
12	27.94	30.48
13	30.48	32.02
14	32.02	35.56
15	35.56	38.10
16	38.10	40.64
17	40.64	43.18
18	43.18	45.72
19	45.72	48.26
20	48.26	50.80

Order Information:

RE - C - 2.54 - XX - R1



L: RoHS

Pitch:2.54mm

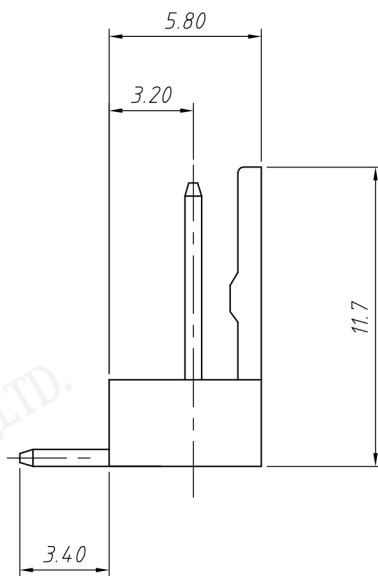
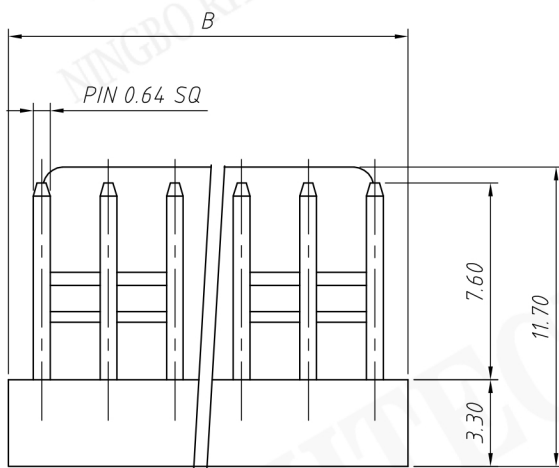
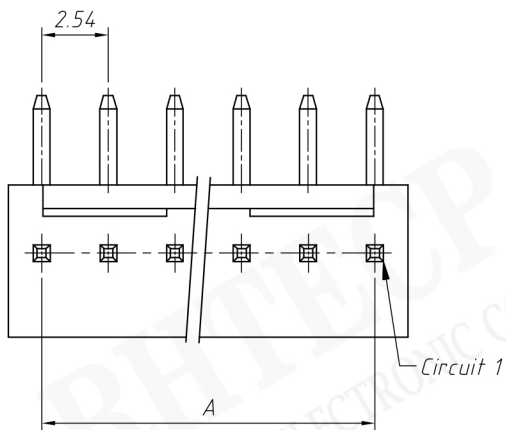
XX-No. of 02 ~ 20pins

Type:

T-Terminal H-Hosing

S-Straight male pin

R/R1/R2-Right angle male pin



PCB LAYOUT

Material:

Housing:PA66,UL 94V-0

Colour:Natrual or White

Pin:Brass,Tin Plated

Electrical Characteristics:

Rated Current:4.0AMP

Voltage rating:250V AC,DC

Temperature range:-25°C ~ + 85°C

Insulator Resistance:1000MΩ Min

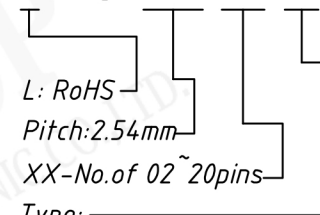
Withstanding Voltage:1000V AC/minute

Contact Resistance:10mΩ Max

Pin	Dimensions(mm)	
	A	B
02	2.54	5.08
03	5.08	7.62
04	7.62	10.16
05	10.16	12.70
06	12.70	15.24
07	15.24	17.78
08	17.78	20.32
09	20.32	22.86
10	22.86	25.40
11	25.40	27.94
12	27.94	30.48
13	30.48	32.02
14	32.02	35.56
15	35.56	38.10
16	38.10	40.64
17	40.64	43.18
18	43.18	45.72
19	45.72	48.26
20	48.26	50.80

Order Information:

RE - C - 2.54 - XX - R2



Type:

T-Terminal H-Hosing

S-Straight male pin

R/R1/R2-Right angle male pin