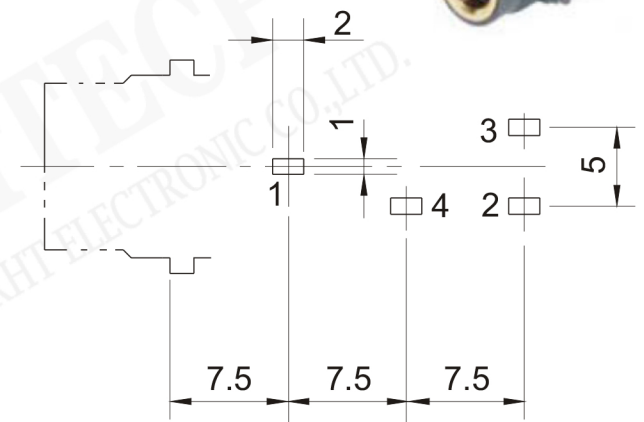
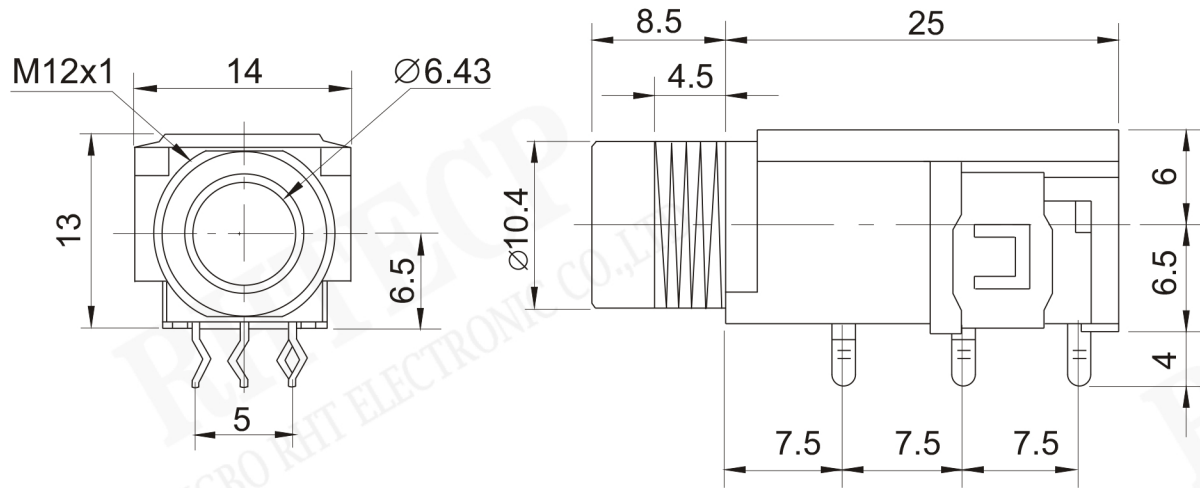
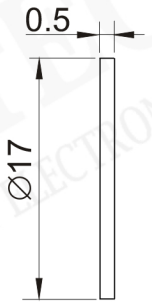
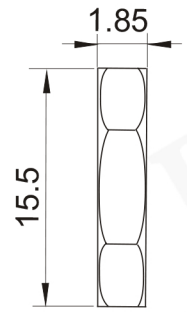
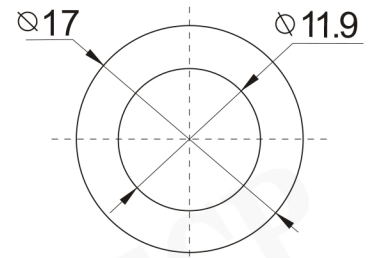
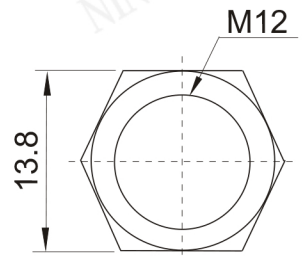


PHOTO ONLY FOR REFERENCE

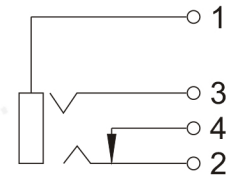


P.C.B LAND PATTERN



HEX NUT

FLAT WASHER



SCHMATIC

DSND | ZHANGGUOJING | DATE  
 CHKD | | DATE  
 APPD | | DATE

Specifications:  
 Rating:DC50V 1A  
 Force:5-35N  
 Contact resistance:  
 Less than30m Ω  
 Insulation resistance:  
 Over100M Ωon DC 500V measured.  
 Voltage withstand:  
 AC 500V For 1minute,

9	FLAT WASHER	1	STEEL	T=0.5	MB:Ni	
8	HEX NUT	1	ZINC ALLOY		MB:Ni	
7	SLEEVE	1	BRASS		MB:GOLD	
6	T TERMINAL-R	1	BRASS	T=0.3	MB:Cu,Ag	No.4
5	RING TERMINAL	1	BRONZE	Y=0.3	MB:Cu,Ag	No.3
4	TIP SPPING	1	BRONZE	Y=0.35	MB:Cu,Ag	No.2
3	EARTH SPPING	1	BRONZE	Y=0.3	MB:Cu,Ag	No.1
2	COVER	1	PBT	94V-0	BLACK	
1	HOUSING	1	PBT	94V-0	BLACK	
LTR	PART NAME	QTY	MATERIAL	FINISH	REMARK	