



SMA Connector Series

RE-C-SMA017 SMA Connector Series

Electrical Specifications

Impedance: 50 Ω

Frequency Range

Semi-rigid cable: 0-18 GHz

Flexible cables: 0-12.4 GHz

Voltage Rating : 335 volts rms.

Dielectric Withstanding Voltage : 500 volts rms.

VSWR :

1.15 +0 .02 f (GHz) for Straight connector typical

1.25 +0 .025 f (GHz) for Right angle connector typical

Contact Resistance: Center contact: 2.0 mΩ

Body: 2.0 mΩ

Insulation Resistance: 5,000 MΩ

Mechanical Specifications

Mating: 1/4"-36 UNS thread coupling

Cable retention: 6kgf typical

Durability: 500 Cycles Min.

Coupling nut retention: 18kgf Min.

Temperature Range: - 55°C to +155°C

Material

Connector body: Brass per QQ-B-626 ,gold Plating or nickel

Center contact Male: Brass, gold Plating

Center contact Female: Beryllium copper, gold Plating

Insulator: PTFE

Gasket: Silicone rubber

Crimp Ferrule: Annealed copper

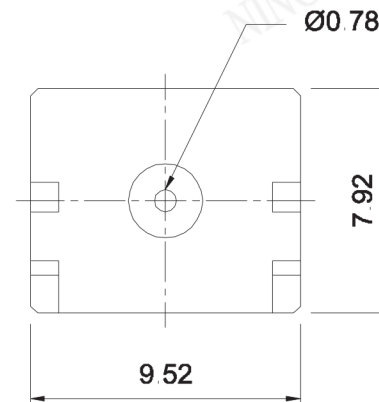
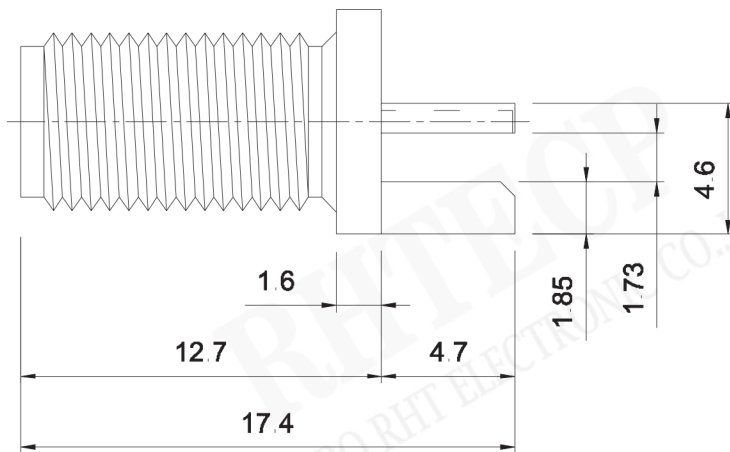
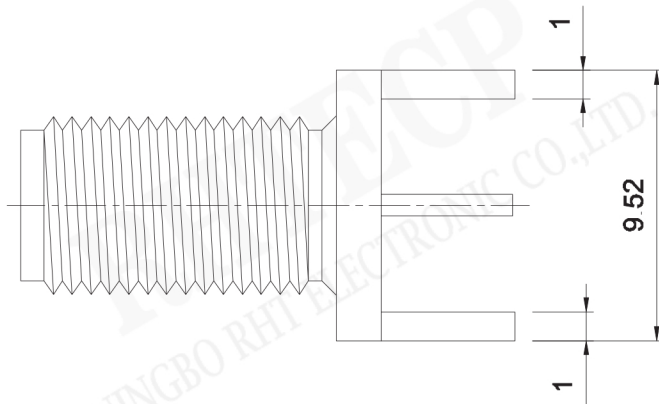
ORDER INFORMATION

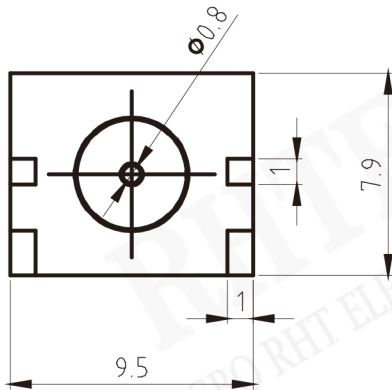
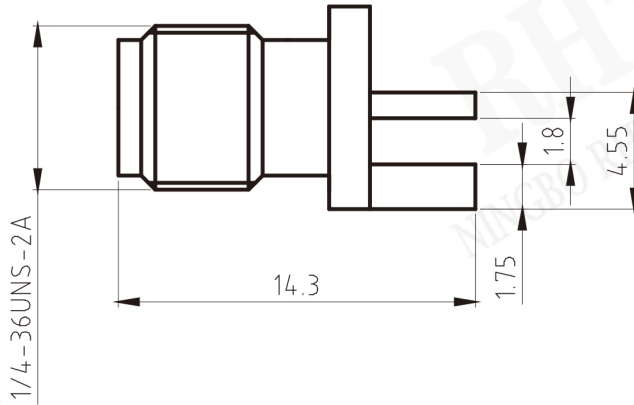
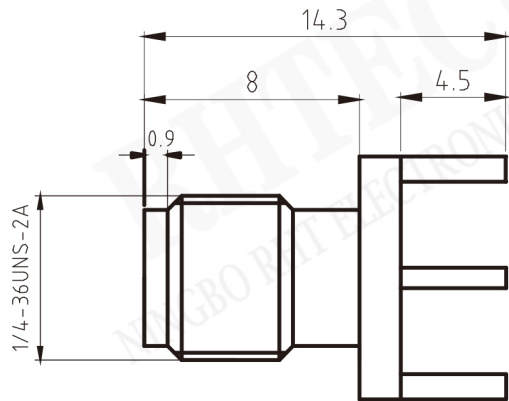
ProductNO.: RE-C-SMA017-L17.4

Pos. NO. _____

SMA Connector Type _____

Length: 17.4mm





SMA Connector Series

RE-C-SMA017 PCB Mount SMA Connector (Jack,Female,50Ω)

Electrical Specifications:

Impedance: 50 Ω
 Frequency Range Max: 18 GHz
 Voltage Rating : 335 volts rms.
 Dielectric Withstanding Voltage : 500 volts rms.
 VSWR : 1.15 +0.02 f (GHz) for Straight connector typical
 1.25 +0.025 f (GHz) for Right angle connector typical
 Contact Resistance Center contact: 2.0 mΩ
 Body: 2.0 mΩ
 Insulation Resistance: 5,000 MΩ
 Temperature Range: - 55°C to +155°C

Material:

Connector body: Brass per QQ-B-626 ,gold Plating or nickel
 Center contact Male: Brass,gold Plating
 Center contact Female: Beryllium copper,gold Plating

ORDER INFORMATION

Product NO.: RE-C-SMA017-L14.3

Pos. NO. _____

PCB Mount SMA Connector (Jack,Female,50Ω)

Length: 14.3mm