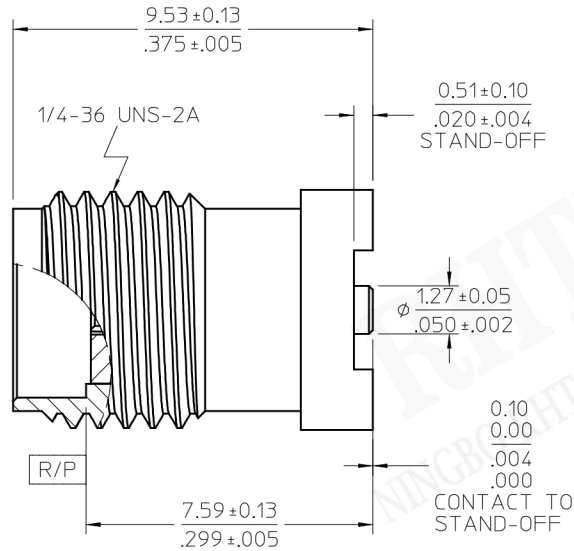


RECOMMENDED PCB LAYOUT



MATERIALS & FINISHES

BODY: BRASS

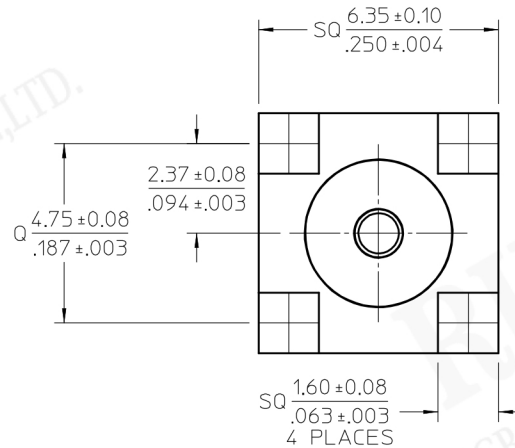
PLATED: SEE TABLE

CONTACT: BERYLLIUM COPPER

PLATED: GOLD

INSULATOR: TEFLON

KAPTON: POLYIMIDE FILM
(ON -1355 ONLY)

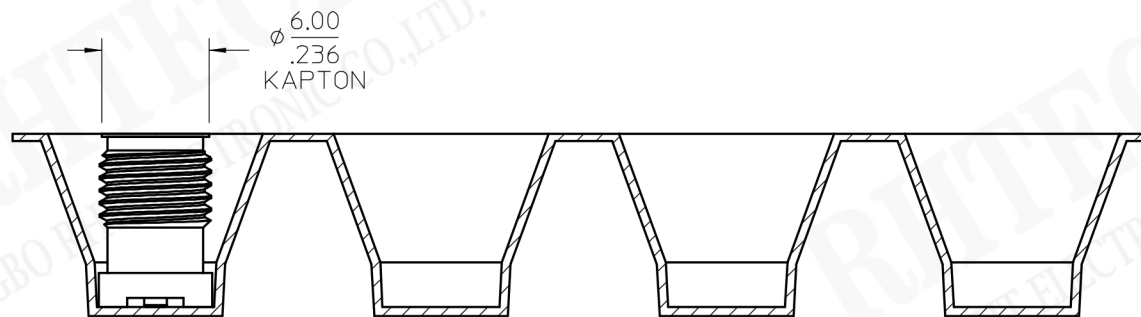
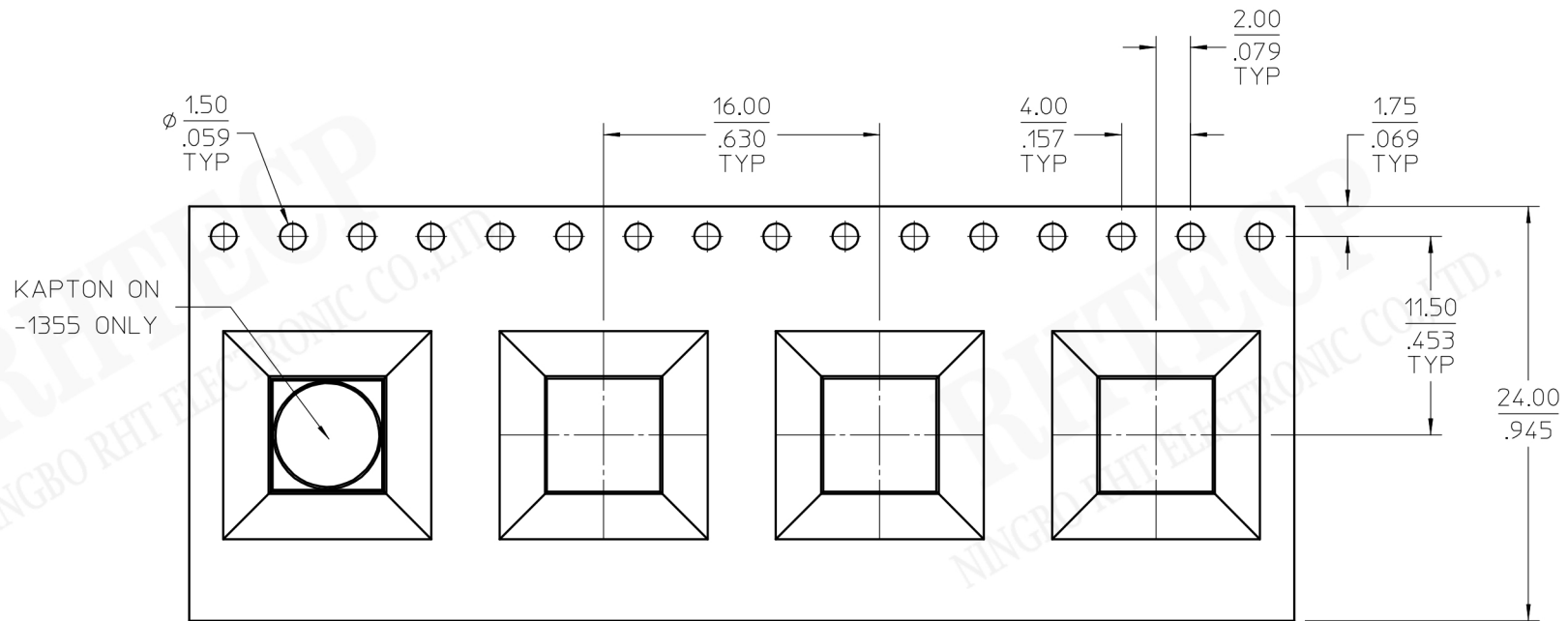


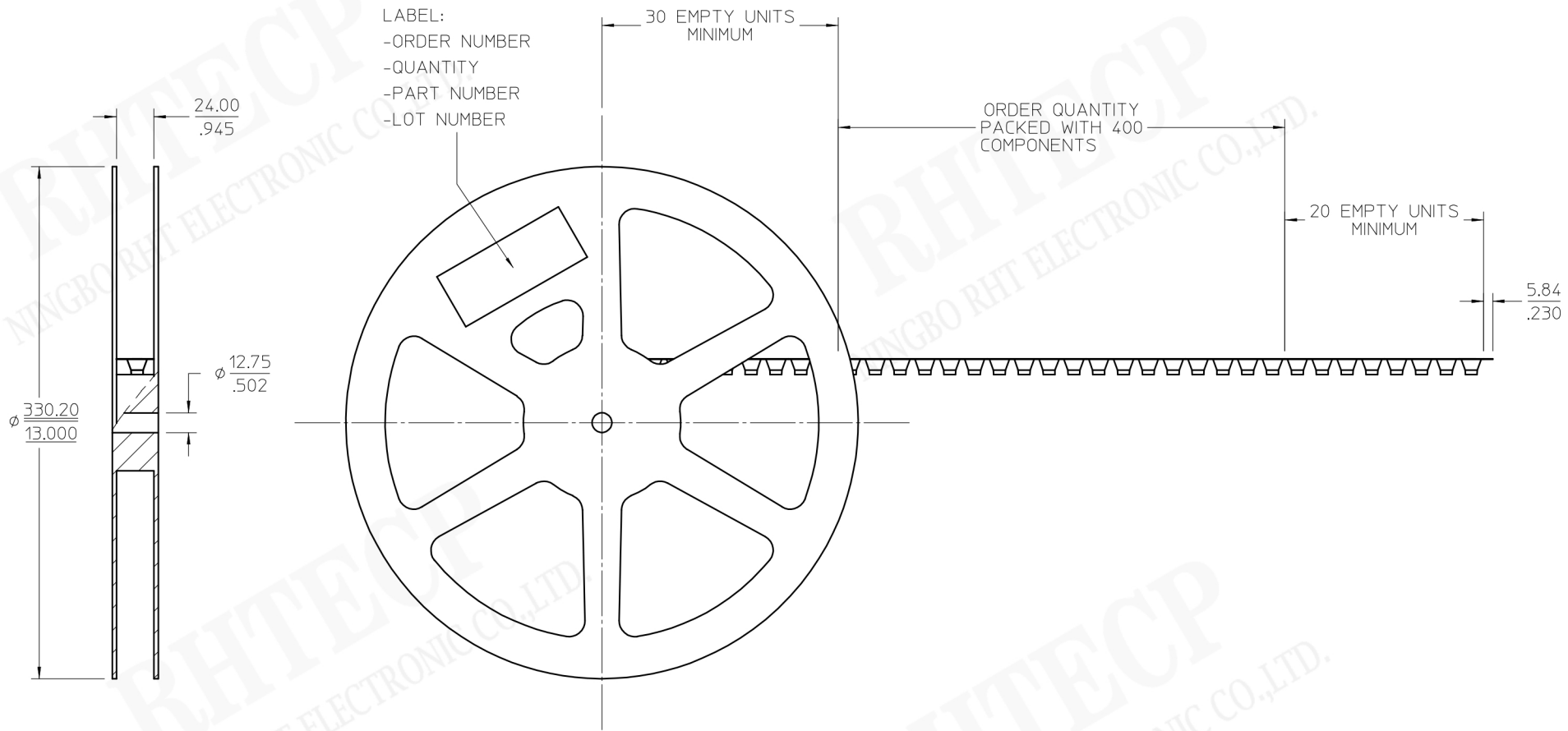
| | |
|------------|---|
| 73251-1355 | T & R W/KAPTON (400 PCS / REEL) BODY GOLD |
| 73251-1354 | TAPE & REEL (400 PCS / REEL) BODY NICKEL |
| 73251-1353 | TRAY PACK (80 PCS / TRAY) / BODY NICKEL |
| 73251-1352 | ONE PIECE 73251-1350 PER BAG / BODY GOLD |
| 73251-1351 | TAPE & REEL (400 PCS / REEL) / BODY GOLD |
| 73251-1350 | TRAY PACK (80 PCS / TRAY) / BODY GOLD |
| PART NO | TAPE & REEL (400 PCS / REEL) / BODY GOLD |

| | |
|--------------------------|-------------|
| MIL-STD-348A, FIG. 310.2 | INTERFACE |
| SPECIFICATION | DESCRIPTION |

RHTECP NINGBO RHT ELECTRONIC CO.,LTD

| | | | | | | |
|----------|---------|---------------|-----------|------------|--|--|
| UNITS:mm | | SHEET SIZE:A4 | | SCALE: --- | | First angle projection CONNECTOR |
| > 0~ 3 | > 3~ 18 | > 18~ 50 | > 50~ 120 | | | |
| ± 0.12 | ± 0.15 | ± 0.3 | ± 0.5 | | | |





| UNITS:mm | | SHEET SIZE:A4 | | SCALE: --- | |
|----------|---------|---------------|-----------|------------|--|
| > 0~ 3 | > 3~ 18 | > 18~ 50 | > 50~ 120 | | |
| ± 0.12 | ± 0.15 | ± 0.3 | ± 0.5 | | |