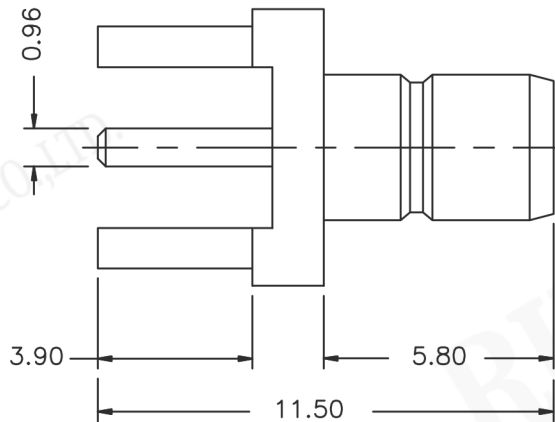
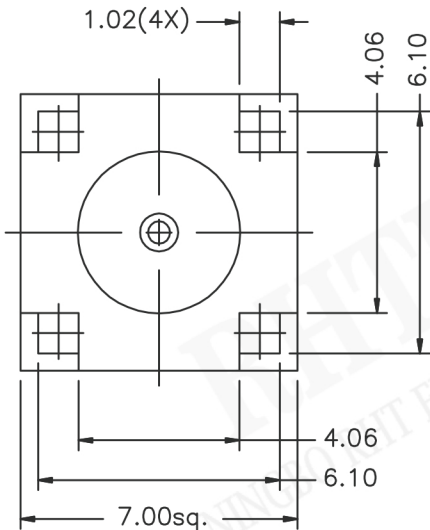


PCB MOUNTING HOLE



SMBCconnectorSeries

RE-C-SMB004 SMBCconnectorSeries

Electrical Specifications

Impedance: 50Ω

Frequency Range: 0-4GHz with low reflection; usable to 10.0GHz

Voltage Rating for RG-188/U Cable:

335 volts at sea level and 85 volts at 70,000 feet

Dielectric Withstanding Voltage: RG-196: 750VRMS;

RG-188: 1,000VRMS

VSWR: Straight connector, RG-196/U: 1.30±0.04f(GHz)

Right angle connector, RG-196/U: 1.45±0.06f(GHz)

Straight connector, RG-188/U: 1.25±0.04f(GHz)

Right angle connector, RG-188/U: 1.35±0.04f(GHz)

Contact Resistance:

Center contact: 6.0mΩ initial, 8.0 after environmental;

Outer contact: 1.0mΩ initial, 1.5 after environmental

Braid to body: 1.0mΩ initial, after environmental N/A

Insulation Resistance: 1,000MΩ Min.

Insertion Loss: Straight connector: 0.30dB@1.5GHz

Right angle connector: 0.60dB@1.5GHz

RF Leakage: -55dB Min. @2-3GHz

Mechanical

Mating: Snap-on coupling per MIL-STD-348

Braid/Jacket Cable Affixment: Hex crimp

Center Conductor Cable Affixment: Solder

Engagement Forces: Engagement: 14lbs maximum

Disengagement: 2lbs minimum

Durability: 500 cycles Min.

Temperature Range: -65°C to +165°C

Material

Center Contact:

Female: beryllium copper, gold-plated

Male: brass or beryllium copper, gold-plated

Outer Contact Plating: Nickel or gold plating

Body: Brass or zinc

Body Plating: Nickel or gold plating

Insulator: TFE

Crimp Ferrule: Annealed copper alloy

ORDER INFORMATION

Product NO.: RE-C-SMB004

Pos. NO. _____