

PHOTO ONLY FOR REFERENCE

NOTE:

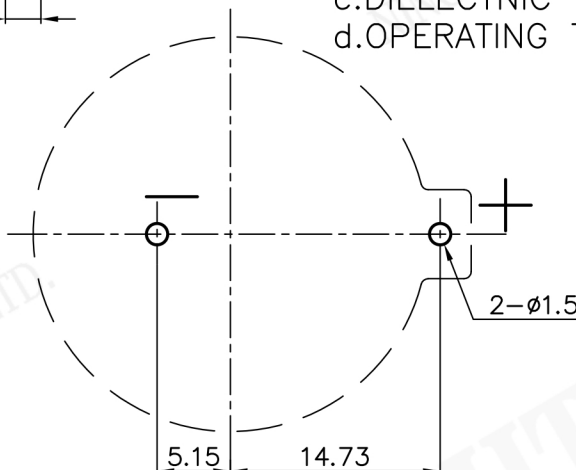
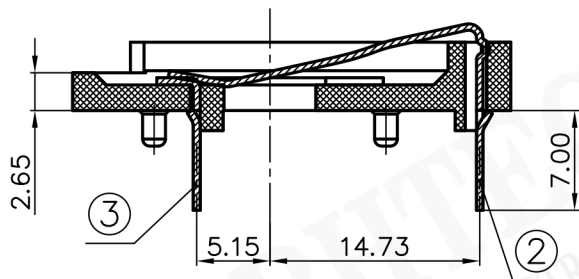
1.MATERIAL:

- a.HOUSING:PBT
- b.CONTACT:Mn Steel  
(SURFACE PLATING: Ni100u"-120u")

SEE ORDERING INFORMATION

2.ELECTRIC:

- a.CONTACT RESISTANCE: 30 MILLIOHMS MAX
- b.INSULATION RESISTANCE: 1000 MEGA OHMS MIN
- c.DIELECTNIC VOLTAGE: 500V AC ONE SEC LEVEL
- d.OPERATING TEMPERATURE: -25°C~ +85°C



PCB Layout Diagram  
Top View

UNLESS OTHERWISE SPECIFIED TOLERANCES

DECIMALS: ANGLES:  
X :±0.30X :±1°  
X.X :±0.25 X.X:±0.5°  
X.XX :±0.20  
X.XXX:±0.10

③	TERMINAL(-)	1	Mn Steel, T=0.50mm	Ni Plating	WEIGHT:2.92g
②	TERMINAL(+)	1	Mn Steel, T=0.50mm	Ni Plating	
①	HOUSING	1	PBT	BLACK	
NO.	PART NAME	Q'TY	MATERIAL	PLATING & COLOR	SHEET 1 OF 1

UNITS:mm	SHEET SIZE:A4		SCALE: ---		First angle projection COIN CELL HOLDER
> 0~ 3	> 3~ 18	> 18~ 50	> 50~ 120		
± 0.12	± 0.15	± 0.3	± 0.5		