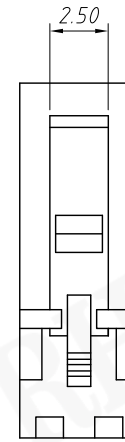


Pin	Dimensions(mm)	
	A	B
02	2.54	5.08
03	5.08	7.62
04	7.62	10.16
05	10.16	12.70
06	12.70	15.24
07	15.24	17.78
08	17.78	20.32
09	20.32	22.86
10	22.86	25.40
11	25.40	27.94
12	27.94	30.48
13	30.48	32.02
14	32.02	35.56
15	35.56	38.10
16	38.10	40.64
17	40.64	43.18
18	43.18	45.72
19	45.72	48.26
20	48.26	50.80



Material:

Housing: PA66, UL 94 V-0

Electrical Characteristics:

Rated Current: 3.0AMP

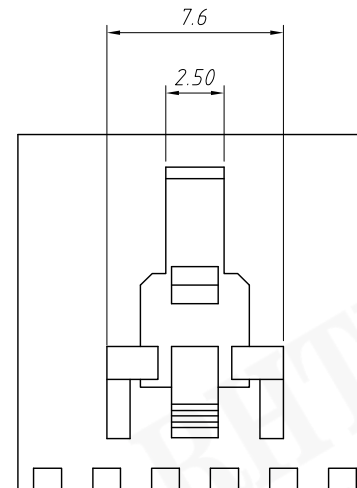
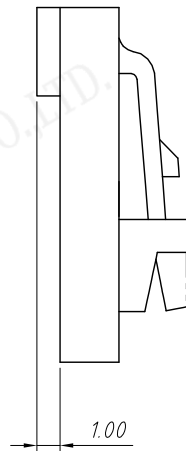
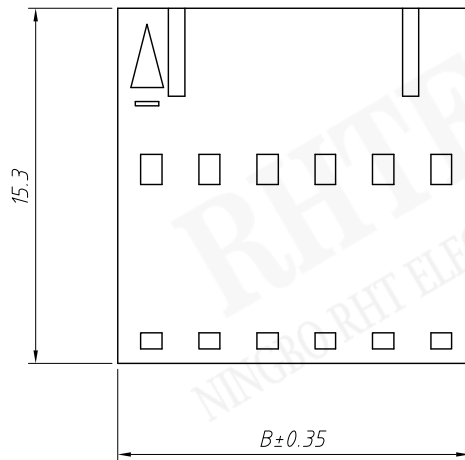
Voltage rating: 250V AC, DC

Temperature range: -25°C ~ + 85°C

Insulator Resistance: 1000MΩ Min

Withstanding Voltage: 600V AC/minute

Contact Resistance: 20mΩ Max



Order Information:

RE - C - XL2-2.54-XX-MH

L: RoHS

Pitch: 2.54mm

XX-No. of 02 ~ 20pins

Type:

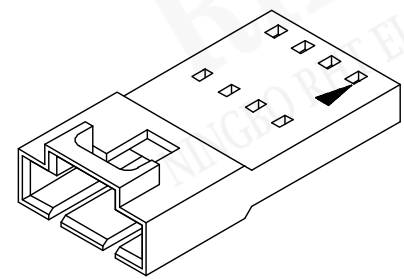
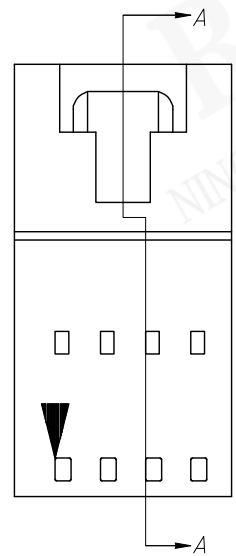
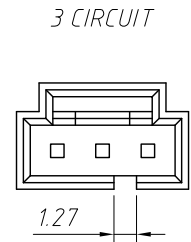
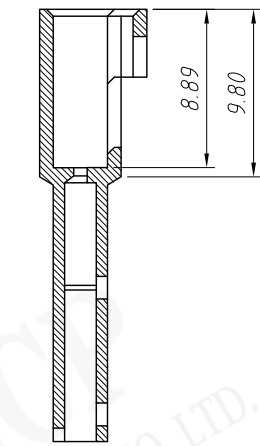
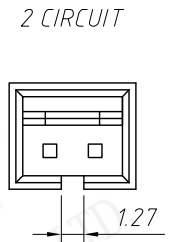
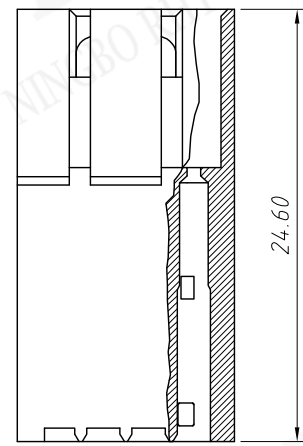
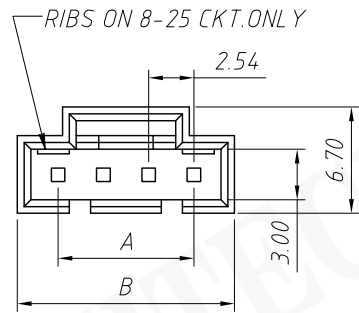
MH/FH-Hosing MT/FT-Terminal

S-Straight male pin

R RW-Right angle male pin

VM-Vertical SMT Pin

RM-Horizontal SMT Pin



Pin	Dimensions(mm)	
	A	B
02	2.54	7.32
03	5.08	9.86
04	7.62	12.40
05	10.16	14.94
06	12.70	17.48
07	15.24	20.02
08	17.78	22.56
09	20.32	25.10
10	22.86	27.64
11	25.40	29.48
12	27.94	32.72
13	30.48	35.26
14	32.02	37.80
15	35.56	40.34
16	38.10	42.88
17	40.64	45.42
18	43.18	47.96
19	45.72	50.50
20	48.26	53.04

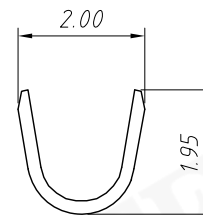
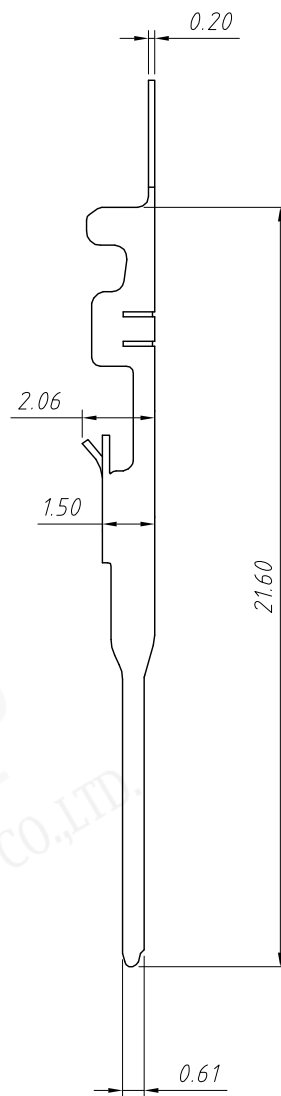
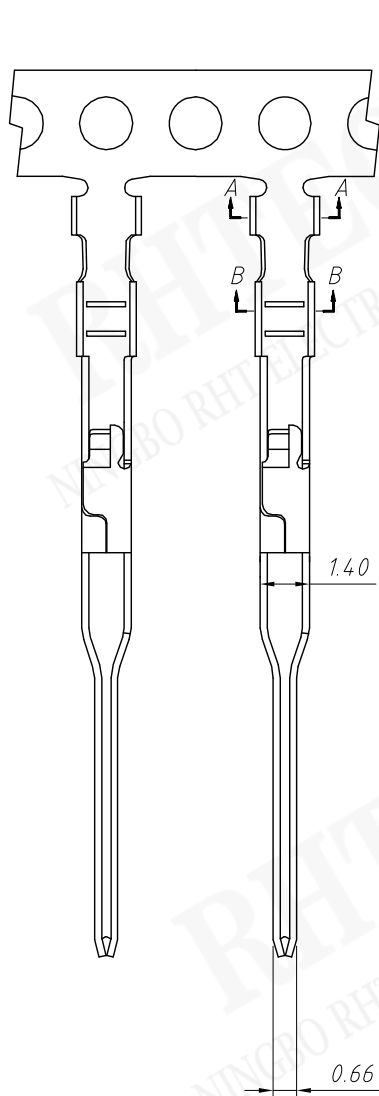
Material:  
Housing:PA66,UL 94 V-0,Black

Electrical Characteristics:  
Rated Current:3.0AMP  
Voltage rating:250V AC,DC  
Temperature range:-25°C ~ + 85°C  
Insulator Resistance:1000MΩ Min  
Withstanding Voltage:600V AC/minute  
Contact Resistance:20mΩ Max

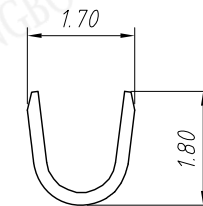
Order Information:  
RE - C - XL2-2.54-XX-FH

L: RoHS  
Pitch:2.54mm  
XX-No. of 02~20pins  
Type:

MH/FH-Hosing MT/FT-Terminal  
S-Straight male pin  
R RW-Right angle male pin  
VM-Vertical SMT Pin  
RM-Horizontal SMT Pin



SEC:A-A



SEC:B-B

**Material:**

Terminal: Phosphor Bronze

Plating: Tin plated over Gold plated

Applicable wires: AWG #18 ~ #22

Insulation O.D.: 2.10mm

Qty/reel: 10000 pcs

**Electrical Characteristics:**

Rated Current: 3.0AMP

Voltage rating: 250V AC, DC

Temperature range: -25°C ~ +85°C

Insulator Resistance: 1000MΩ Min

Withstanding Voltage: 600V AC/minute

Contact Resistance: 20mΩ Max

**Order Information:**

RE - C - XL2-2.54-MT

L: RoHS

Pitch: 2.54mm

Type:

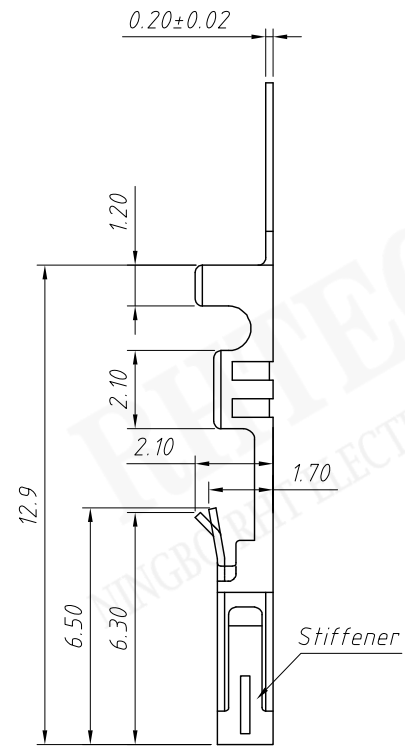
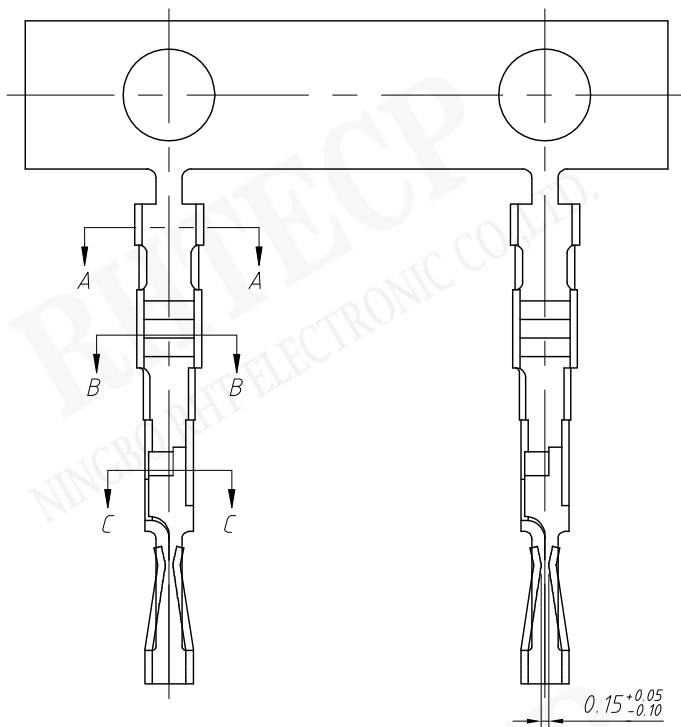
MH/FH-Hosing MT/FT-Terminal

S-Straight male pin

R RW-Right angle male pin

VM-Vertical SMT Pin

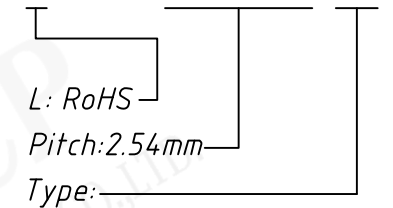
RM-Horizontal SMT Pin



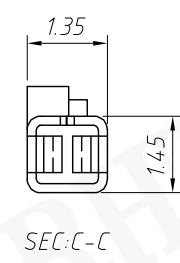
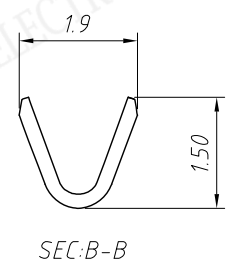
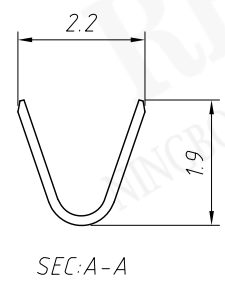
**Material:**  
 Terminal: Phosphor Bronze  
 Plating: Tin plated over Gold plated  
 Applicable wires: AWG #28 ~ #22  
 Insulation O.D: 1.6mm  
 Qty/reel: 15000 pcs

**Electrical Characteristics:**  
 Rated Current: 3.0AMP  
 Voltage rating: 250V AC, DC  
 Temperature range: -25°C ~ +85°C  
 Insulator Resistance: 1000MΩ Min  
 Withstanding Voltage: 600V AC/minute  
 Contact Resistance: 20mΩ Max

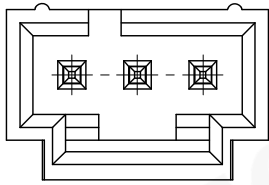
**Order Information:**  
 RE - C - XL2 - 2.54 - FT



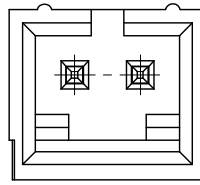
L: RoHS  
 Pitch: 2.54mm  
 Type:  
 MH/FH-Hosing MT/FT-Terminal  
 S-Straight male pin  
 R RW-Right angle male pin  
 VM-Vertical SMT Pin  
 RM-Horizontal SMT Pin



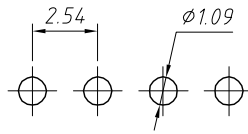
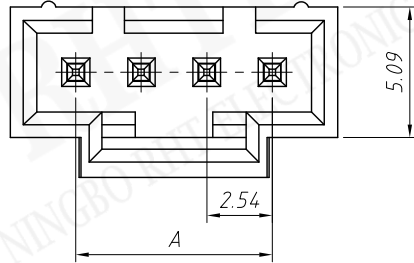
UNITS:mm		SHEET SIZE:A4		SCALE: ---	
> 0 ~ 3	> 3 ~ 18	> 18 ~ 50	> 50 ~ 120		
0.12	0.15	0.3	0.5		



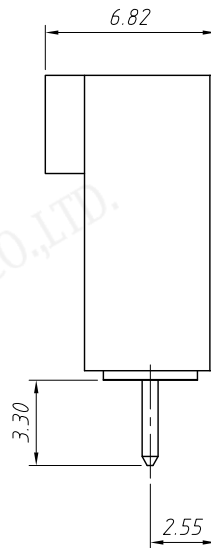
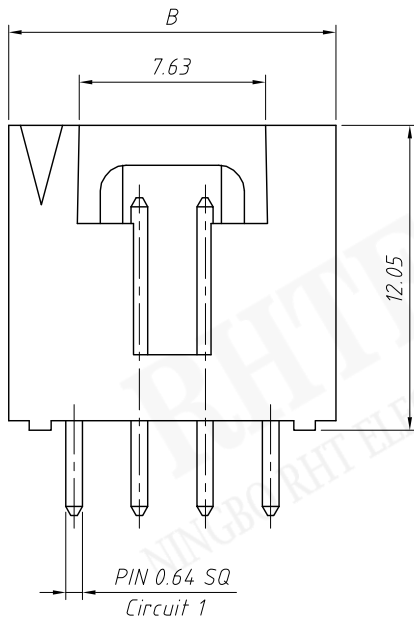
03P



02P



PCB LAYOUT



Pin	Dimensions(mm)	
	A	B
02	2.54	7.63
03	5.08	10.17
04	7.62	12.71
05	10.16	15.25
06	12.70	17.79
07	15.24	20.33
08	17.78	22.87
09	20.32	25.41
10	22.86	27.95
11	25.40	30.49
12	27.94	33.03
13	30.48	35.57
14	32.02	38.11
15	35.56	40.65

Material:

Housing:PA66,UL 94V-0,Balck

Pin:Brass,Gold plated

Electrical Characteristics:

Rated Current:3.0AMP

Voltage rating:250V AC,DC

Temperature range:-25°C ~ + 85°C

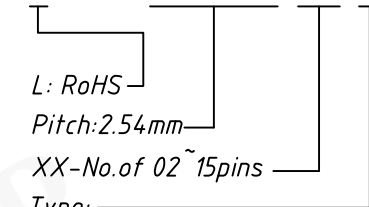
Insulator Resistance:1000MΩ Min

Withstanding Voltage:600V AC/minute

Contact Resistance:20mΩ Max

Order Information:

RE - C -XL2-2.54-XX-S



Type:

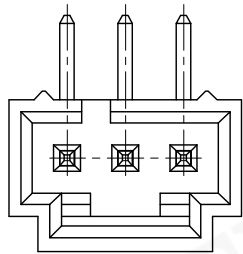
MH/FH-Hosing MT/FT-Terminal

S-Straight male pin

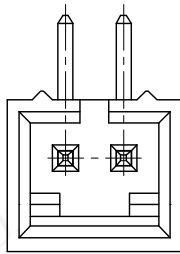
R RW-Right angle male pin

VM-Vertical SMT Pin

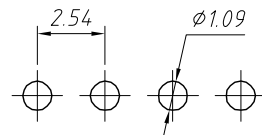
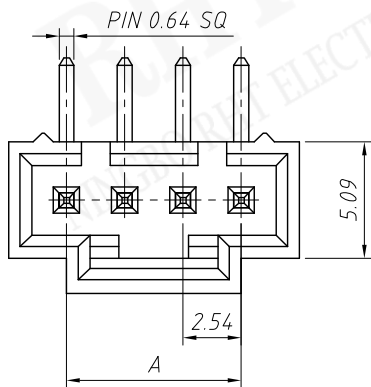
RM-Horizontal SMT Pin



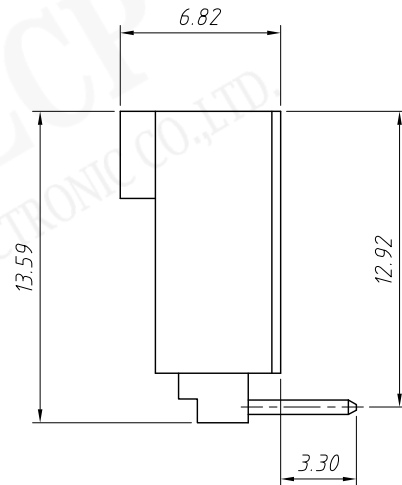
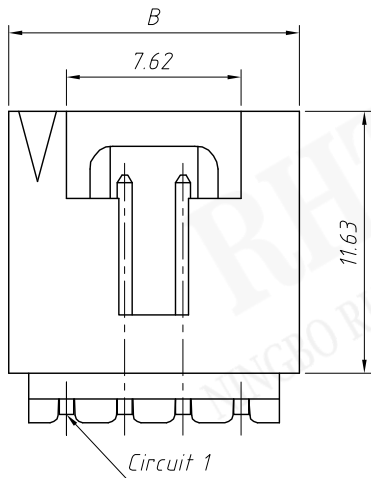
03P



02P



PCB LAYOUT



Pin	Dimensions(mm)	
	A	B
02	2.54	7.59
03	5.08	10.13
04	7.62	12.67
05	10.16	15.21
06	12.70	17.75
07	15.24	20.29
08	17.78	22.83
09	20.32	25.37
10	22.86	27.91
11	25.40	30.45
12	27.94	32.99
13	30.48	35.53
14	32.02	38.07
15	35.56	40.61

Material:

Housing:PA66,UL94V-0,Balck

Pin:Brass,Gold plated

Electrical Characteristics:

Rated Current:3.0AMP

Voltage rating:250V AC,DC

Temperature range:-25°C ~ + 85°C

Insulator Resistance:1000MΩ Min

Withstanding Voltage:600V AC/minute

Contact Resistance:20mΩ Max

Order Information:

RE - C - XL2-2.54-XX-R

L: RoHS

Pitch:2.54mm

XX-No.of 02~15pins

Type:

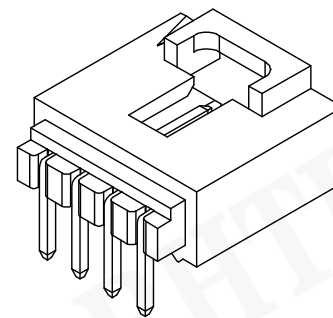
MH/FH-Hosing MT/FT-Terminal

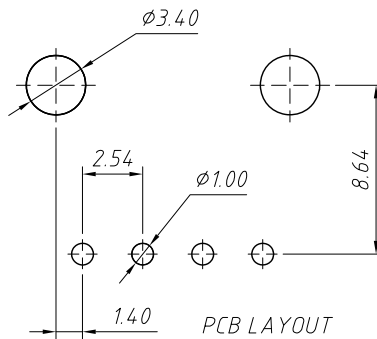
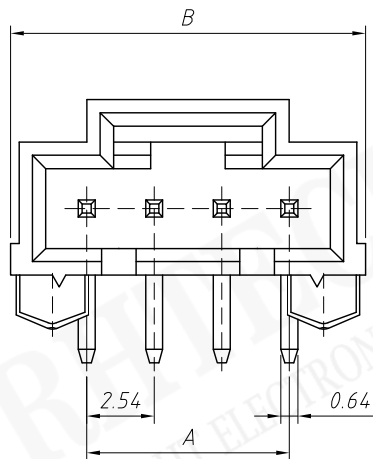
S-Straight male pin

R RW-Right angle male pin

VM-Vertical SMT Pin

RM-Horizontal SMT Pin

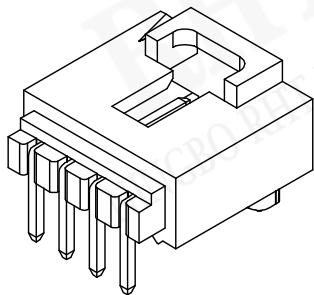
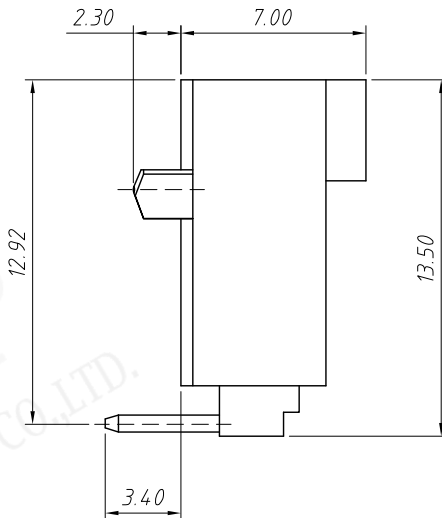
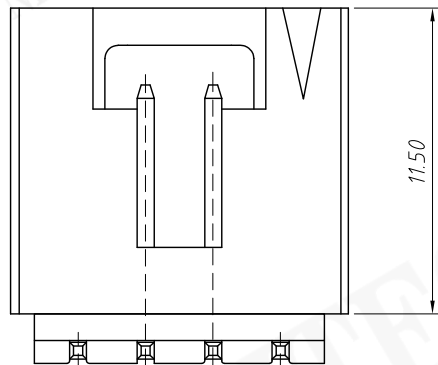




Pin	Dimensions(mm)	
	A	B
02	2.54	8.53
03	5.08	11.07
04	7.62	13.61
05	10.16	16.51
06	12.70	18.69
07	15.24	21.23
08	17.78	23.77
09	20.32	26.31
10	22.86	28.85
11	25.40	31.39
12	27.94	33.93
13	30.48	36.47
14	32.02	39.01
15	35.56	41.55

**Material:**  
Housing: PA4 T, UL 94 V-0, Balck  
Pin: Brass, Gold plated

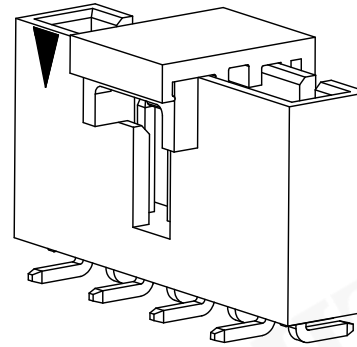
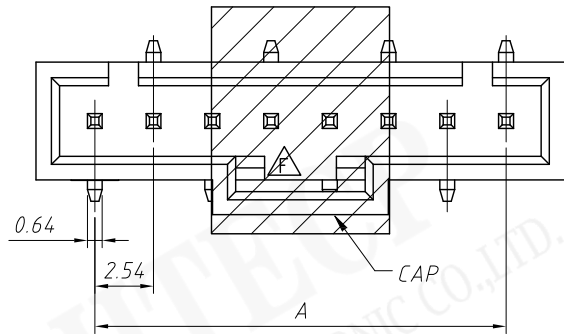
**Electrical Characteristics:**  
Rated Current: 3.0AMP  
Voltage rating: 250V AC, DC  
Temperature range: -25°C ~ + 85°C  
Insulator Resistance: 1000MΩ Min  
Withstanding Voltage: 600V AC/minute  
Contact Resistance: 20mΩ Max



**Order Information:**  
RE - C - XL2-2.54-XX-RW

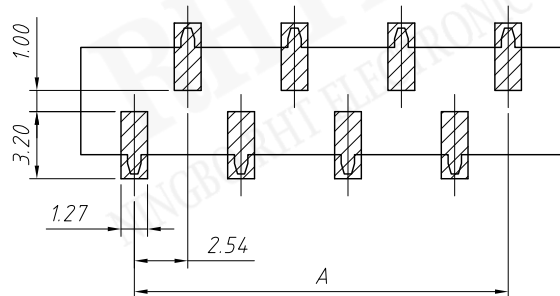
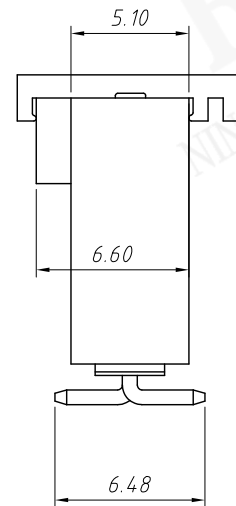
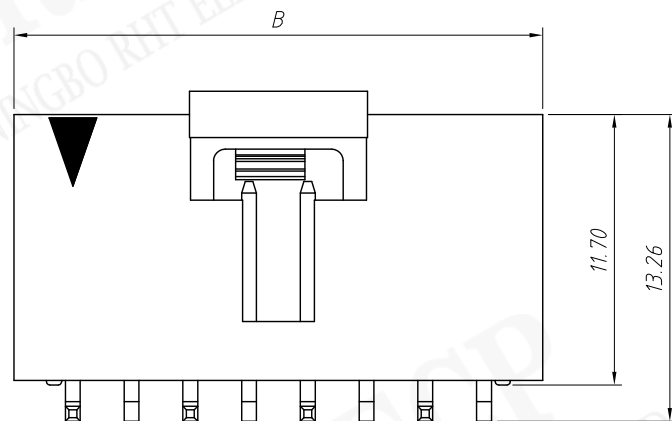
L: RoHS  
Pitch: 2.54mm  
XX-No. of 02 ~ 15pins  
Type: \_\_\_\_\_

MH/FH-Hosing MT/FT-Terminal  
S-Straight male pin  
R RW-Right angle male pin  
VM-Vertical SMT Pin  
RM-Horizontal SMT Pin



Material:  
Housing: PA4T, UL 94V-0, Black  
Pin: Brass, Gold plated or Tin plated

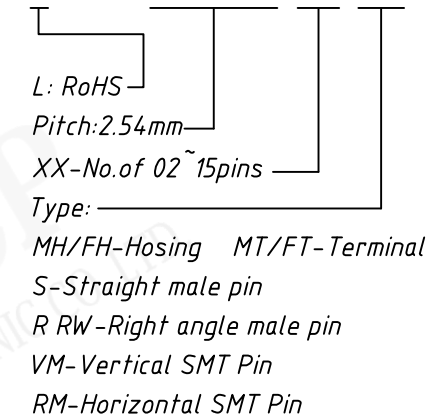
Electrical Characteristics:  
Rated Current: 3.0AMP  
Voltage rating: 250V AC, DC  
Temperature range: -25°C ~ +85°C  
Insulator Resistance: 1000MΩ Min  
Withstanding Voltage: 600V AC/minute  
Contact Resistance: 20mΩ Max



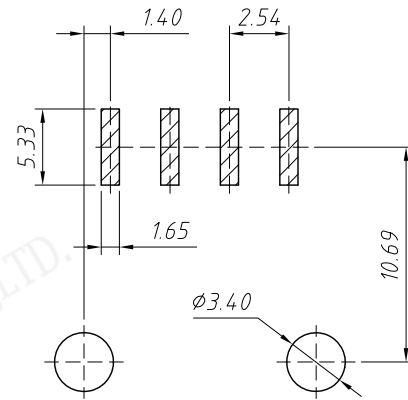
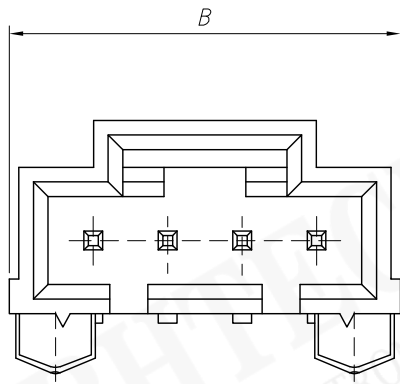
PCB LAYOUT

Pin	Dimensions(mm)	
	A	B
02	2.54	7.62
03	5.08	10.16
04	7.62	12.70
05	10.16	15.24
06	12.70	17.78
07	15.24	20.32
08	17.78	22.86
09	20.32	25.40
10	22.86	27.94
11	25.40	30.48
12	27.94	33.02
13	30.48	35.56
14	32.02	38.10
15	35.56	40.64

Order Information:  
RE - C - XL2 - 2.54 - XX - VM





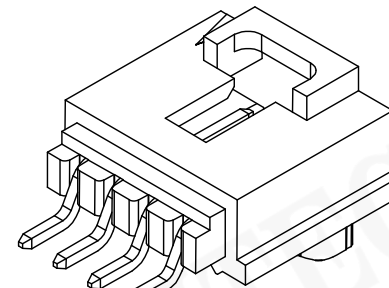
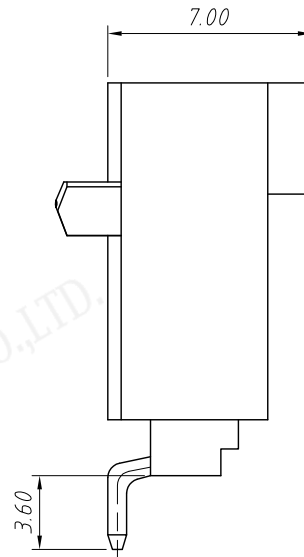
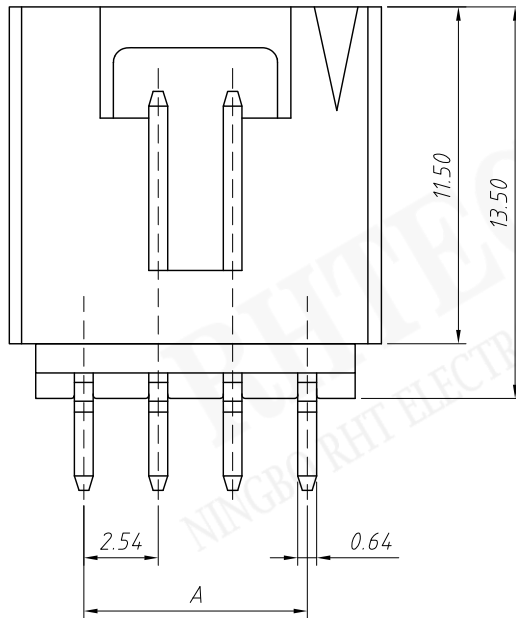


PCB LAYOUT

Pin	Dimensions(mm)	
	A	B
02	2.54	8.53
03	5.08	11.07
04	7.62	13.61
05	10.16	16.51
06	12.70	18.69
07	15.24	21.23
08	17.78	23.77
09	20.32	26.31
10	22.86	28.85
11	25.40	31.39
12	27.94	33.93
13	30.48	36.47
14	32.02	39.01
15	35.56	41.55

**Material:**  
Housing: PA4 T, UL 94 V-0, Black  
Pin: Brass, Gold plated or Tin plated

**Electrical Characteristics:**  
Rated Current: 3.0AMP  
Voltage rating: 250V AC, DC  
Temperature range: -25°C ~ +85°C  
Insulator Resistance: 1000M $\Omega$  Min  
Withstanding Voltage: 600V AC/minute  
Contact Resistance: 20m $\Omega$  Max



**Order Information:**  
RE - C - XL2 - 2.54 - XX - RM

L: RoHS  
Pitch: 2.54mm  
XX - No. of 02 ~ 15pins  
Type: \_\_\_\_\_  
MH/FH - Housing MT/FT - Terminal  
S - Straight male pin  
R RW - Right angle male pin  
VM - Vertical SMT Pin  
RM - Horizontal SMT Pin