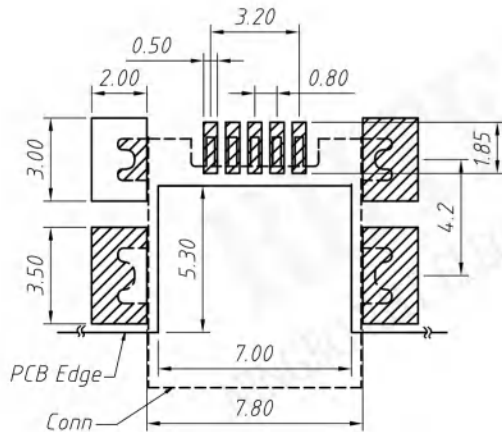
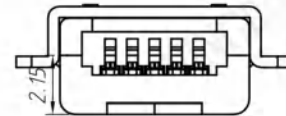
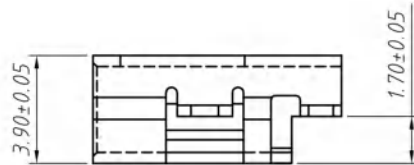
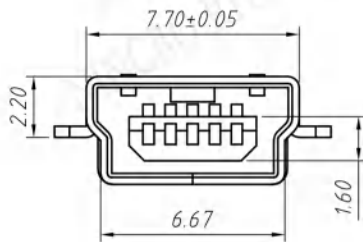
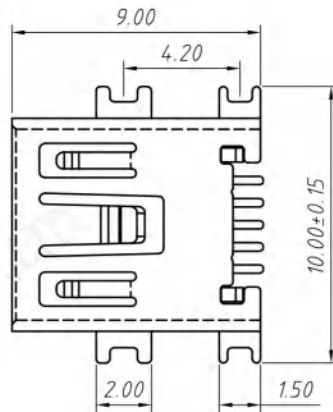
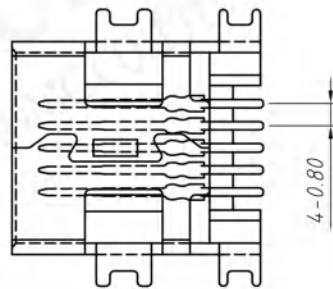




PHOTO ONLY FOR REFERENCE



RECOMMENDED PCB LAYOUT



Material

Housing:Hing Temperature Thermoplastic,UL 94V-0 LCP,Black.

Contact:Copper Alloy C2680.

Shell:Copper Alloy C2680/SPCC.

Finish:

Contact:Plated Gold In Mating Area; Tin On Solder Talls.

Shell:Nickel Plating.

Electrical:

Current Rating:1.0A/Contact Terminal.

Voltage Rating:30V DC

Contact Resistance:50mΩ Max.

Dielectric Withstanding Voltage:300 V AC AT Sea Level.

Insulation Resistance:100MΩ Min.

Connector Mate and Unmated Force

Mate Force:3.0kgf Max.

Unmated Force:0.7kgf Min.

Terminal Retention:0.5kgf Min.

Order Information

RE - C - 229 - 5FE - B - R

