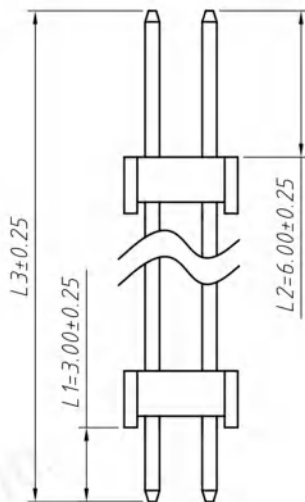
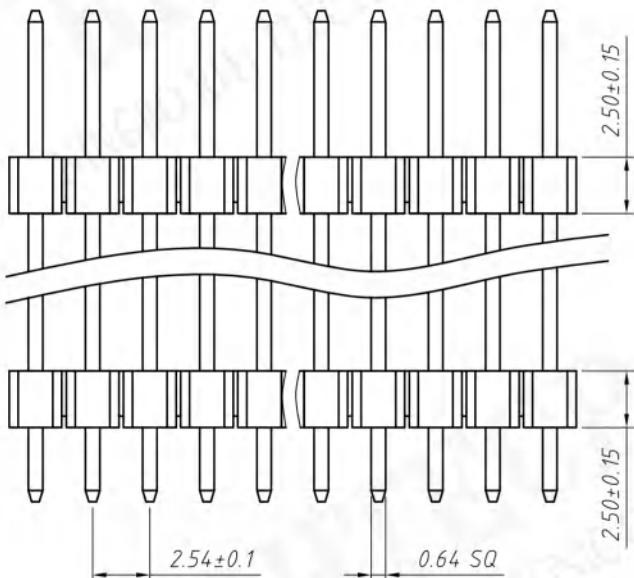


RECOMMEND P.C.BOARD LAYOUT  
PCB TOLERANCE: ±0.05 (TOP VIEW)

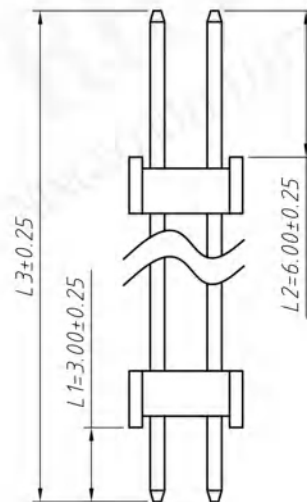
Material:  
Standard: PA6T  
Contact: Brass  
Insulator: Polyester, UL94V-0

Electrical Characteristics:  
Rated Current: 3AMP  
Contact Resistance: 20mΩ Max  
Withstand Voltage: 1000V AC/DC  
Insulator Resistance: 1000MΩ Min

Mechanical  
Operating Temperature: -40°C ~ +105°C



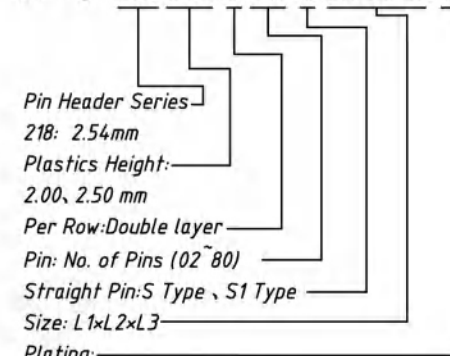
S Type



S1 Type

Order Information:

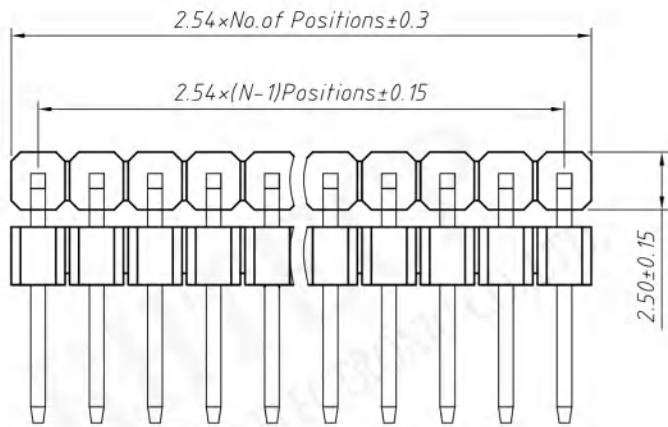
RE - C - 218-2.50-2-XX-S-L1xL2xL3-G0



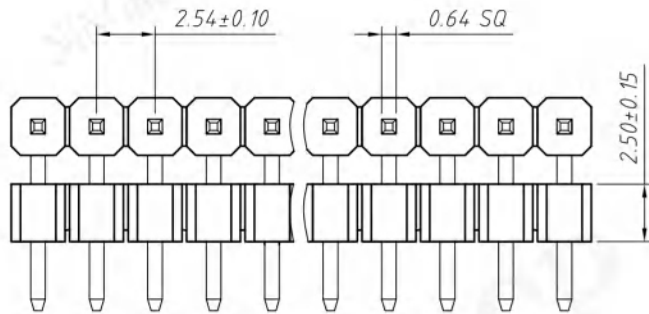
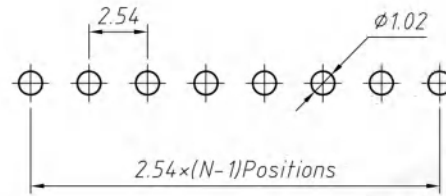
Pin Header Series  
218: 2.54mm  
Plastics Height:  
2.00, 2.50 mm  
Per Row: Double layer  
Pin No. of Pins (02~80)  
Straight Pin: S Type, S1 Type  
Size: L1xL2xL3  
Plating:  
G0=Gold Flash G1=1u" Gold  
G10=10u" Gold G15=15u" Gold  
G30=30u" Gold

Dimension antitheses list (mm)

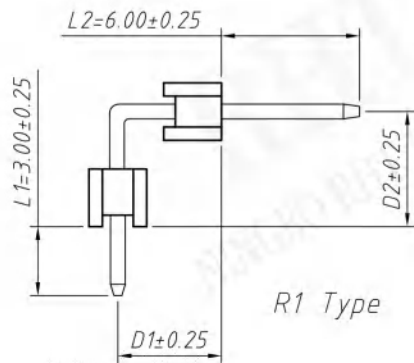
ITEM	L1	L2	L3	Plastic Height
Standard	3.00	6.00	---	2.50
Nonstandard	---	---	---	---



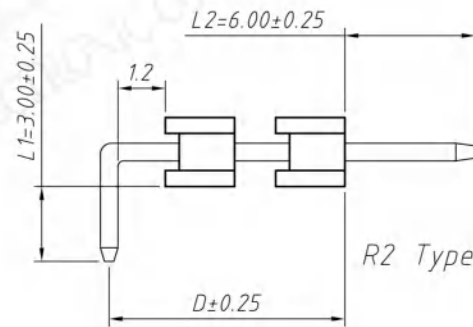
Recommended P.C.Board Layout  
(PCB Tolerance ± 0.05 (Top View))



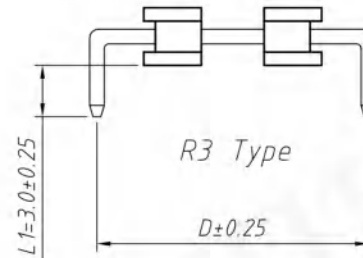
Dimension antitheses list (mm)						
ITEM	L1	L2	D	D1	D2	Plastic Height
Standard	3.00	6.00	---	---	---	2.50
Nonstandard	---	---	---	---	---	---



R1 Type



R2 Type



R3 Type

**Material:**  
Standard: PA6T  
Contact: Brass  
Insulator: Polyester, UL94V-0

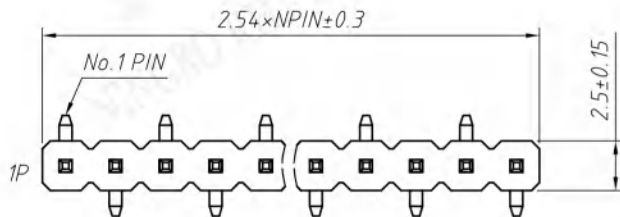
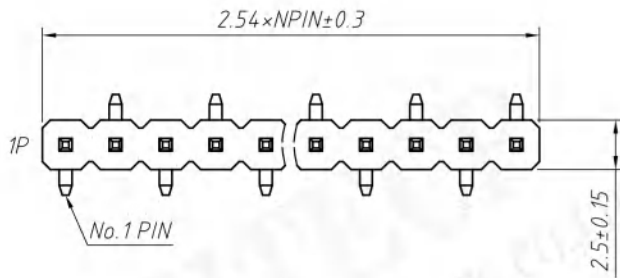
**Electrical Characteristics:**  
Rated Current: 3AMP  
Contact Resistance: 20mΩ Max  
Withstand Voltage: 1000V AC/DC  
Insulator Resistance: 1000MΩ Min

**Mechanical**  
Operating Temperature: -40°C ~ +105°C

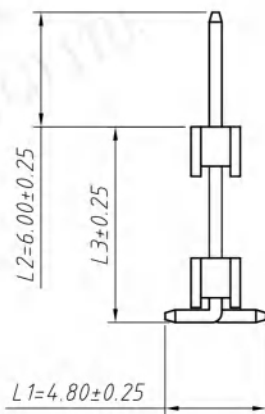
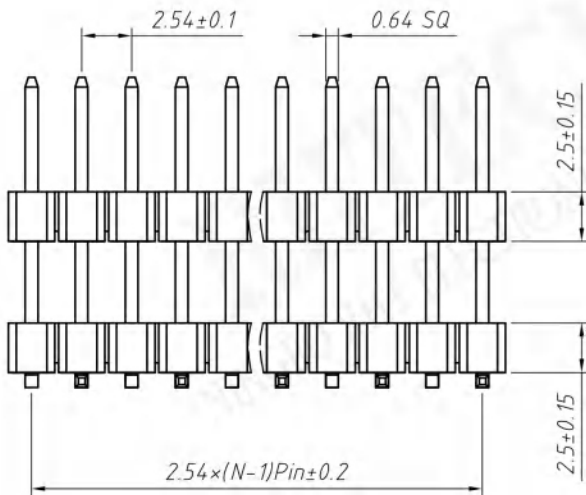
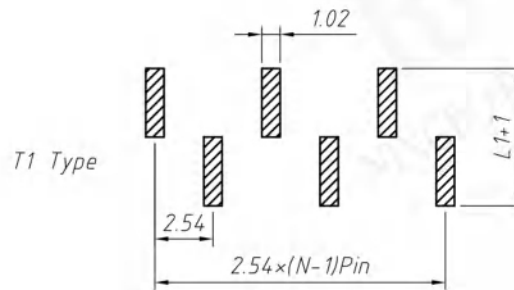
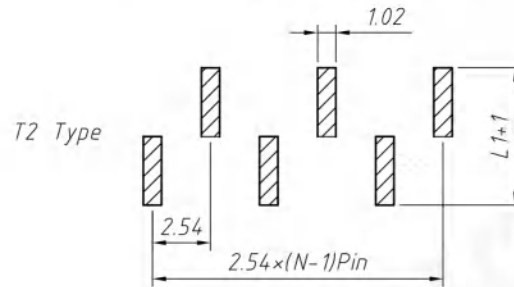
Order Information:

RE - C - 218 - 2.50 - 1 - XX - R2 - L1 x L2 x D - G0

Pin Header Series  
218: 2.54mm  
Plastics Height:  
2.00, 2.50 mm  
Per Row: Single layer  
Pin: No. of Pins (1x40)  
Right Angle Pin: R1 Type, R2 Type  
Size: L1 x L2 x D  
Plating:  
G0=Gold Flash      G1=1u" Gold  
G10=10u" Gold      G15=15u" Gold  
G30=30u" Gold



Recommended P.C.B Layout (Top Side)  
(PCB BOARD TOLERANCE ± 0.05)

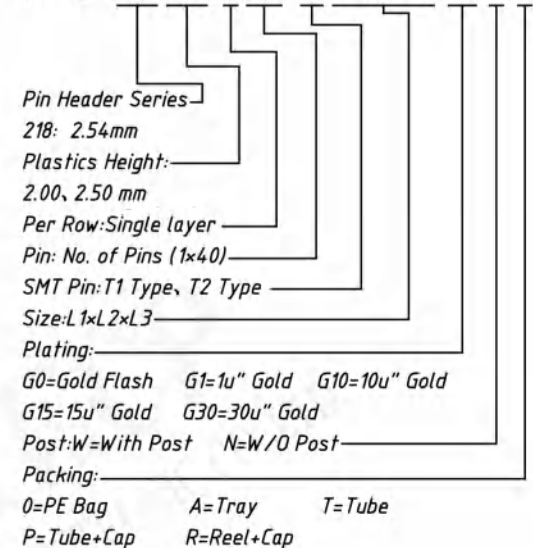


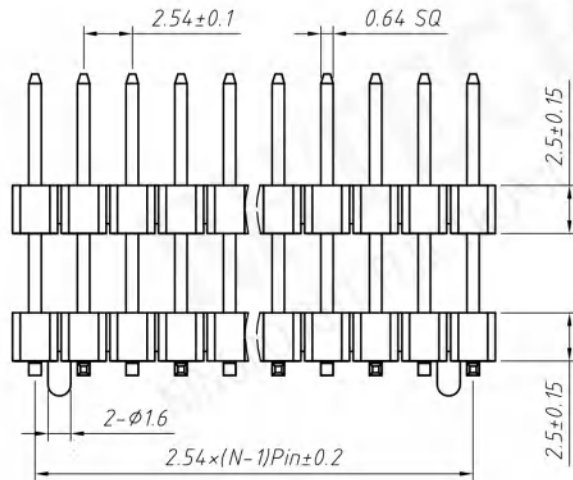
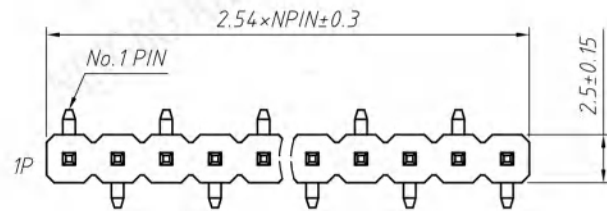
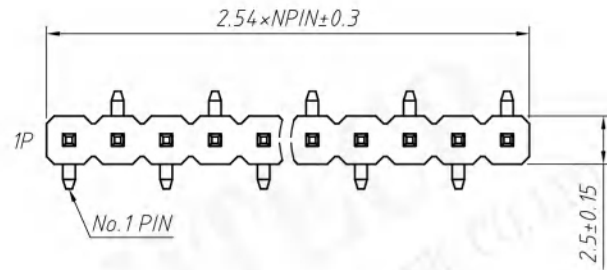
Dimension antitheses list (mm)				
ITEM	L1	L2	L3	Plastic Height
Standard	4.80	6.00	---	2.50
Nonstandard	---	---	---	---

**Material:**  
**Standard:** PA6T  
**Contact:** Brass  
**Insulator:** Polyester, UL 94 V-0  
**Electrical Characteristics:**  
**Rated Current:** 3AMP  
**Contact Resistance:** 20mΩ Max  
**Withstand Voltage:** 1000V AC/DC  
**Insulator Resistance:** 1000MΩ Min  
**Mechanical**  
**Operating Temperature:** -40°C ~ +105°C  
**Max. Processing Temp:** 230°C for 30-60 seconds  
 (260°C for 10 seconds)

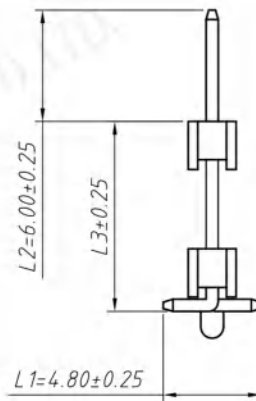
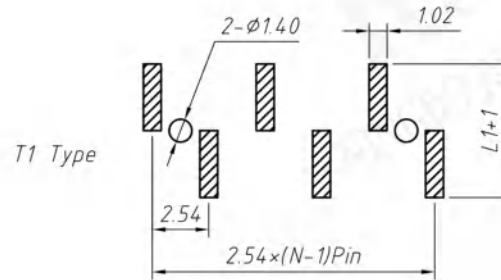
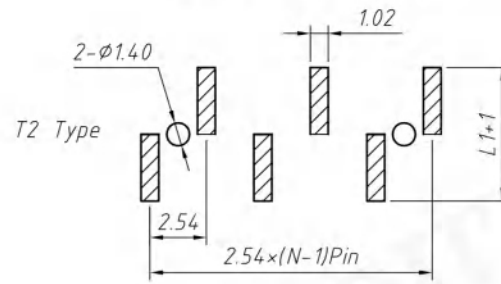
**Order Information:**

RE - C - 218-2.50-1-XX-T1-L1xL2xL3-G0-N-R





Recommended P.C.B Layout (Top Side)  
(PCB BOARD TOLERANCE ± 0.05)

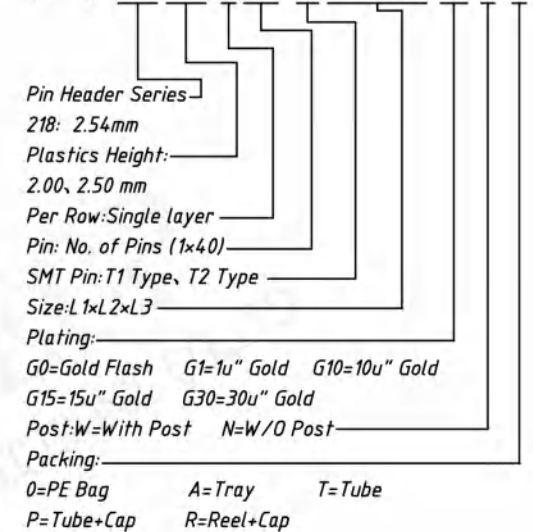


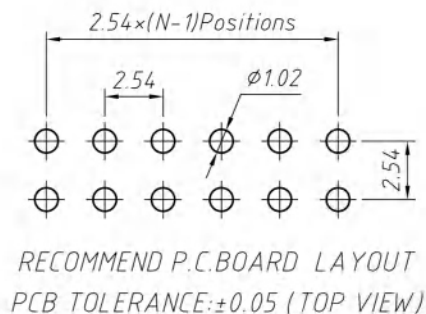
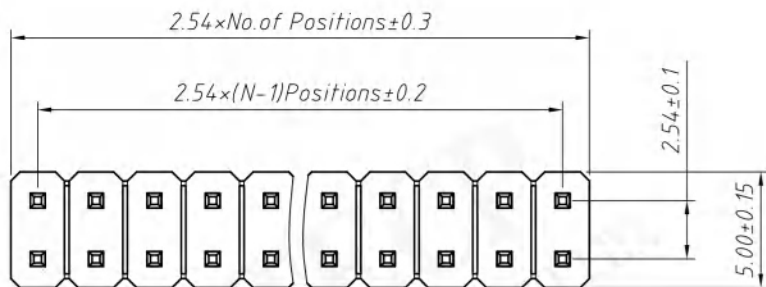
Dimension antitheses list (mm)				
ITEM	L1	L2	L3	Plastic Height
Standard	4.80	6.00	---	2.50
Nonstandard	---	---	---	---

**Material:**  
**Standard:** PA6T  
**Contact:** Brass  
**Insulator:** Polyester, UL94V-0  
**Electrical Characteristics:**  
**Rated Current:** 3AMP  
**Contact Resistance:** 20mΩ Max  
**Withstand Voltage:** 1000V AC/DC  
**Insulator Resistance:** 1000MΩ Min  
**Mechanical**  
**Operating Temperature:** -40°C ~ +105°C  
**Max. Processing Temp:** 230°C for 30-60 seconds  
 (260°C for 10 seconds)

Order Information:

RE - C - 218-2.50-1-XX-T1-L1xL2xL3-G0-W-R

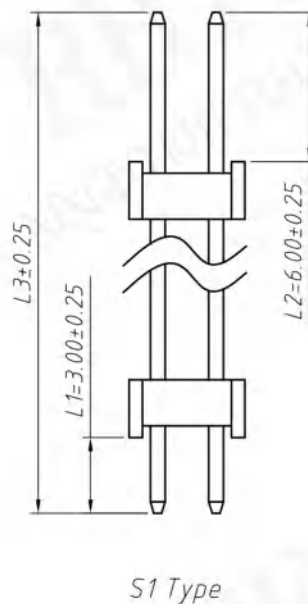
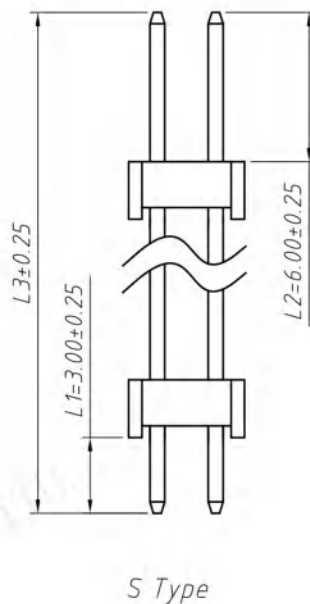
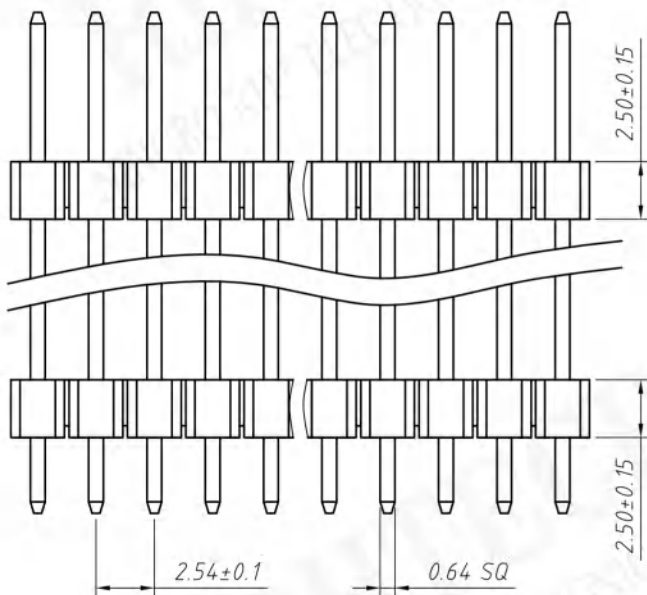




**Material:**  
**Standard:** PA6T  
**Contact:** Brass  
**Insulator:** Polyester, UL 94V-0

**Electrical Characteristics:**  
**Rated Current:** 3AMP  
**Contact Resistance:** 20mΩ Max  
**Withstand Voltage:** 1000V AC/DC  
**Insulator Resistance:** 1000MΩ Min

**Mechanical**  
**Operating Temperature:** -40°C ~ +105°C

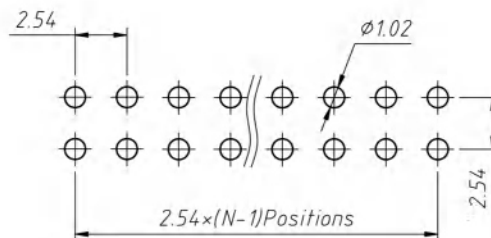
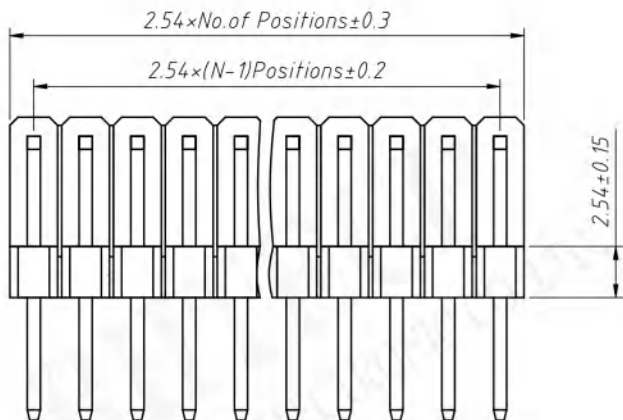


**Order Information:**  
 RE - C - 218 - 2.50 - 2 - XX - S - L1 x L2 x L3 - G0

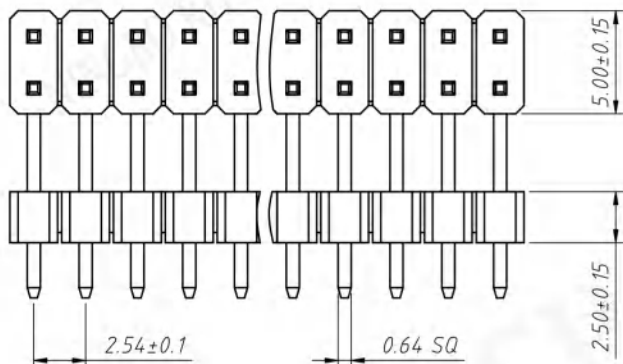
Pin Header Series  
 218: 2.54mm  
 Plastics Height:  
 2.00, 2.50 mm  
 Per Row: Double layer  
 Pin: No. of Pins (02~80)  
 Straight Pin: S Type, S1 Type  
 Size: L1 x L2 x L3  
 Plating:  
 G0=Gold Flash G1=1u" Gold  
 G10=10u" Gold G15=15u" Gold  
 G30=30u" Gold

Dimension antitheses list (mm)

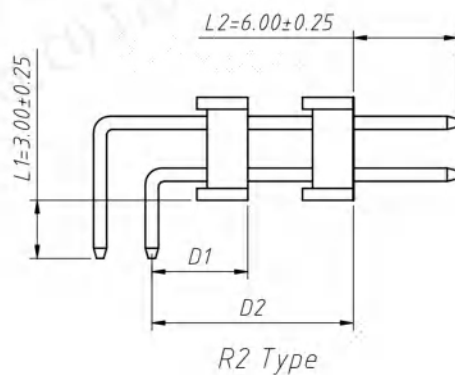
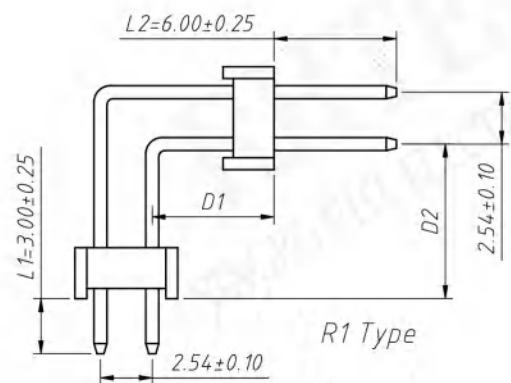
ITEM	L1	L2	L3	Plastic Height
Standard	3.00	6.00	---	2.50
Nonstandard	---	---	---	---



RECOMMEND P.C. BOARD LAYOUT  
PCB TOLERANCE: ± 0.05 (TOP VIEW)



Dimension antitheses list (mm)						
ITEM	L1	L2	D	D1	D2	Plastic Height
Standard	3.00	6.00	---	---	---	2.50
Nonstandard	---	---	---	---	---	---



Material:  
Standard: PA6R  
Contact: Brass  
Insulator: Polyester, UL 94 V-0

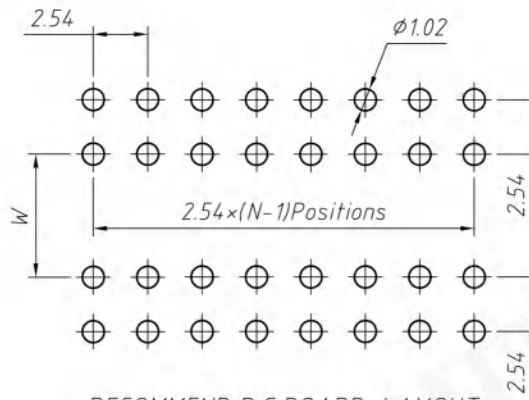
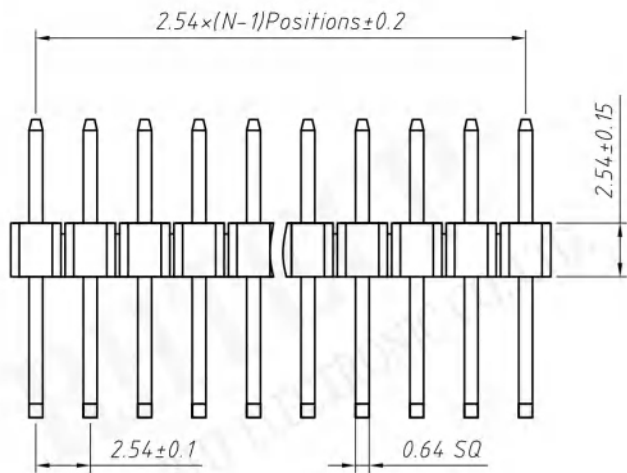
Electrical Characteristics:  
Rated Current: 3AMP  
Contact Resistance: 20mΩ Max  
Withstand Voltage: 1000V AC/DC  
Insulator Resistance: 1000MΩ Min

Mechanical  
Operating Temperature: -40°C ~ +105°C  
Max. Processing Temp: 180°C for 30-60 seconds (200°C for 10 seconds)

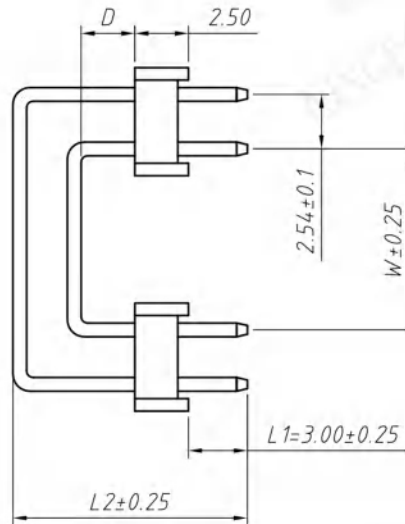
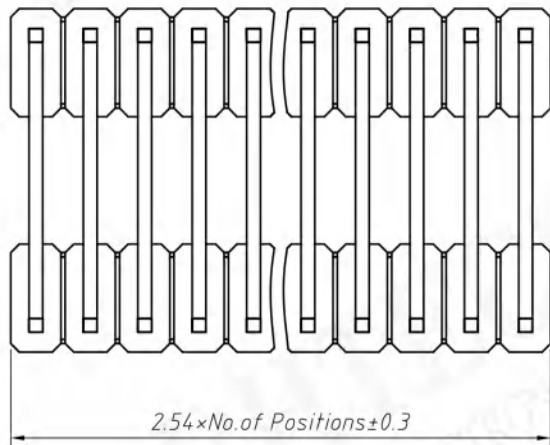
Order Information:

RE - C - 218 - 2.50 - 2 - XX - R2 - L1 x L2 x D1 x D2 - G0

Pin Header Series: 218: 2.54mm  
Plastics Height: 2.00, 2.50 mm  
Per Row: Double layer  
Pin: No. of Pins (2 ~ 80)  
Right Angle Pin: R1 Type, R2 Type  
Size: L1 x L2 x D1 - D2  
Plating:  
G0 = Gold Flash      G1 = 1u" Gold  
G10 = 10u" Gold      G15 = 15u" Gold  
G30 = 30u" Gold



RECOMMEND P.C.BOARD LAYOUT  
PCB TOLERANCE: ±0.05 (TOP VIEW)



Material:  
Standard: PA6R  
Contact: Brass  
Insulator: Polyester, UL94 V-0

Electrical Characteristics:  
Rated Current: 3AMP  
Contact Resistance: 20mΩ Max  
Withstand Voltage: 1000V AC/DC  
Insulator Resistance: 1000MΩ Min

Mechanical  
Operating Temperature: -40°C ~ +105°C  
Max. Processing Temp: 180°C for 30-60 seconds (200°C for 10 seconds)

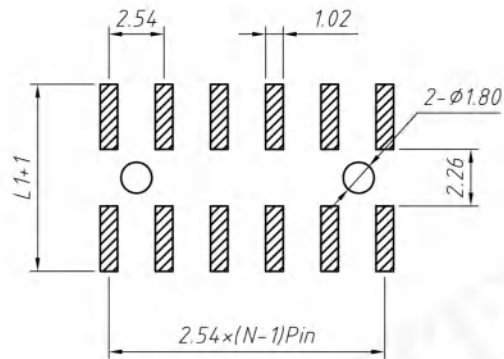
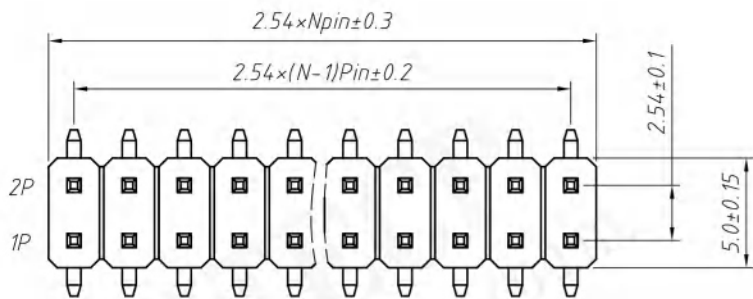
Order Information:

RE - C - 218 - 2.50 - 2 - XX - R3 - L1 x L2 x D x W - G0

Pin Header Series: 218: 2.54mm  
Plastics Height: 2.00, 2.50 mm  
Per Row: Double layer  
Pin. No. of Pins (02~80)  
Type: Right Angle Pin  
Size: L1 x L2 x D x W  
Plating:  
G0 = Gold Flash      G1 = 1u" Gold  
G10 = 10u" Gold      G15 = 15u" Gold  
G30 = 30u" Gold

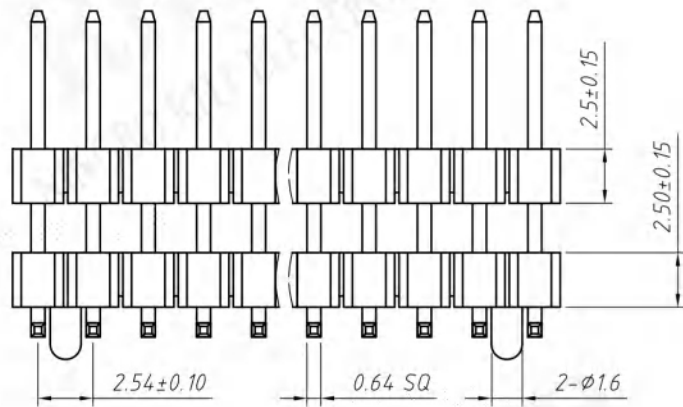
Dimension antitheses list (mm)

ITEM	L1	L2	D	W	Plastic Height
Standard	3.00	---	---	---	2.50
Nonstandard	---	---	---	---	---



Recommended P.C.B Layout (Top Side)  
(PCB BOARD TOLERANCE ± 0.05)

**Material:**  
Standard: PA6T  
Contact: Brass  
Insulator: Polyester, UL 94 V-0  
**Electrical Characteristics:**  
Rated Current: 3AMP  
Contact Resistance: 20mΩ Max  
Withstand Voltage: 1000V AC/DC  
Insulator Resistance: 1000MΩ Min  
**Mechanical**  
Operating Temperature: -40°C ~ +105°C  
Max. Processing Temp: 230°C for 30-60 seconds  
(260°C for 5 seconds)



Dimension antitheses list (mm)				
ITEM	L1	L2	L3	Plastic Height
Standard	7.40	6.00	---	2.50
Nonstandard	---	---	---	---

**Order Information:**

RE - C - 218-2.50-2-XX-T-L1xL2xL3-G0-W-R

Pin Header Series  
218: 2.54mm  
Plastics Height:  
2.00, 2.50 mm  
Per Row: Double layer  
Pin: No. of Pins (02 ~ 80)  
Type: SMT Mounting type  
Size: L1xL2xL3  
Plating:  
G0=Gold Flash G1=1u" Gold G10=10u" Gold  
P1=1u" Gold P5=5u" Gold  
Post: W=With Post N=W/O Post  
Packing:  
0=PE Bag A=Tray T=Tube  
P=Tube+Cap R=Reel+Cap

