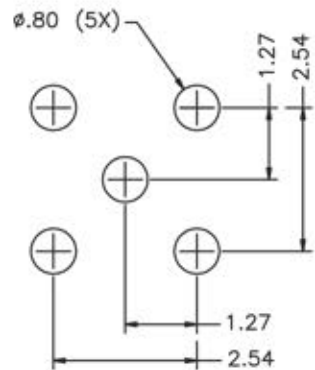
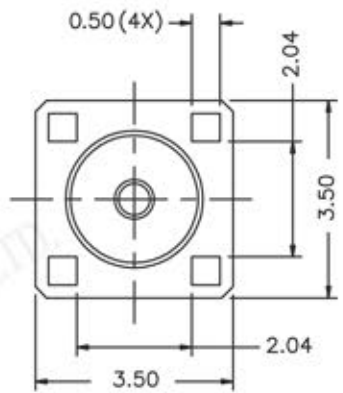
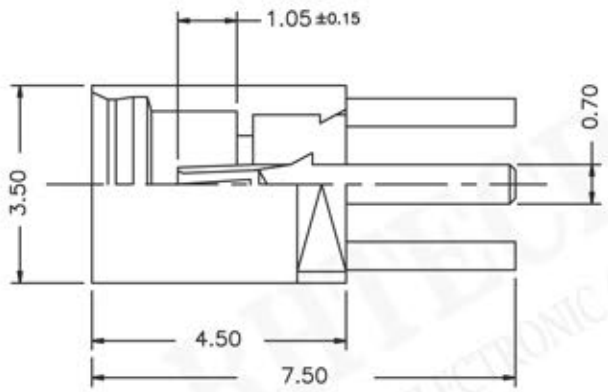


RHTECP
NINGBO RHT ELECTRONIC CO.,LTD.



PCB MOUNTING HOLES



MMCXConnectorSeries

RE-C-MMCX001 MMCXConnectorSeries

ElectricalSpecifications
 Impedance:50Ω
 FrequencyRange:DC-6GHz
 VSWR:1.15max.@DC-4GHz
 1.40max.@4-6GHz
 RF-Leakage:60dBminimum @1GHz(flexiblecable)
 70dBminimum @1GHz(semirigidcable)
 VoltageRating(atsealevel):170VrmsMax.
 ContactResistance:centercontact:10mΩMax.
 outercontact:5mΩMax.
 InsulationResistance:1,000MΩMin
 DielectricWithstandingVoltage:500Vrms(atsealevel)

Mechanical
 Mating:Snap-oncoupling
 ContactCaptivation:2.3lbs
 EngagementForce:3.4lbs(15N)Max.
 DisengagementForce:1.4lbs(6N)Min.
 Durability(matings):500cyclesMin.
 TemperatureRange:-55°Cto+155°C

Material
 BodyandOuterContacts:Brass,nickelorgoldplated
 MaleContact:Brass,goldplated
 FemaleContact:Berylliumcopperorphosphorbronze,goldplated
 CrimpFerrule:Copperorbrass,nickelplated
 Insulator:LCP,PTFEorPFA

ORDERINFORMATION

ProductNO.: RE-C-MMCX001

Pos.NO. _____
 MMCXConnector Type _____

UNITS:mm	SHEET SIZE:A4		SCALE: ---
> 0 ~ 3	> 3 ~ 18	> 18 ~ 50	> 50 ~ 120
± 0.12	± 0.15	± 0.3	± 0.5