

MMCX Connector Series

RE-C-MMCX002 MMCX Connector Series

Electrical Specifications

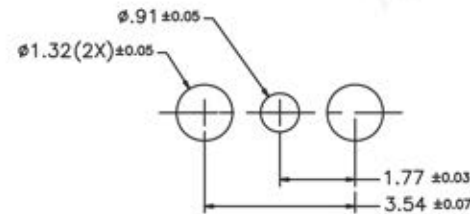
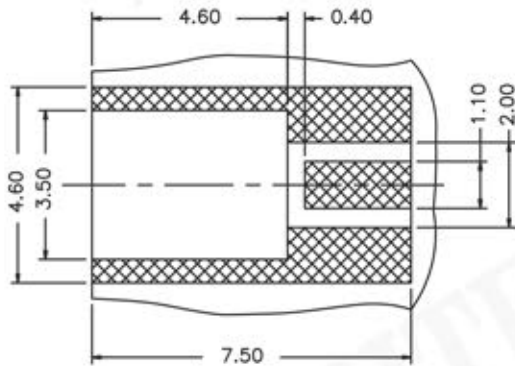
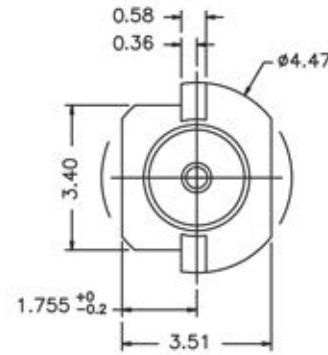
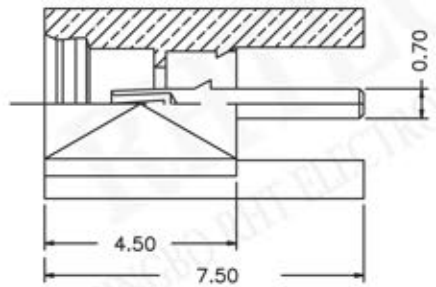
Impedance: 50 Ω
 Frequency Range: DC - 6 GHz
 VSWR: 1.15 max. @ DC - 4 GHz
 1.40 max. @ 4 - 6 GHz
 RF-Leakage: 60 dB minimum @ 1 GHz (flex ible cable)
 70 dB minimum @ 1 GHz (semi-rigid cable)
 Voltage Rating (at sea level): 170 Vrms Max.
 Contact Resistance: center contact: 10 mΩ Max.
 outer contact: 5 mΩ Max.
 Insulation Resistance: 1,000 MΩ Min.
 Dielectric Withstanding Voltage: 500 Vrms (at sea level)

Mechanical

Mating: Snap-on coupling
 Contact Captivation: 2.3 lbs
 Engagement Force: 3.4 lbs (15N) Max.
 Disengagement Force: 1.4 lbs (6N) Min.
 Durability (matings): 500 cycles Min.
 Temperature Range: -55°C to +155°C

Material

Body and Outer Contacts: Brass, nickel or gold plated
 Male Contact: Brass, gold plated
 Female Contact: Beryllium copper or phosphor bronze, gold plated
 Crimp Ferrule: Copper or brass, nickel plated
 Insulator: LCP, PTFE or PFA



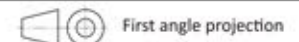
PCB MOUNTING HOLE

ORDER INFORMATION

Product NO.: RE-C -MMCX002

Pos. NO. _____

MMCX Connector Type _____



First angle projection

CONNECTOR