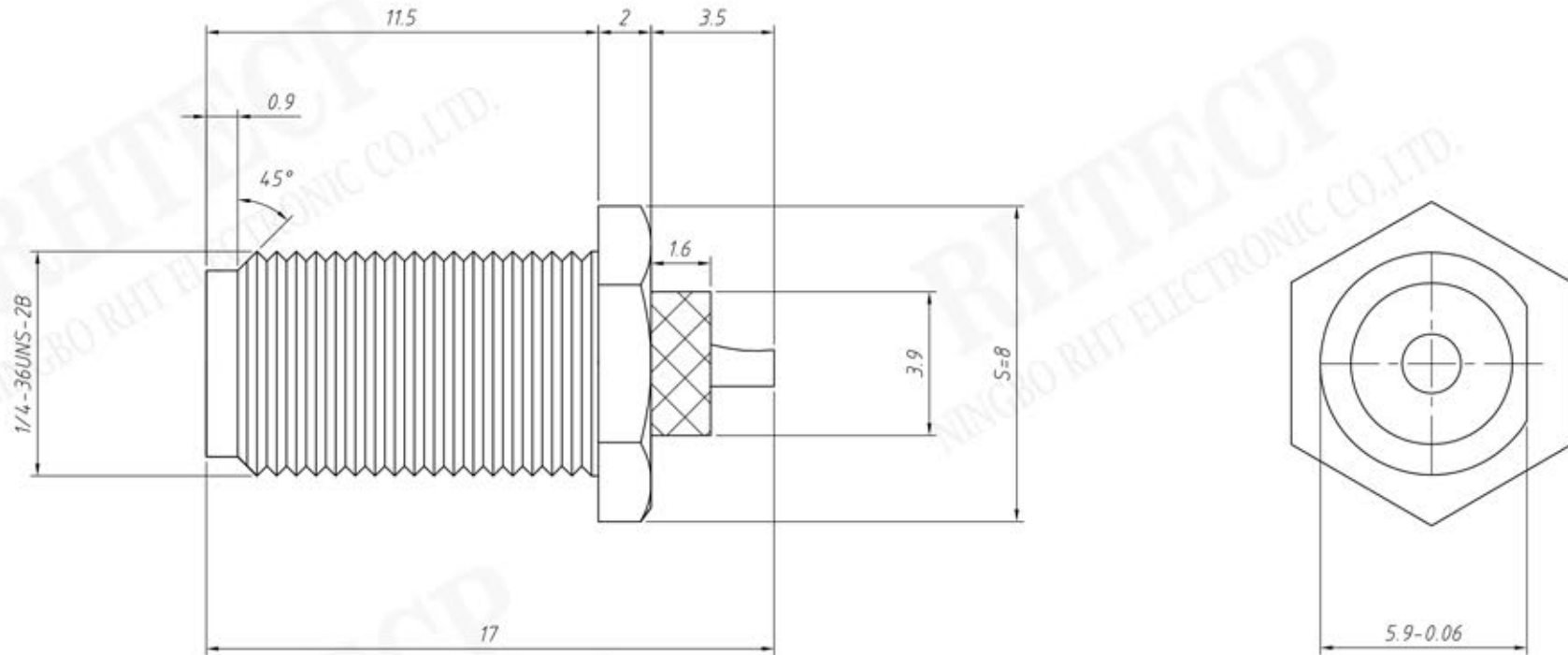


P/N: RE-C-SMA009



Technical parameters:

1. Characteristic impedance of joint: 50mΩ
2. Joint surface: gold plating
3. Mechanical demand: 500 times

Material:

Connector body: Brass per QQ-B-626 ,gold Plating or nickel
Center contact Male: Brass,gold Plating
Insulator: PTFE