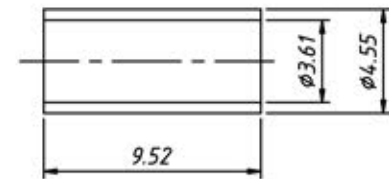
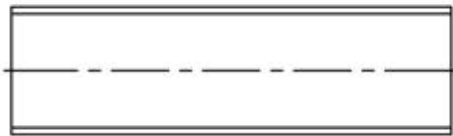
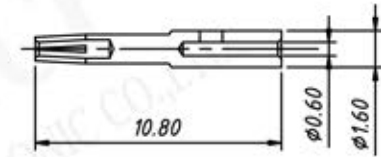
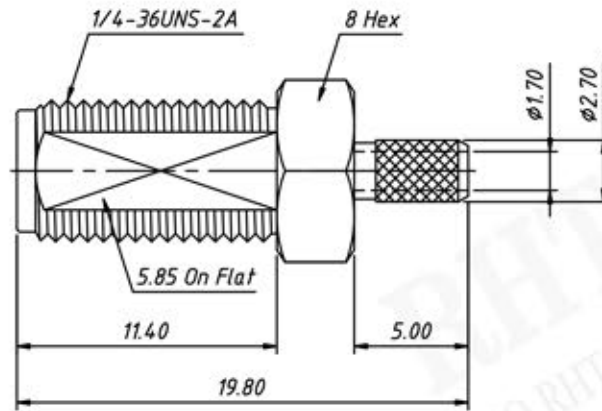
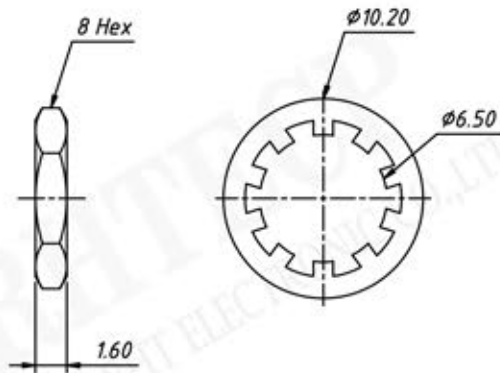
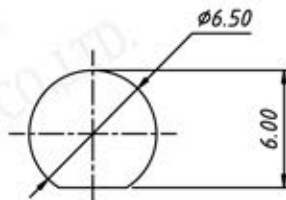


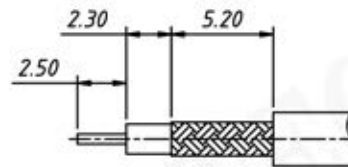
P/N: RE-C-SMA010



Material:
 Body: Brass, Gold Plating
 Contact Pin: Ber. Copper, Gold Plating
 Insulator: PTFE, Natural
 Lock Washer: Brass, Gold Plating
 Hex Nut: Brass, Gold Plating
 Ferrule: Copper, Gold Plating
 Heat Shrink Tubing: Blak



Recommended Mounting Hole



Recommended Cable Stripping Dim's

Note:
 Impedance: 50Ω
 Crimped Ferrule Hex Crimp Size 3.83
 Contact Pin To Solder
 Max. Panel Thickness=3.2mm