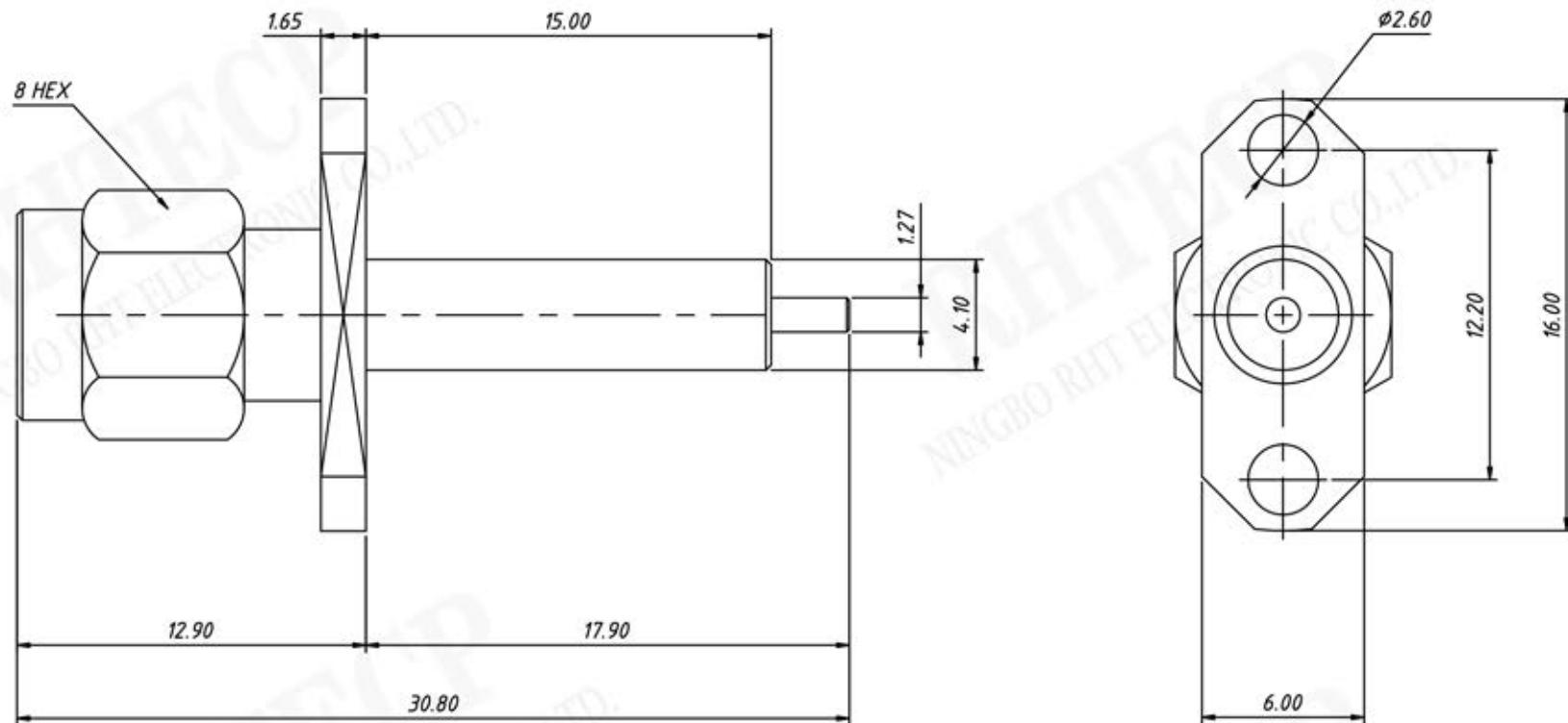


P/N: RE-C-SMA022



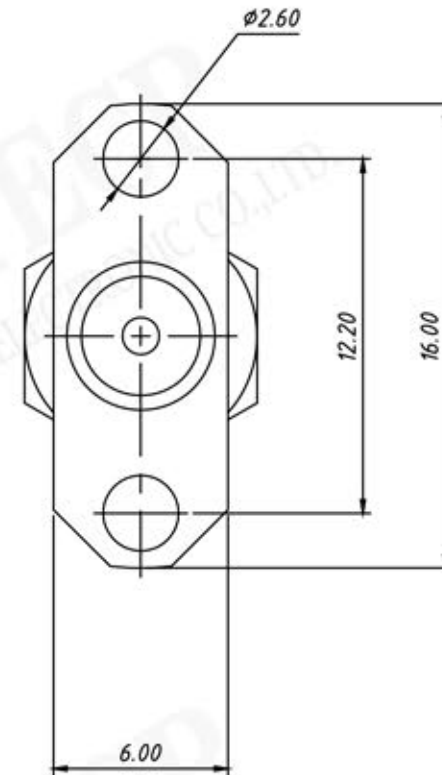
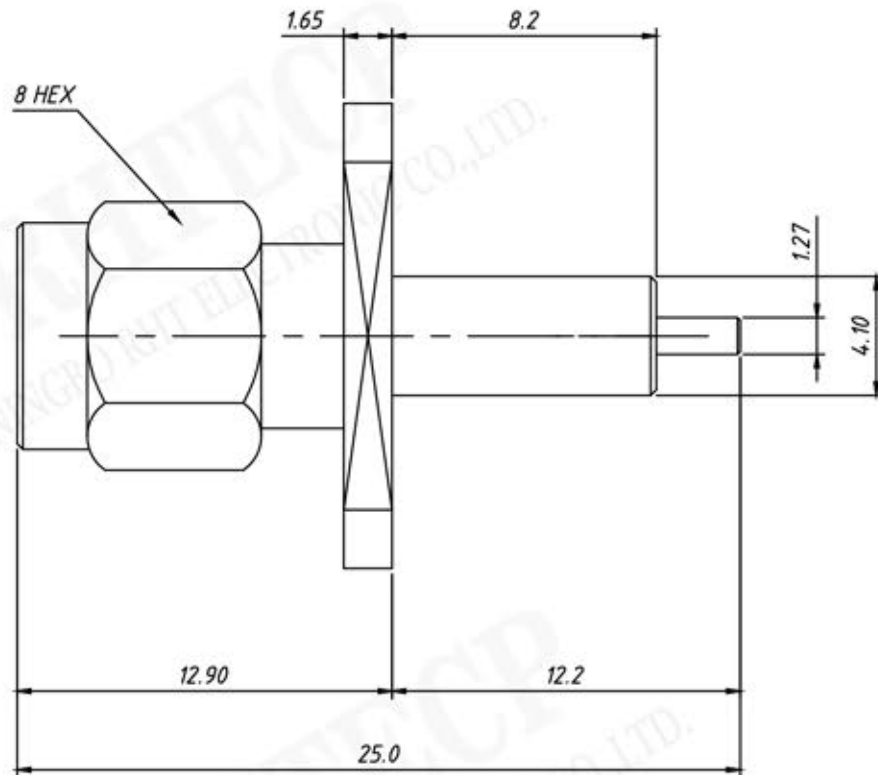
Technical parameters:

1. Characteristic impedance of joint: 50Ω
2. Joint surface: gold plating
3. Mechanical demand: 500 times

Material:

Body: Brass ,Gold Plating
 Insulator: TEFLON,Natural
 Contact Pin: Brass,Gold Plating

P/N: RE-C-SMA022



Technical parameters:

1. Characteristic impedance of joint: 50 Ω
2. Joint surface: gold plating
3. Mechanical demand: 500 times

Material:

Body: Brass ,Gold Plating
 Insulator: TEFLON,Natural
 Contact Pin: Brass,Gold Plating