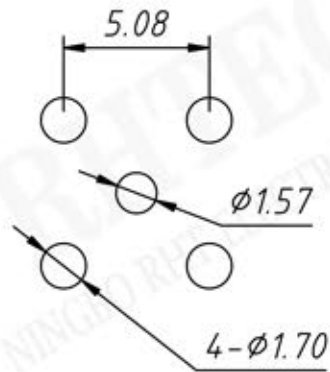
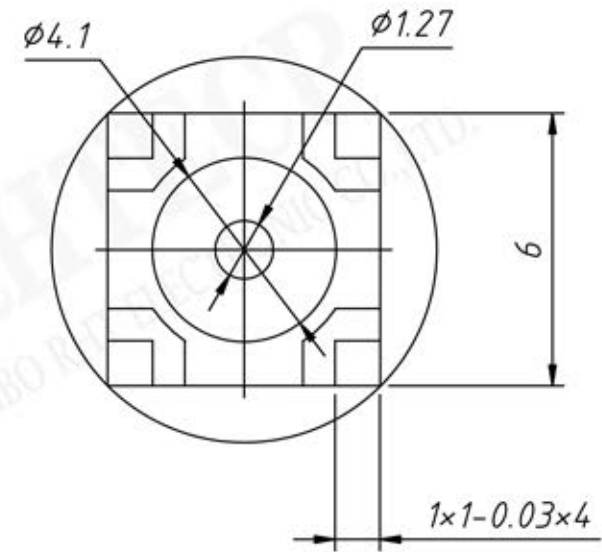
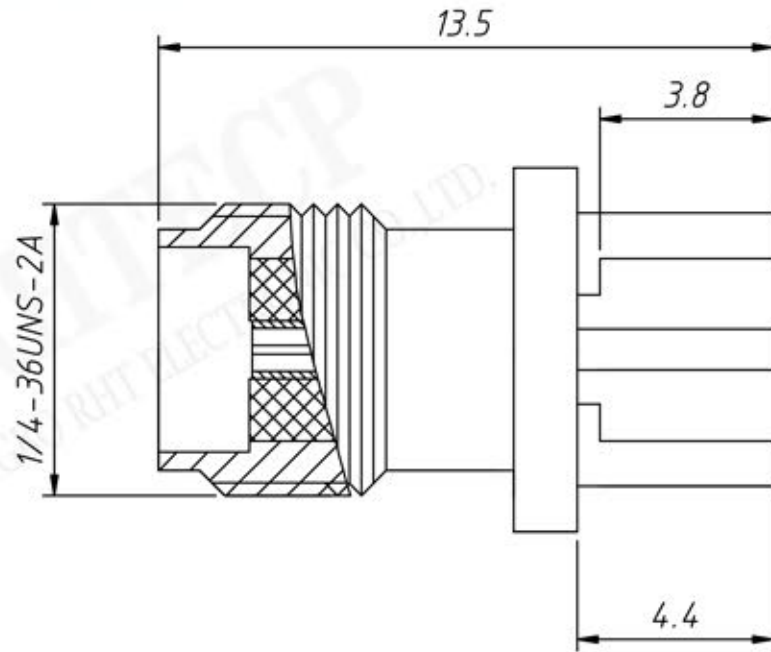


P/N: RE-C-SMA023



Mounting Hole Layout

Specifications:
Impedance: 50 Ω
Material: Brass
Insulation material: Teflon
Durability: 500 Cycles Min