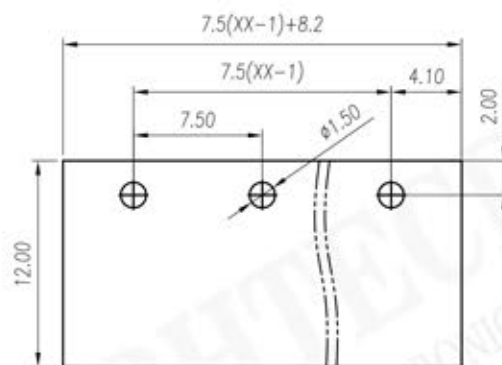
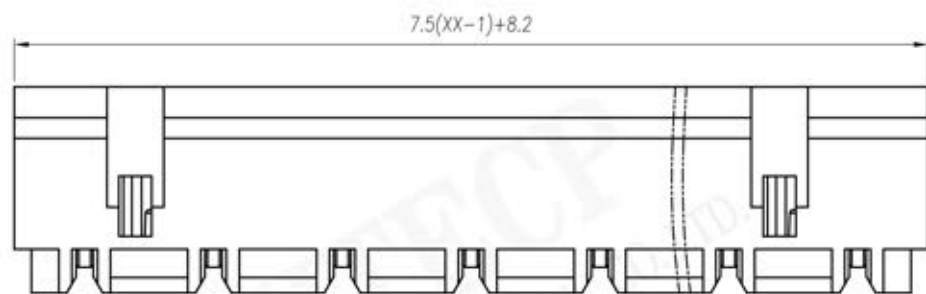
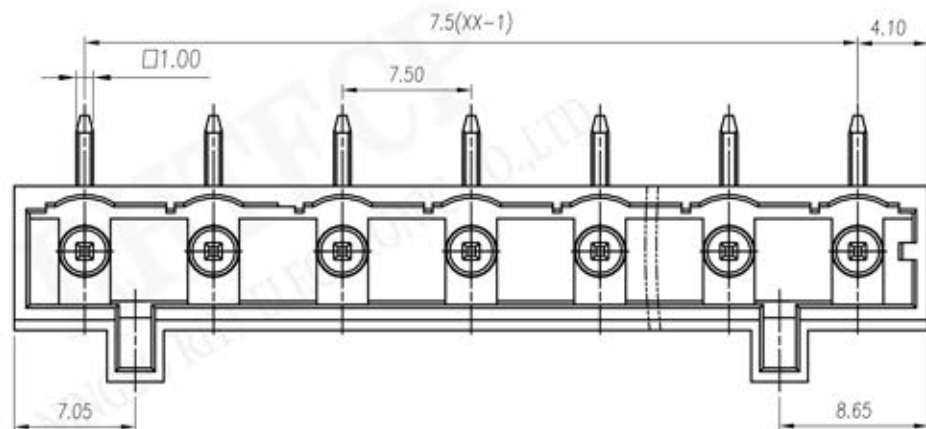
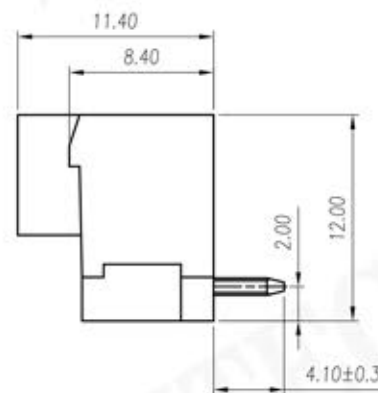


P/N: RE-C-MPRA-7.50-XXP-X



P.C.B. LAYOUT



linear dimension (Tolerances Standard GB/T 14486-2008)										
variable range	to	over	over	over	over	over	over	to	to	
		6	10	30	60	100	160			
tolerance	±0.20	±0.30	±0.50	±0.70	±1.00	±1.30	±1.60	0.10	0.30	0.60

UL/CUL 技术参数		UL/CUL Technical Data		
等级	Use Group	B	C	D
额定电压	Rated Voltage [V]	300	-	300
额定电流	Rated Current [A]	15	-	10
接线范围	Wire Range	/		
单/多芯线	Solid/Stranded [AWG]			
耐压	Withstanding Voltage	1600V		
IEC 技术参数		IEC Technical Data		
过电压类别	Ovoltage Category	III	III	II
污染等级	Contamination Class	3	2	2
额定电压	Rated Voltage [V]	300	320	630
额定电流	Rated Current [A]	12	12	12
额定冲击电压	Impulse withstand voltagea [KV]	6.0	6.0	6.0
导线截面积	Conductor cross section	/		
硬质/柔性导线	Solid/flexible [mm ²]			
材料		Material		
绝缘材料	Insulation Material	PA66		
阻燃等级	Flammability	UL94V-0		
导体材料	Contacting Material	铜合金 Copper alloy		
导体表面镀层	Contactive Coating	镀锡 Sn Plated		
一般参数		Other Data		
间距	Pitch / 极数 Poles [mm] / [P]	7.5 / 02-24		
剥线长度	Stripping Length [mm]	/		
螺丝 扭矩	Torque(Max) [N.m]	/		
工作温度	Operating temperature [°C]	-40~105		
焊接温度	Soldering temperature	250/5S		
引针尺寸	Pin Dimensions [mm]	1.0X1.0		
PCB板孔径	PCB Hole Diameter [mm]	Ø1.5		