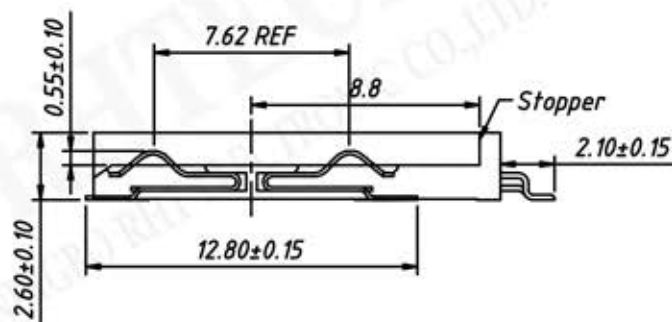


RECOMMENDED PCB LAYOUT
TOLERANCE ±0.05



Notes:

Material: Phosphor Bronze.

Housing: LCP, UL 94V-0.

Contact: Copper Alloy.

Shell: Stainless Steel.

Finish:

Contact: Selective Gold Flash.

Electrical:

Voltage Current Rating: 1 A 50V AC.

Insulation Resistance: 1000MΩ Min.

Contact Withstanding Voltage: AC 500V For 1 Minute.

Temperature Rating: -40°C TO +85°C.