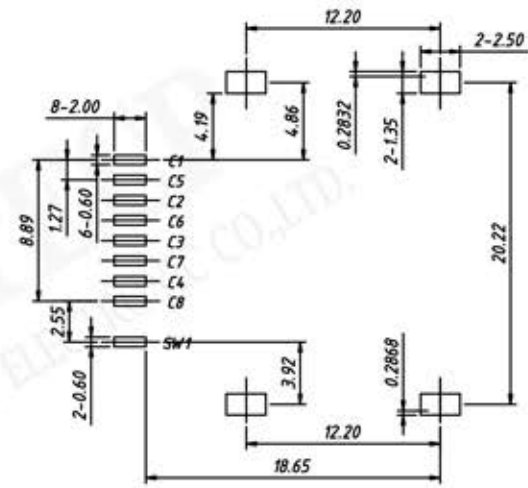
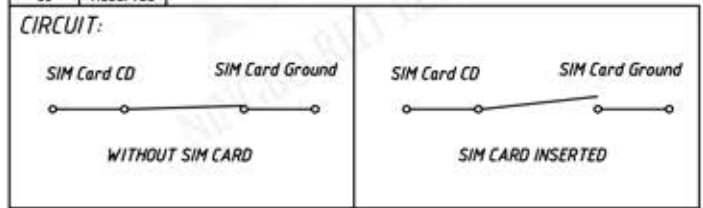
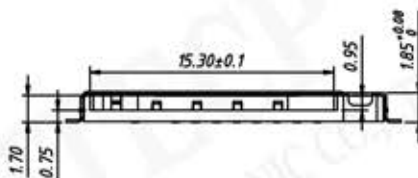


RECOMMENDED PCB LAYOUT

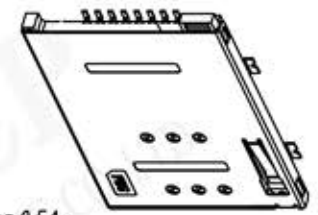


SIM Pin Assignment	
Pin #	Name
C1	VCC
C2	RST
C3	CLK
C4	Reserved
C5	GND
C6	VPP
C7	I/O
C8	Reserved



**Material:**  
 Insulator: H-Temperature Plastic, UL 94 V-0 Black.  
 Contact: Copper Alloy, T=0.15mm  
 Shell: Stainless Steel, T=0.15mm  
**Finsh:**  
 Terminal: 50u" min Nickel Underplated on Allover, Gold Plating on Contact Arer, 80u" min Tin on Solder Tail.  
 Shell: 50u" Nickel Underplated on Allover, Gold Flash on Solder Latch.

**Electrical:**  
 Current Rating: 0.5A.  
 Voltage Rating: 5.0 Vrms.  
 Insulation Resistance: 500M Min. At DC 500V DC  
 Withstanding Voltage: 250V ACrms For 1 Minute.  
 Contact Resistance: 100M Max. At 10MA/20mV MAX.  
 Operating Temperature: -55°C TO +85°C  
 Mating Cycles: 5000 Insertions.



UNITS:mm	SHEET SIZE:A4		SCALE: ---
> 0 ~ 3	> 3 ~ 18	> 18 ~ 50	> 50 ~ 120
± 0.12	± 0.15	± 0.3	± 0.5