

**Electrical:**

**1.General characteristics**

Dimensions:  $13.40L \times 13.40W \times 2.40H$  mm

Weight: Approx  $0.40 \pm 0.1g$

Durability: 5000 cycles min.

**2.Electrical Characteristics**

Contact Resistance:  $50m\Omega$  typical,  $100\Omega$  Max.

Insulation Resistance:  $> 1000M\Omega/500V$  DC.

**3.Solderability**

Vapor phase:  $215^\circ C.30sec.$  Max.

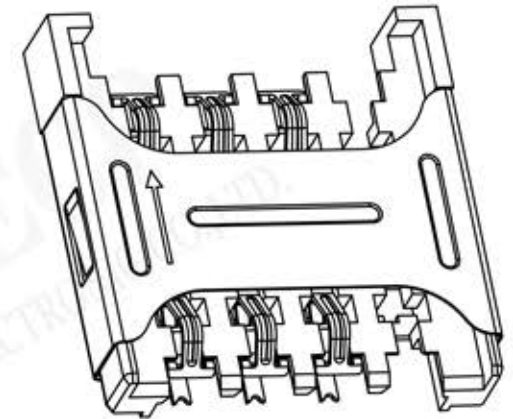
IR reflow:  $250^\circ C.5sec.$  Max.

Manual soldering:  $370^\circ C.3sec.$  Max.

**4.Environmental Characteristics**

Operating Temperature:  $-40^\circ C$  TO  $+85^\circ C$

Operating humidity:  $10\% \sim +95\%RH$ .



**Material:**

Base: Hi-Temp Thermoplastic, UL 94V-0, Black.

Data Contact: Copper Alloy, Gold Plated.

Shell: Stainless Steel, Gold Plated.