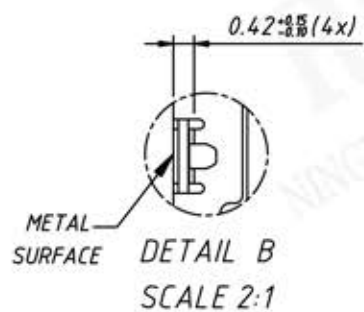
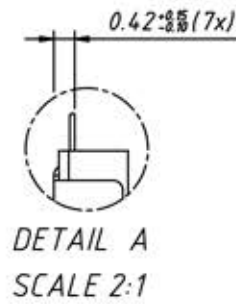
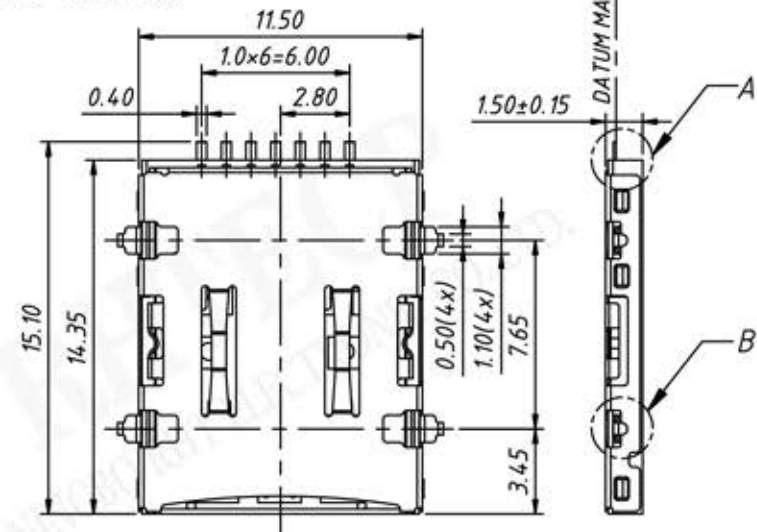
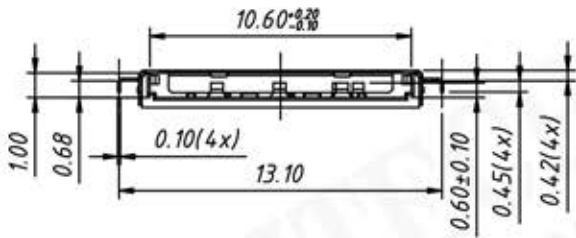
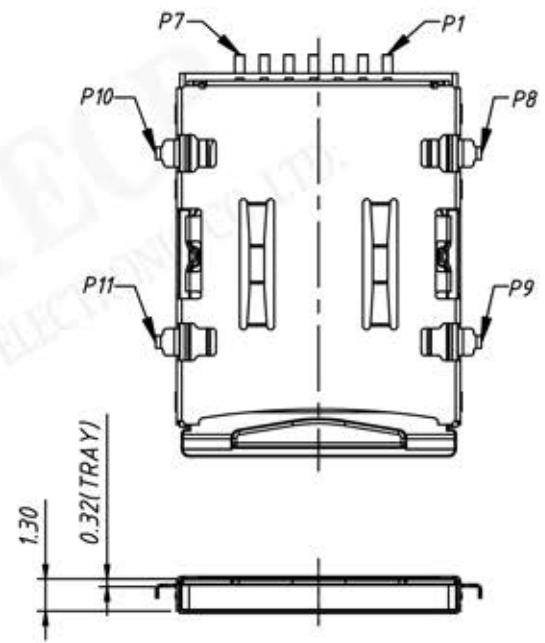


P/N: RE-C-SIM-100



WITH TRAY STATE



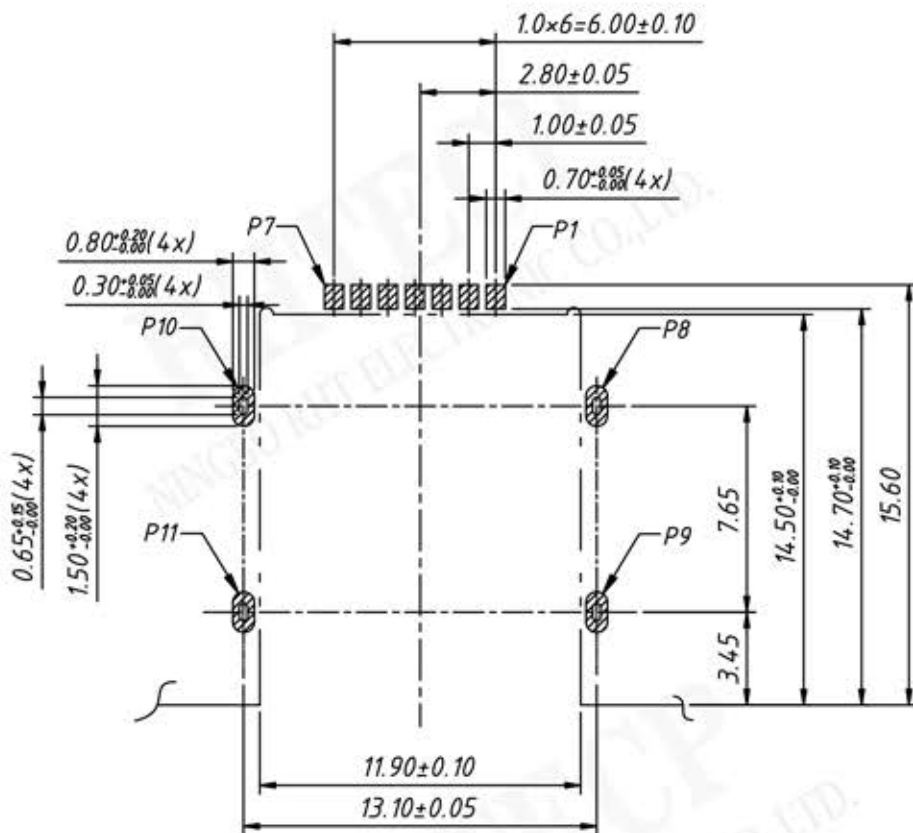
OPEN/CLOS OF SWITCH:

|                        |   |
|------------------------|---|
| DETECT SWITCH FOR CARD |   |
| CARD UNINSERTION       | OPEN $\begin{matrix} P2 \\ \swarrow \quad \searrow \\ \quad \quad P1 \end{matrix}$  |
| CARD INSERTION         | CLOSE $\begin{matrix} P2 \\ \swarrow \quad \searrow \\ \quad \quad P1 \end{matrix}$ |
| N/O                    | $\begin{matrix} P2 \\ \swarrow \quad \searrow \\ \quad \quad P1 \end{matrix}$       |

Material:  
Plastics:LCP,UL 94V-0.Black.  
Contact:C5210  
Shell:SUS304  
Tray:LCP,UL 94V-0.Black.

Plating:  
Contact:Contact Area:G/F Plating;Solder tail Area:80u" Matte Tin  
Shell:Plating over 30u" Ni  
Solderable 30u" Ni Plating over all.  
Contact and tail coplanarity to be 0.10mm all.

|          |               |          |           |
|----------|---------------|----------|-----------|
| UNITS:mm | SHEET SIZE:A4 |          | SCALE:--- |
| > 0~ 3   | > 3~ 18       | > 18~ 50 | > 50~ 120 |
| ± 0.12   | ± 0.15        | ± 0.3    | ± 0.5     |



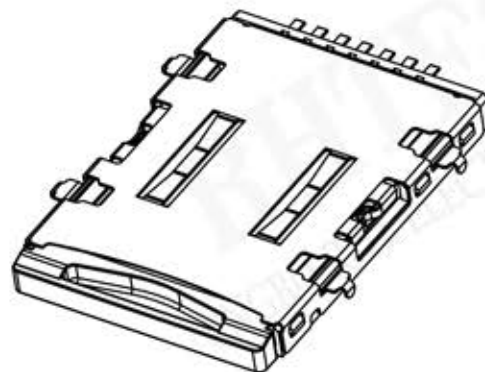
RECOMMENDED PCB BOARD LAYOUT (MOUNT SURFACE)  
TOLERANCES UNLESS OTHERWISE SPEC ±0.05

NOTES:

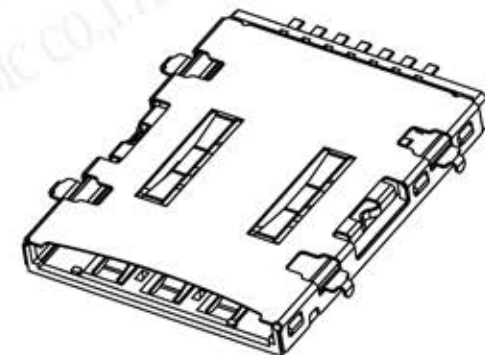
:PAD AREA

:KEEP OUT AREA

CONNECTOR WITH TRAY



CONNECTOR



Contact Pin Assignment

| Pin No. | No For Card | Function    |
|---------|-------------|-------------|
| P1      | DC          | Card Detect |
| P2      | C5          | GND         |
| P3      | C1          | VCC         |
| P4      | C6          | VPP         |
| P5      | C2          | TST         |
| P6      | C7          | I/O         |
| P7      | C3          | CLK         |
| P8      | None        | GND         |
| P9      | None        | GND         |
| P10     | None        | GND         |
| P11     | None        | GND         |

