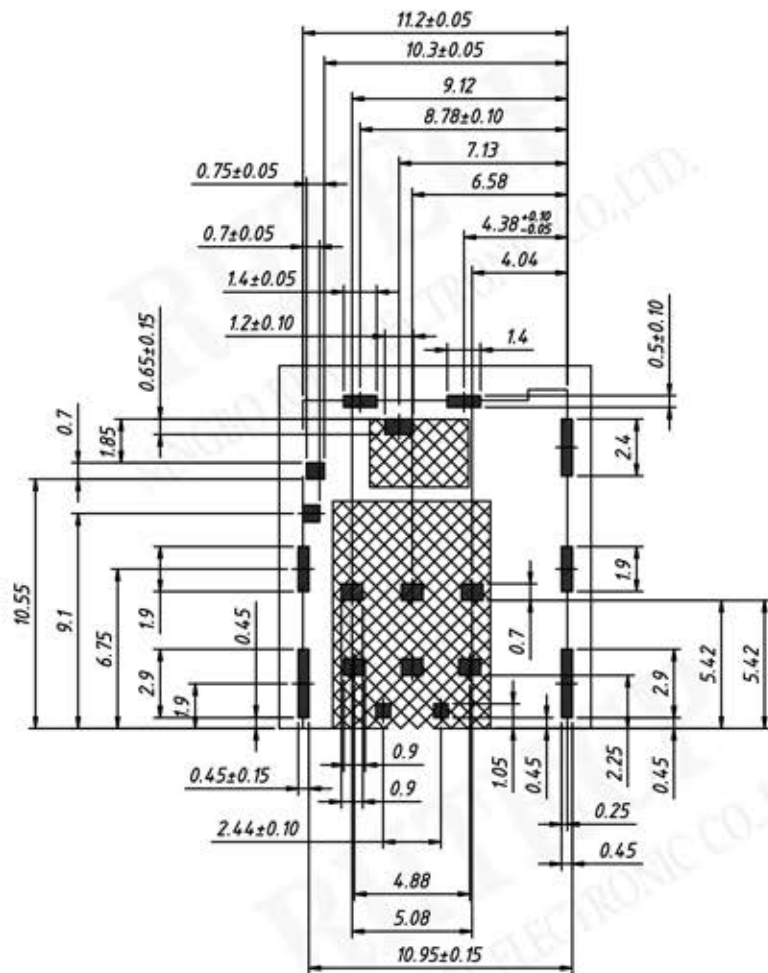
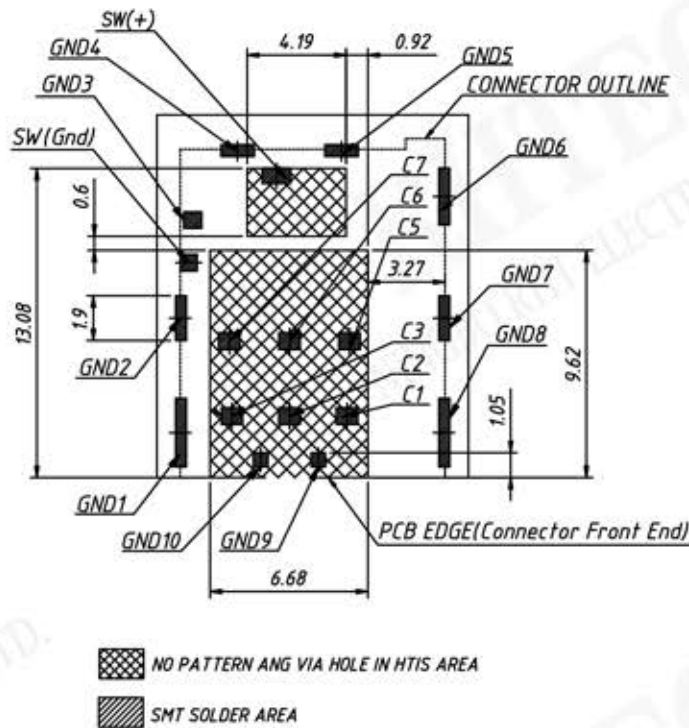


SIM Card Pin Assignments	
Pin No.	Name
C1	VCC
C2	RST
C3	CLK
C4	Reserved
C5	GND
C6	VPP
C7	I/O
C8	Reserved

P/N: RE-C-SIM-103



RECOMMENDED PCB LAYOUT TOL:±0.05
RECOMMENDED METAL MASK T=0.12MM



Material:

Contact:Copper Alloy,Au over Ni.
Housing:Glass Filled LCP.
Shell:Stainless,Au over Ni.
GND Frame:Copper Alloy,Au over Ni.
Detection Switch:Copper Alloy,Au over Ni.
Slide:Glass Filled Pa10t.
Spring:Stainless.
Hook:Stainless.

Electrical:

Rated current:0.5A Max
Rated Voltage:30V AC
Contact Resistance:100mΩ Max.
Insulation Resistance:1000MΩ Min./500V DC
Dielectric Withstanding Voltage:500V AC/minute.
Solder ability:250oC ±5oC,10±0.5s
Durability:5000 Cycles.
Mating and Unmating force Insertion Force 10N Max,Withdrawal FORE 0.5n Min.