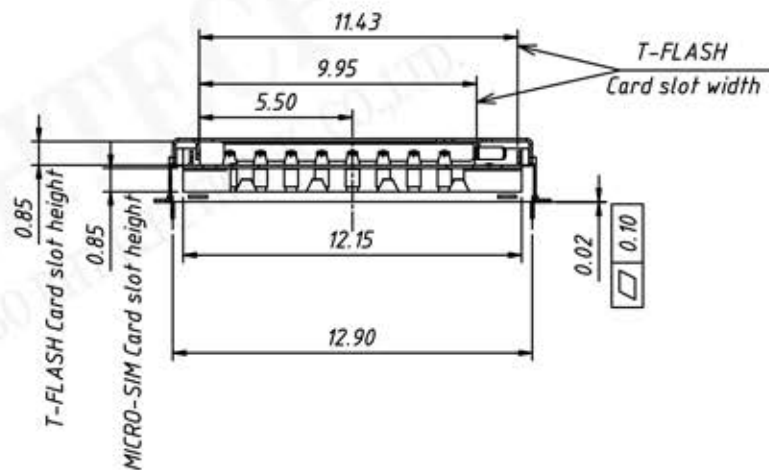
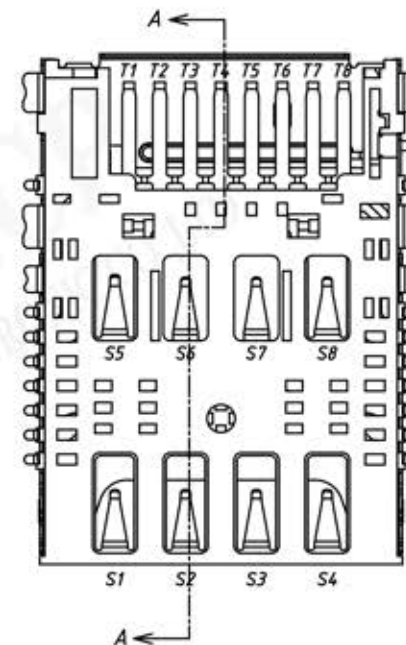
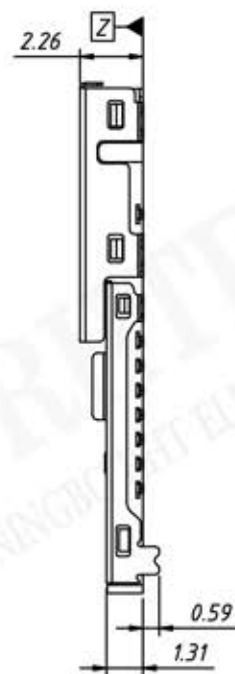
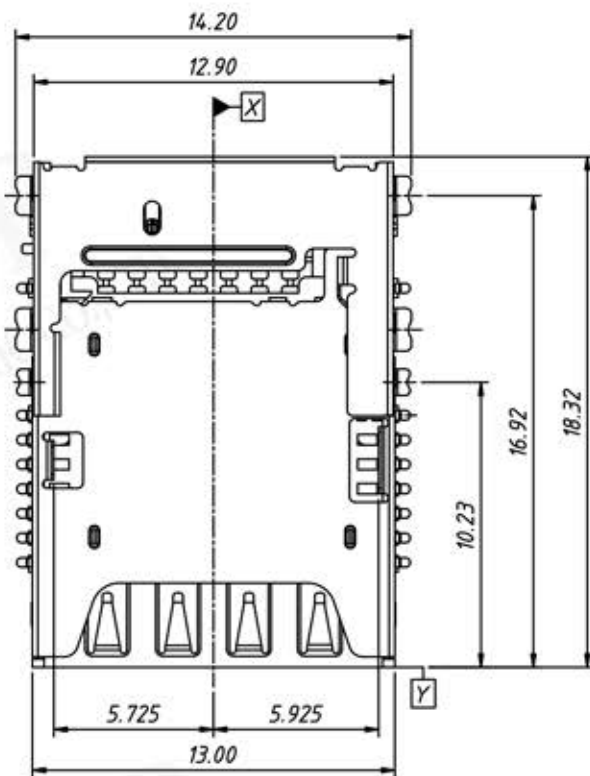


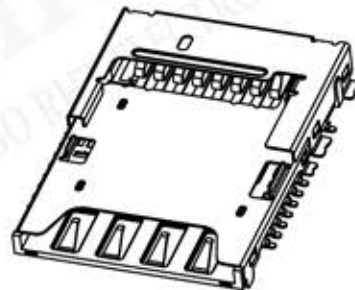
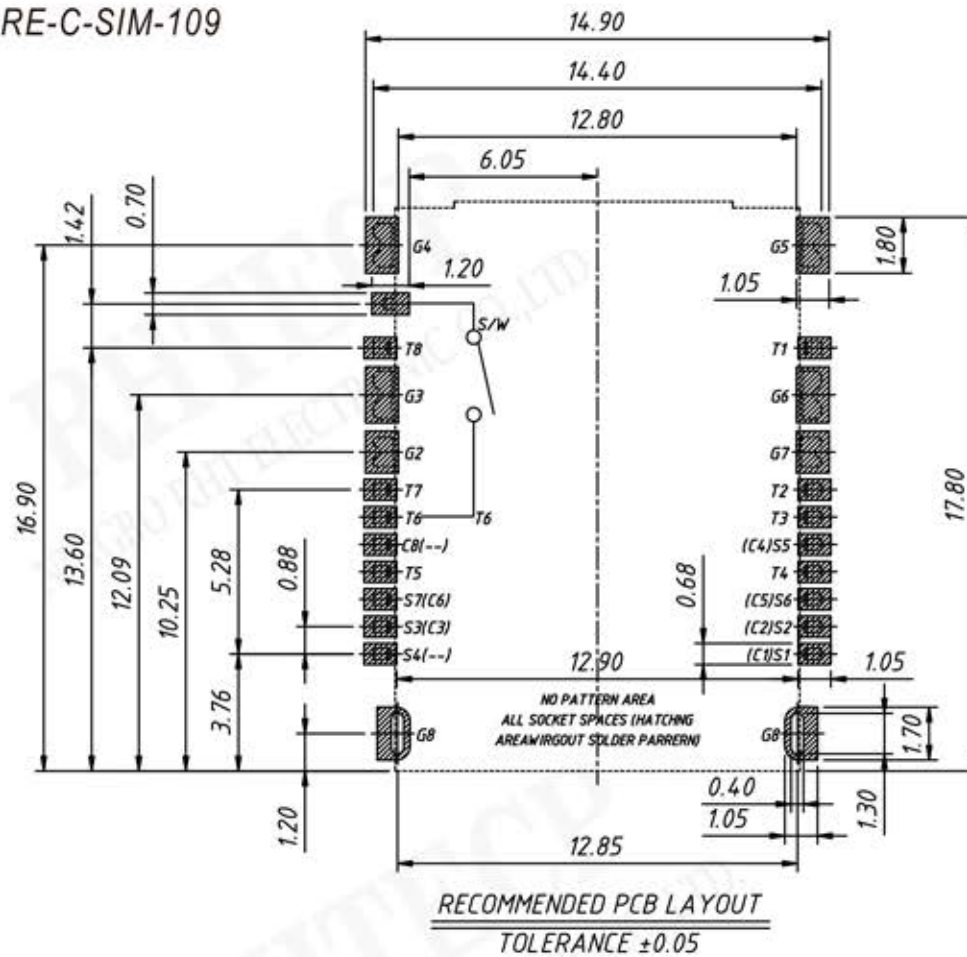
P/N: RE-C-SIM-109



SECTION:A-A
SCALE:1:1



UNITS:mm	SHEET SIZE:A4		SCALE:---
> 0~3	> 3~18	> 18~50	> 50~120
± 0.12	± 0.15	± 0.3	± 0.5



Material:

Insulator: High Temp Thermoplastic, UL 94V-0, Black.
Terminal: Copper Alloy, Gold plating in contact area 1u", Soldering Area gilding 1u"
Upper Shell: Stainless Steel, Plate Nickel 50u".
Down Shell: SUS304 R-1/2H T=0.10mm, Plate Nickel 50u".

Electrical:

Insertion Force 1kgf Max.
Withdrawal Force 0.1kgf Min.
Durability: SIM 5000 Cycles, T 10000 Cycles.
Contact Resistance: Before testing 80mΩ Max, After testing 120mΩ Max.
Insulation Resistance: 1000MΩ
Withstanding Voltage: 500V AC For 1 minute.

MICRO SIM CARD PIN-MAP

BP	6P	DESCRIPTION
S1	C1	VCC(SUPPLY V)
S2	C2	RST(RESET)
S3	C3	CLK(CLOCK)
S4	--	RESERVED
S5	C4	GND
S6	C5	VPP(PROGRAM V)
S7	C6	I/O
S8	--	RESERVED
G1-G8		GND

MICRO SIM CARD PIN-MAP

PIN NO.	DESCRIPTION
T1	DAT2
T2	CD/DAT3 ²
T3	CMD
T4	VDD
T5	CLK
T6	VSS(GND)
T7	DAT0
T8	DAT1