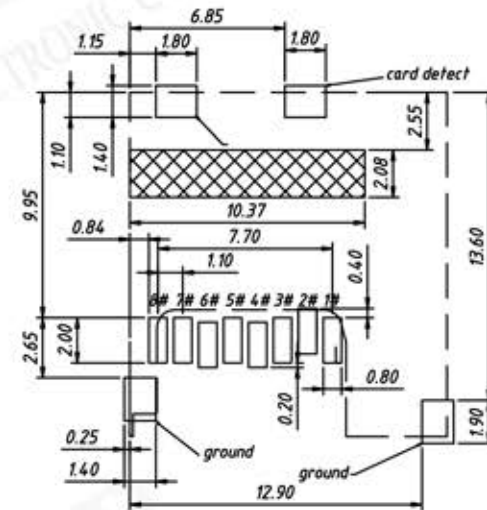
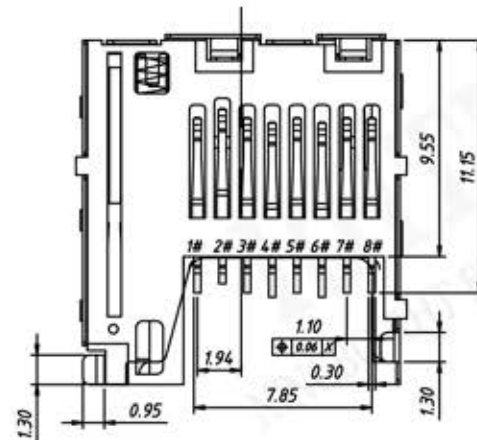
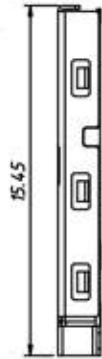
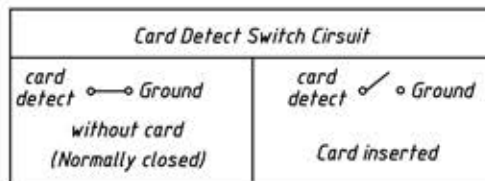
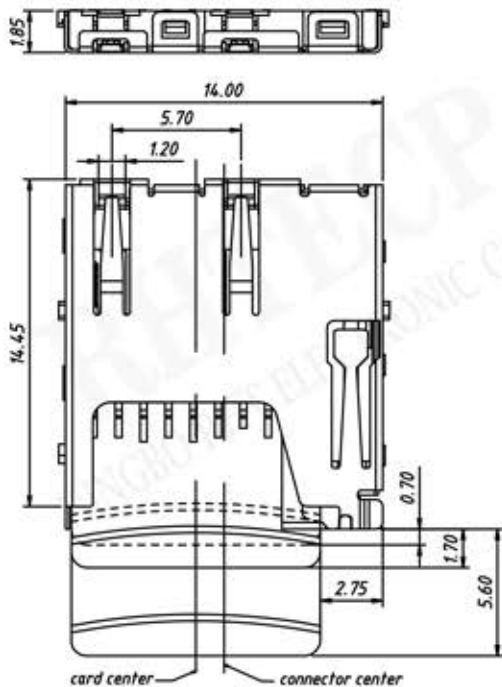
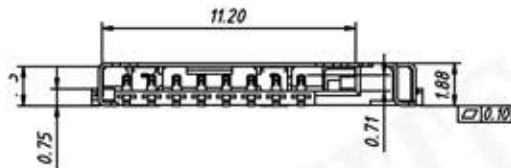


P/N: RE-C-TF-001B



RECOMMENDED PCB LAYOUT
ALL TOLERANCE ± 0.05



Micro SD Definition

PIN NO	NAME	FUNCTION
1	DAT2	DATE LINE(BIT2)
2	CD/DAT3	CARD DETECT DATE LINE(BIT3)
3	CMO	COMMAND RESPONSE
4	VDD	SUPPLY VOLTAGE
5	CLK	CLOCK
6	VSS	CARD DETECT
7	DAT0	DATE LINE(BIT0)
8	DAT1	DATE LINE(BIT1)

Material:
Housing:LCP,UL94V-0, Black.
Contact:Phosphor Bronze.
Shell:SUS304.
Coil Sping:SUS.
Latch:SUS.
Slider:LCP,UL94V-0, Black.
Tin 100u" at solder tail,Ni60u" min selective gold on contact area plating.

Electrical:
Contact Resistance:100m Ω Max.
Dielectric Withstanding Voltage:500V AC Max with 1 Minute.
Insulation Resistance:1000M Ω Min.
Current Rating:0.5mA AC/DC max.
Rated Voltage:100V RMS Min.
Mating Force:13.8N Max.
Unmating Force:13.8N Min.
Contact Resistance Force:100g Min.Per Pin
Operating Temperature:-25°C TO +85°C
Storage Temperature:-40°C TO +85°C