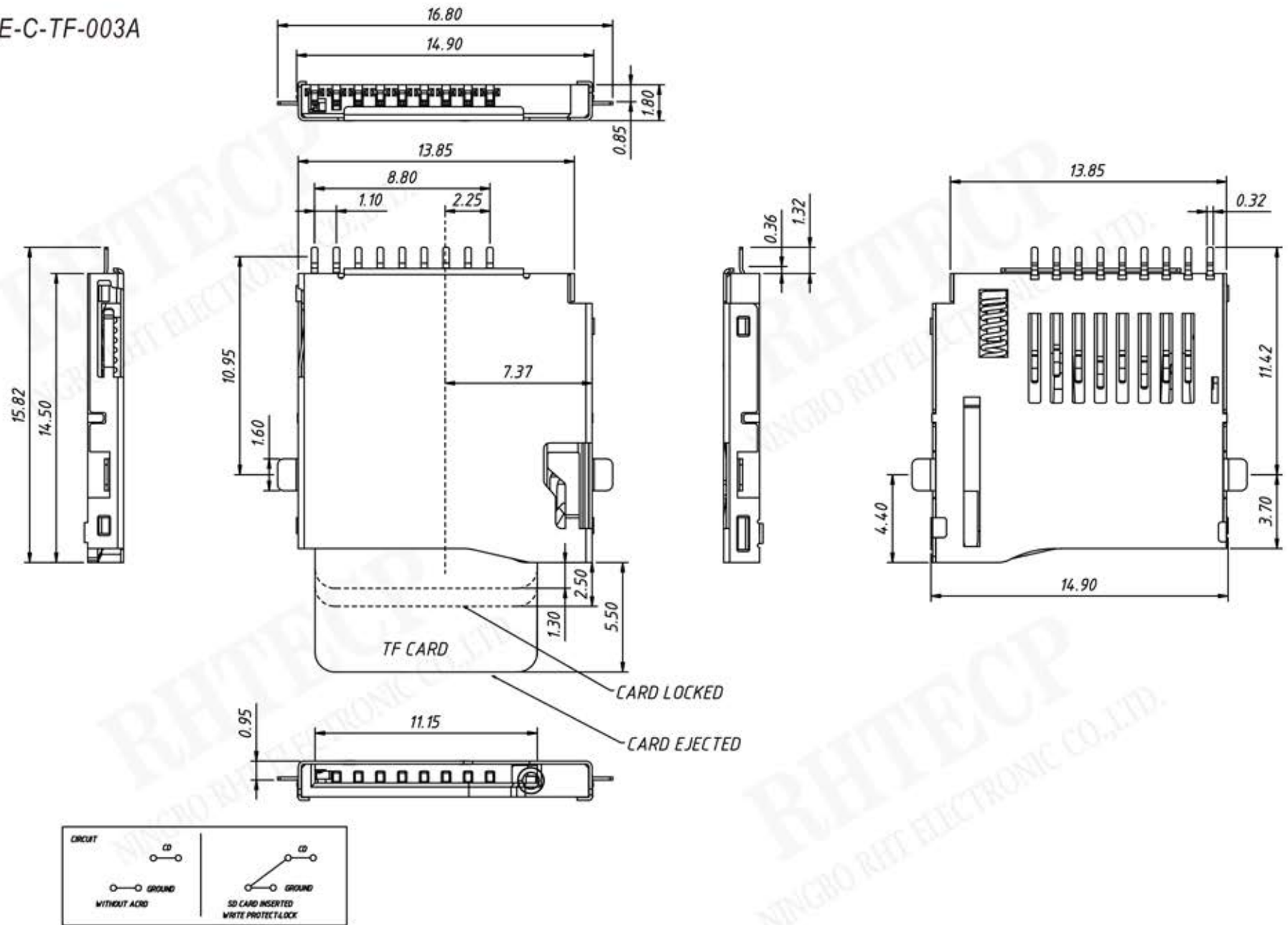
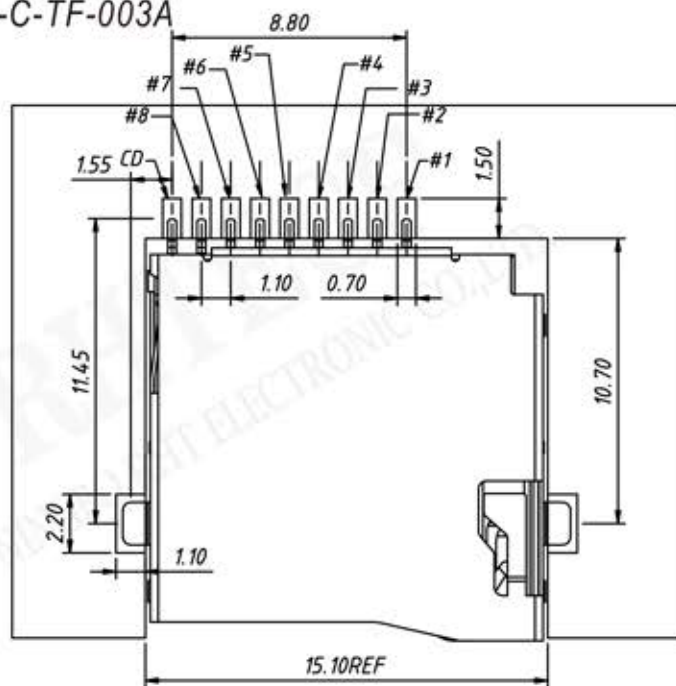


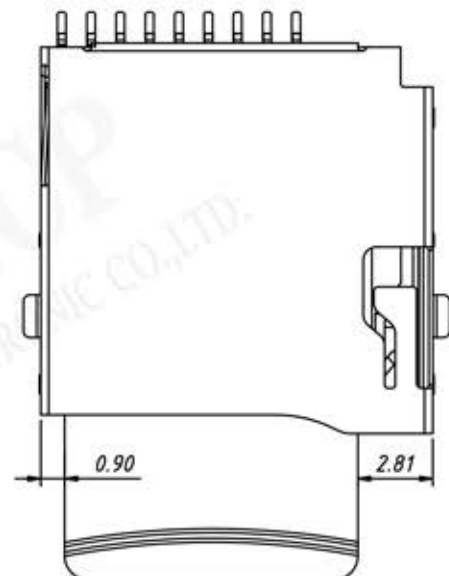
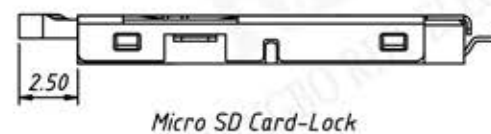
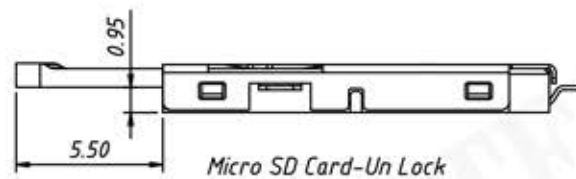
P/N: RE-C-TF-003A



P/N: RE-C-TF-003A



T-Flash Card Insert Drawing:

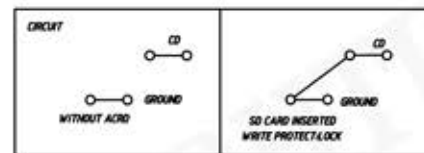


Material:

Insulator: High Temperature Thermoplastic, UL94V-0.
 Contact: Copper Alloy, Plated 50u" Ni Overall. Plated Au Selective Contact Area Plated 100u" Sn Over Ni On Solder Area.
 Shell: Plated 50u" Ni Overall. Plated 1u" Au Selective Contact Area.

Electrical:

Current Rating: 0.5mA AC/DC amx.
 Voltage Rating: 125V AC/DC
 Ambient Temperature Range: -20°C ~ +60°C
 Storage Temperature Range: -40°C ~ +70°C
 Ambient Humidity Range: 95% R.H. Max.
 Contact Resistance: 100mΩ Max.
 Insulation Resistance: 1000MΩ Min./500VDC
 Mating Cycles: 10000 Insertions.
 Peak temperature: 260°C ±0.5°C



PIN NO.	PIN ASSIGNMENT
1 #	DAT2
2 #	CD/DAT3
3 #	CMD
4 #	VDD
5 #	CLK
6 #	VSS
7 #	DAT0
8 #	DAT1
CD	CD