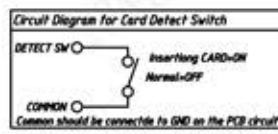
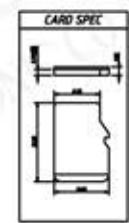
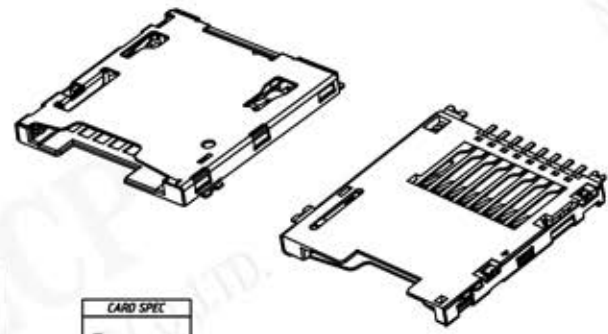
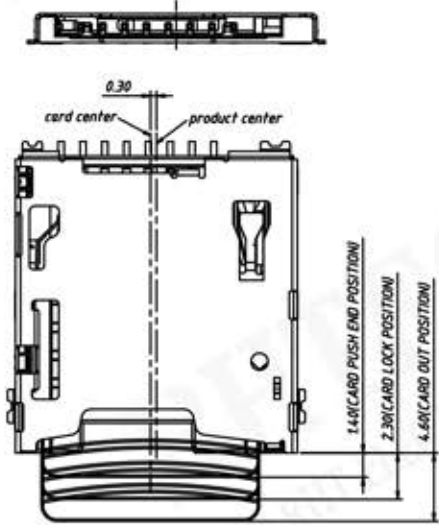
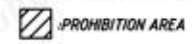


PIN NO.	DISCRIPTION
Pin 1	DAT2>Data line
Pin 2	CD/DAT3:Card Detect/Data line
Pin 3	CMD:Command/Response
Pin 4	VDD:Supply voltage
Pin 5	CLK:Clock
Pin 6	VSS:Supply voltage ground
Pin 7	DAT0>Data line
Pin 8	DAT1>Data line
Pin 9	ANT1
Pin 10	ANT2
Pin 11	Detect SW(GND)
Pin 12	Detect SW(CD)
GND	Cover GND

RECOMMENDED PCB LAYOUT
TOLERANCE UNLESS OTHERWISE IS ±0.05



Notes:

1. Coplanarty spec. For all solder tails and solder pads is 0.1mm max.
2. Electrical Characteristics:
 - 2-1: Current Rating: 0.5 Amp. MAX.
 - 2-2: Voltage: 100V DC. MAX
 - 2-3: Low Level Contact Resistance: 100mΩ Max. Initially.
 - 2-4: Dielectric Withstanding Voltage: 500V AC MIN. For 1 minute.
 - 2-5: Insulation Resistance: (Initial) 1000MΩ Min. (Final) 100MΩ Min.
3. Mechanical Characteristics:
 - 3-1: Operating Temp Range: -25°C TO +85°C (Including Terminal Temp. Rise)
 - 3-2: Storage Temp: -40°C TO +85°C
 - 3-3: Durability: 1500 Cycles.

UNITS:mm	SHEET SIZE:A4		SCALE: ---
> 0 ~ 3	> 3 ~ 18	> 18 ~ 50	> 50 ~ 120
± 0.12	± 0.15	± 0.3	± 0.5