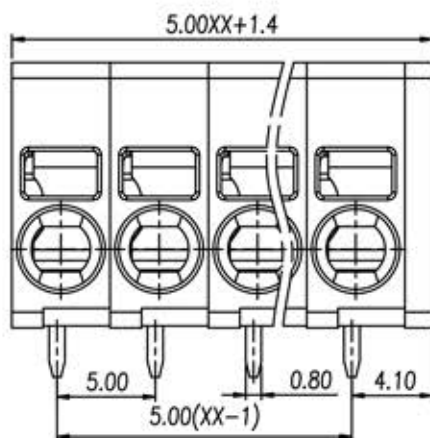
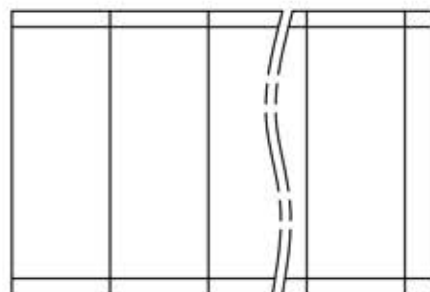
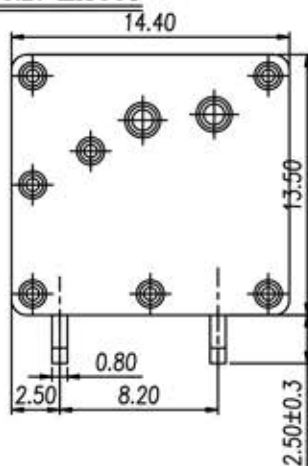


P.C.B. LAYOUT



linear dimension(Tolerances Standard GB/T 14486-2008)								—	□	⊥
variable range	to 6	over 6 to 10	over 10 to 30	over 30 to 60	over 60 to 100	over 100 to 160	over 160 to 10	over 10 to 100	over 100 to	
tolerance	±0.20	±0.30	±0.50	±0.70	±1.00	±1.30	±1.60	0.10	0.30	0.60

UL/CUL 技术参数		UL/CUL Technical Data					
等级	Use Group	B	C	D			
额定电压	Rated Voltage [V]	300	-	300			
额定电流	Rated Current [A]	20	-	10			
接线范围	Wire Range				24-12		
单/多芯线	Solid/Stranded [AWG]						
耐电压	Withstanding Voltage				1600V/1Min		
IEC 技术参数		IEC60947-7-4					
IEC Technical Data							
过电压类别	Overvoltage Category	III	III	II			
污染等级	Contamination Class	3	2	2			
额定电压	Rated Voltage [V]	250	400	630			
额定电流	Rated Current [A]	24	24	24			
额定冲击电压	Impulse withstand voltagea [KV]	4.0	4.0	4.0			
导线截面积	Conductor cross section				0.2-4.0/0.2-2.5		
硬质/柔性导线	Solid/flexible [mm ²]						
材料		Material					
绝缘材料	Insulation Material	PA66					
阻燃等级	Imfiammability	UL94V-0					
导体材料	Contacto Material	铜合金 Copper alloy					
导体表面镀层	Contactive Coating	镀锡 Sn Plated					
一般参数		Other Data					
间距	Pitch /极数 Poles [mm] / [P]	5.0/1-30					
剥线长度	Stripping Length [mm]	9-10					
螺丝	Screw/扭矩 Torque(Max) [N.m]	/					
工作温度	Operating temperatur [°C]	-40-105					
引针尺寸	Pin Dimensions [mm]	0.8*0.8					
PCB板孔径	PCB Hole Diameter [mm]	Ø1.3					