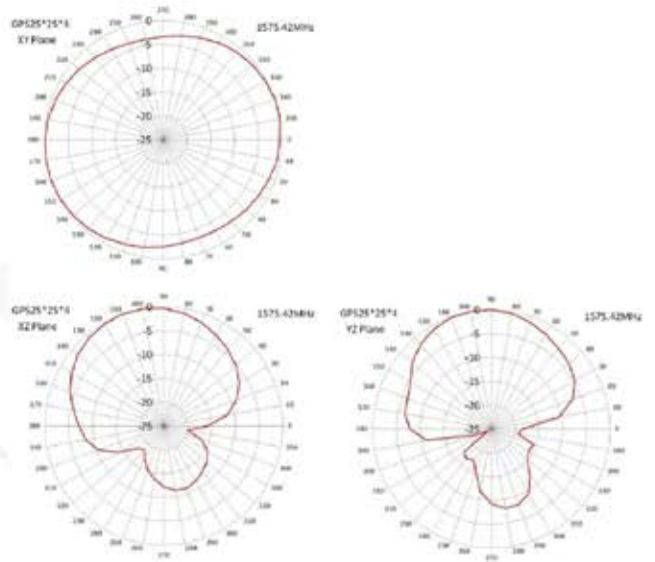
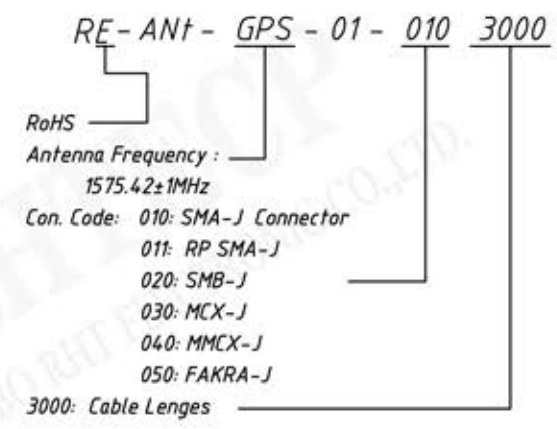


**Specification:**  
**Antenna**  
 Center Frequency: 1575.42±1MHz  
 Band Width: CF±5MHz  
 Polarization: RHCP  
 Gain: 5dBic (Zenith)  
 V.S.W.R: <1.5  
 Impedance: 50Ω  
 Axial Ratio: 3dB (max)  
 Dimension: 25×25×4mm

**LAN**  
 Gain: 28±2dB  
 Noise Figure: <1.5  
 Filter Insertion Loss: <3dB  
 Ex-band Attenuation: 12dB@CF+50MHz / 16dB@CF-50MHz  
 Supply Voltage: 2.2~5V DC  
 Current Consumption: 5~15mA  
 V.S.W.R: <2.0  
 Cable: RG174  
 Connector: SMA/MCX/FAKRA or others  
 Radome Material: ABS  
 Mounting Method: Magnet  
 Environmental: Operating Temperature: -40℃~+85℃

**Order formation**



|          |         |               |           |            |  |
|----------|---------|---------------|-----------|------------|--|
| UNITS:mm |         | SHEET SIZE:A4 |           | SCALE: --- |  |
| > 0~ 3   | > 3~ 18 | > 18~ 50      | > 50~ 120 |            |  |
| ± 0.12   | ± 0.15  | ± 0.3         | ± 0.5     |            |  |