

**Specification:**

**Antenna**

**Center Frequency:**1575.42±1MHz

**Band Width:**CF±5MHz

**Polarization:**RHCP

**Gain:**5dBic (Zenith)

**V.S.W.R.:**<1.5

**Impedance:**50Ω

**Dimension:**25x25x4mm

**LAN**

**Gain:**28±2dB

**Noise Figure:**<2

**Ex-band Attenuation:**30dB@CF±40MHz

**Supply Voltage:**3~5V DC

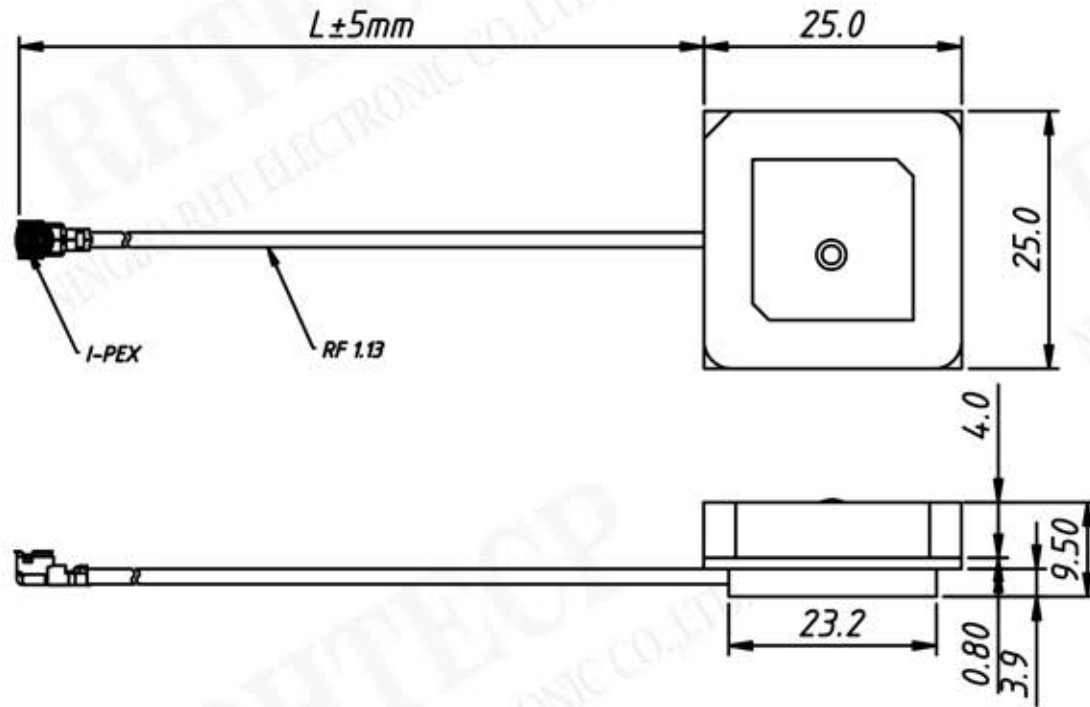
**Current Consumption:**5~10mA

**V.S.W.R.:**<2.0

**Cable:**RF 1.13

**Connector:**I-PEX

**Environmental:**Operating Temperature :-40℃~+85℃



**Order Information**

RE-ANT - GPS- 06D - B 200

RoHS

Antenna Frequency :

1575.42±1MHz

Color Code: B: Black

G: Gray

200: Cable Lenges