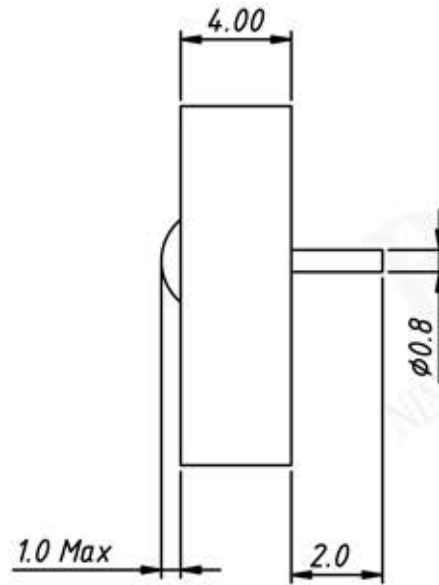
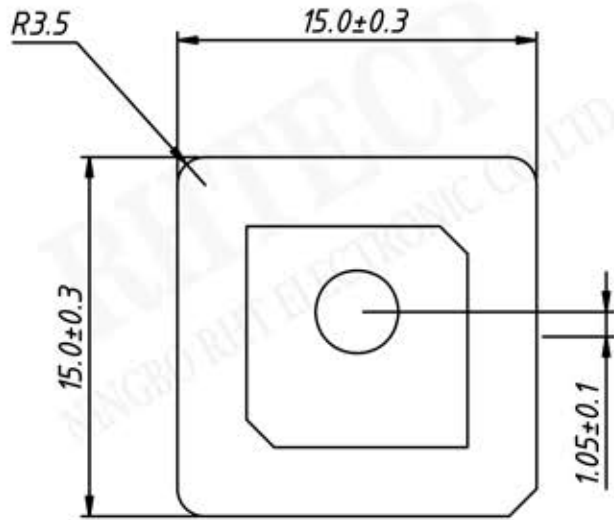
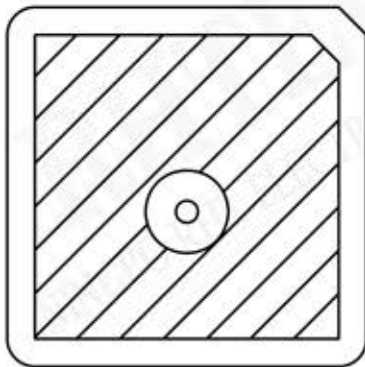


P/N: RE-ANT-C1540-1575



**Specification:**

**Frequency Range:** 1575.42±3MHz  
**Band Width :** 5MHz Min.  
**Polarization:** RHCP  
**In/Out Impedance:** 50Ω  
**Gain:** 3dBi (Zenith)  
**V.S.W.R:** 1.5 Max.  
**Axial Ratio :** 5.0dB Max.  
**Operating Temperature :** -40℃ ~ +85℃



UNITS:mm		SHEET SIZE:A4		SCALE: ---	
> 0~ 3	> 3~ 18	> 18~ 50	> 50~ 120		
± 0.12	± 0.15	± 0.3	± 0.5		