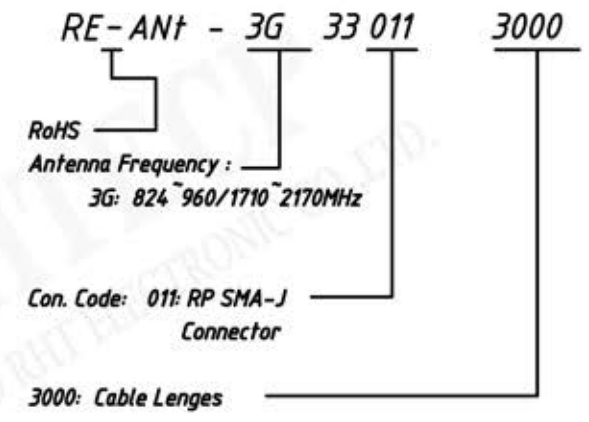


Specification:
 Frequency : 824~960/1710~2170MHz
 Band width: 136/460MHz
 Gain : 3dBi
 Vswr : 2.0 Max.
 Impedance : 50 Ω
 Polarization : Vertical
 Radiation : OMNIDIRECTIONAL
 Max power : 10W
 Connector : RP SMA-J
 Cable: RG174, Black
 Length:3000mm
 Lightning protection: DC Grounding
 Operating Temperature : -30°C to +70°C

Order Information



UNITS:mm		SHEET SIZE:A4		SCALE: ---	
> 0~ 3	> 3~ 18	> 18~ 50	> 50~ 120		
± 0.12	± 0.15	± 0.3	± 0.5		