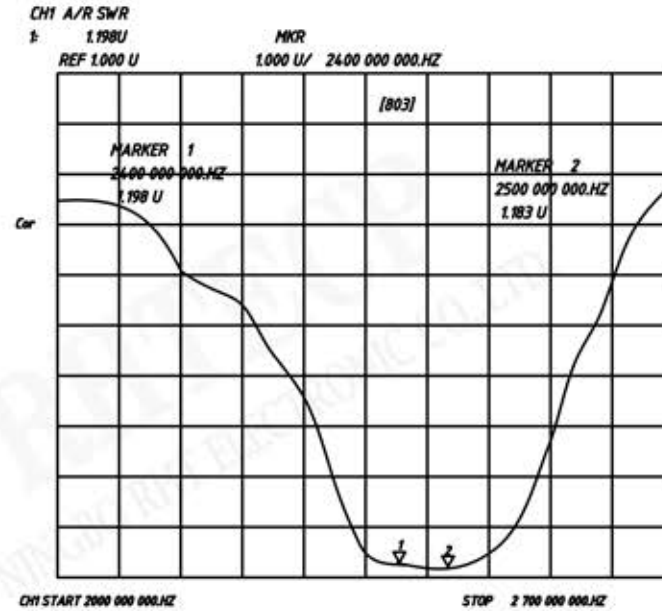
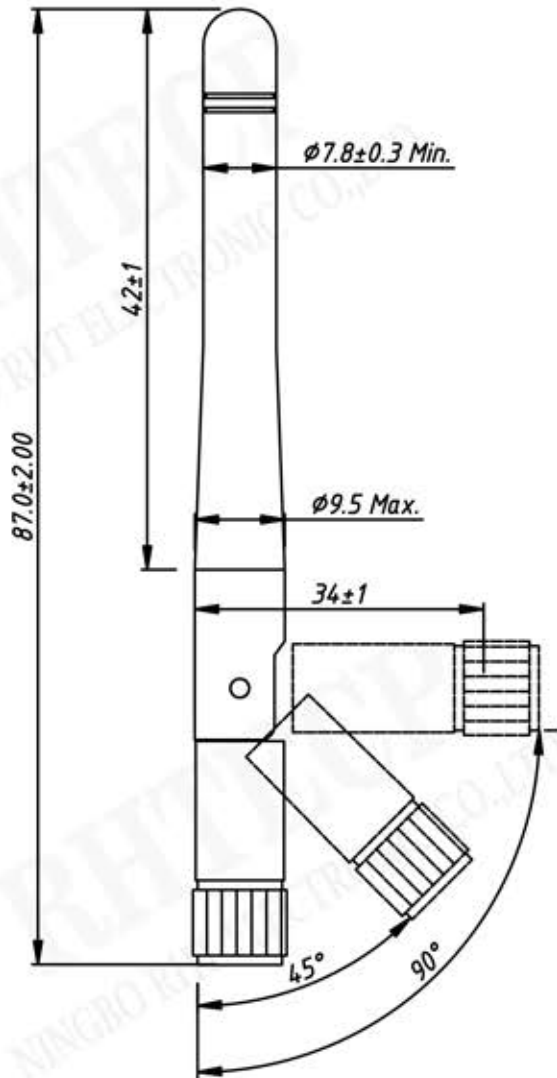


P/N:RE-ANT-WIFI-2.4G-04-MS-87mm



Specification:

Frequency : 2400 ~ 2500MHz

Gain : 3dBi

Vswr : 1.5 Max.

Impedance : 50 Ω

Polarization : Vertical

Radiation : OMNIDIRECTIONAL

Max power : 50W

Shell material : PVC

Connector : SMA Pin

Lightning protection: DC Grounding

Operating Temperature : -30°C to +70°C

UNITS:mm		SHEET SIZE:A4		SCALE: ---	
> 0 ~ 3	> 3 ~ 18	> 18 ~ 50	> 50 ~ 120		
± 0.12	± 0.15	± 0.3	± 0.5		