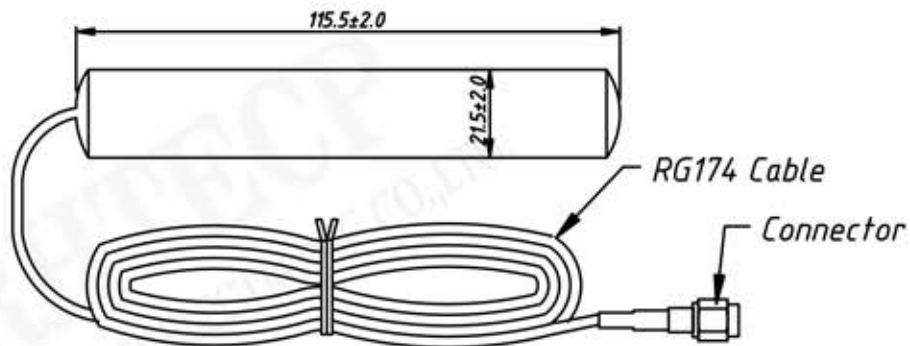


P/N:RE-ANT-WIFI05



Specification:

Frequency : 2400 ~ 2500MHz

Gain : 3dBi

Vswr : 1.5 Max.

Impedance : 50 Ω

Polarization : Vertical

Radiation : OMNIDIRECTIONAL

Max power : 50W

Shell material : PVC

Hight: 5.0±1.0MM

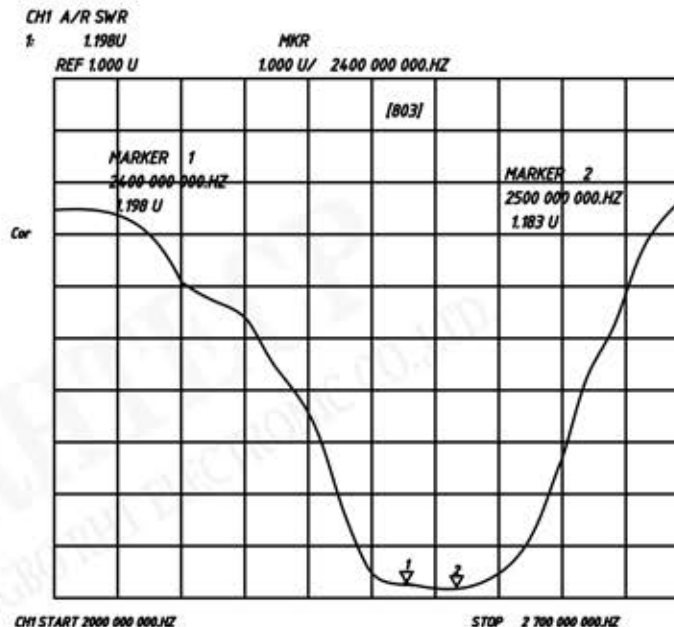
Connector : SMA Pin or SMA Jack

Cable: RG174, Black

Length:3000mm or Other

Lightning protection: DC Grounding

Operating Temperature : -30°C to +70°C



Order Information

