

Specification:

Antenna

Center Frequency: 1602-1610MHz / 1575.42±3MHz

Band Width: CF±5MHz

Polarization: RHCP

Gain: 5dBic

V.S.W.R: <1.5

Impedance: 50Ω

Axial Ratio: 3dB (max)

LAN

Gain: 28±2dB

Noise Figure: <1.5

Filter Insertion Loss: <3dB

Ex-band Attenuation: 35dB@CF±50MHz/50dB@CF±100MHz

Supply Voltage: 2.2~5V DC

Current Consumption: 10~20mA

V.S.W.R: <2.0

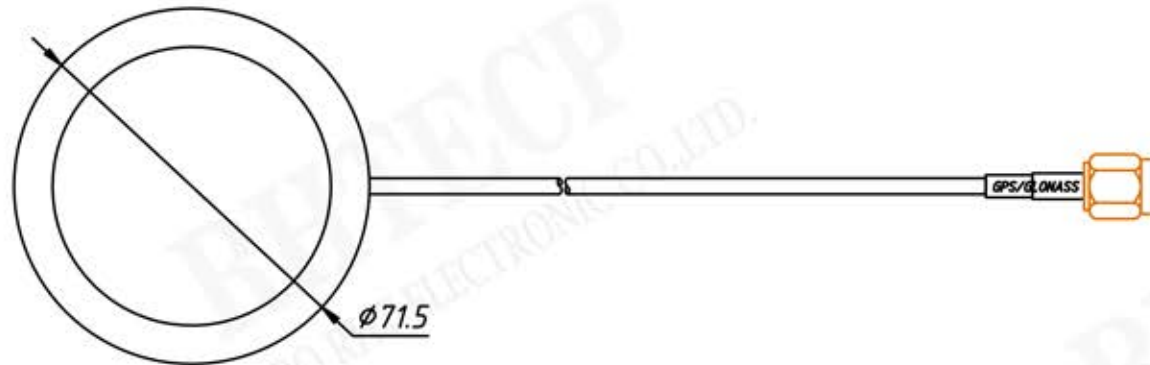
Cable: RG174

Connector: SMA/MCX/FAKRA or others

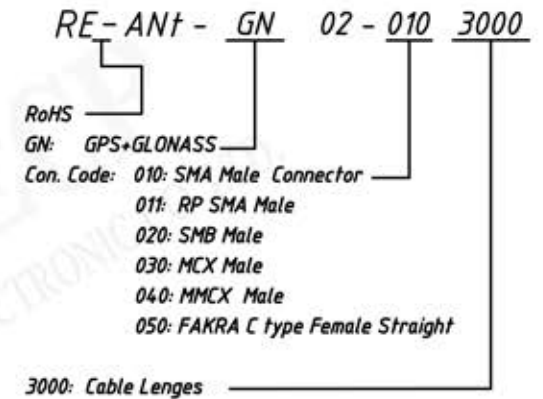
Radome Material: ABS

Mounting Method: Screw

Operating Temperature: -40℃~+85℃



Order Information



UNITS:mm		SHEET SIZE:A4		SCALE: ---	
> 0 ~ 3	> 3 ~ 18	> 18 ~ 50	> 50 ~ 120		
± 0.12	± 0.15	± 0.3	± 0.5		