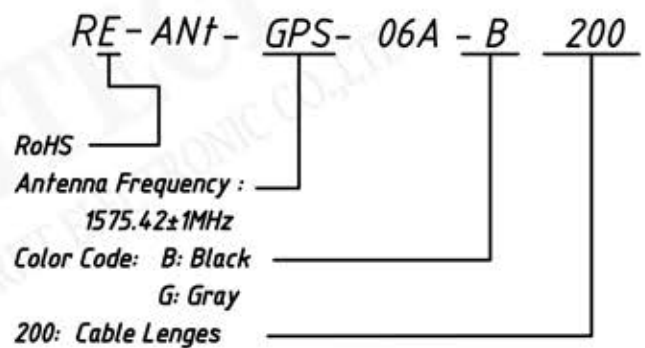


Specification:
Antenna
 Center Frequency: 1575.42±1MHz
 Band Width: CF±5MHz
 Polarization: RHCP
 Gain: 1dBic (Zenith)
 V.S.W.R: <1.5
 Impedance: 50Ω
 Dimension: 18×18×4mm

LAN
 Gain: 28±2dB
 Noise Figure: <2
 Ex-band Attenuation: 30dB@CF±40MHz
 Supply Voltage: 3~5V DC
 Current Consumption: 5~10mA
 V.S.W.R: <2.0
 Cable: RF 1.13
 Connector: I-PEX
 Environmental: Operating Temperature : -40℃~+85℃

Order Information



UNITS:mm		SHEET SIZE:A4		SCALE: ---	
> 0~ 3	> 3~ 18	> 18~ 50	> 50~ 120		
± 0.12	± 0.15	± 0.3	± 0.5		