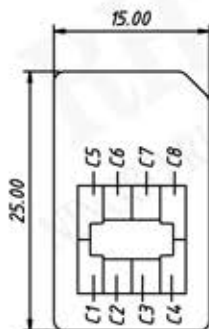
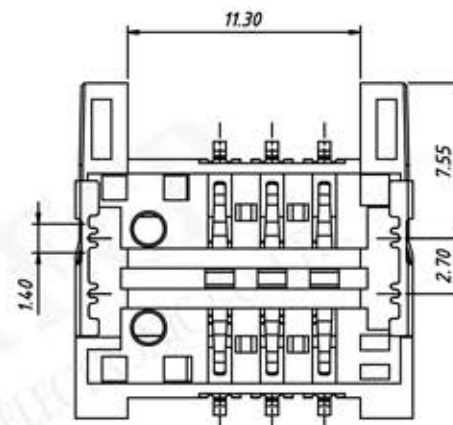
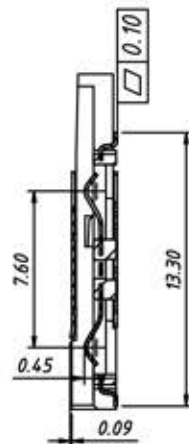
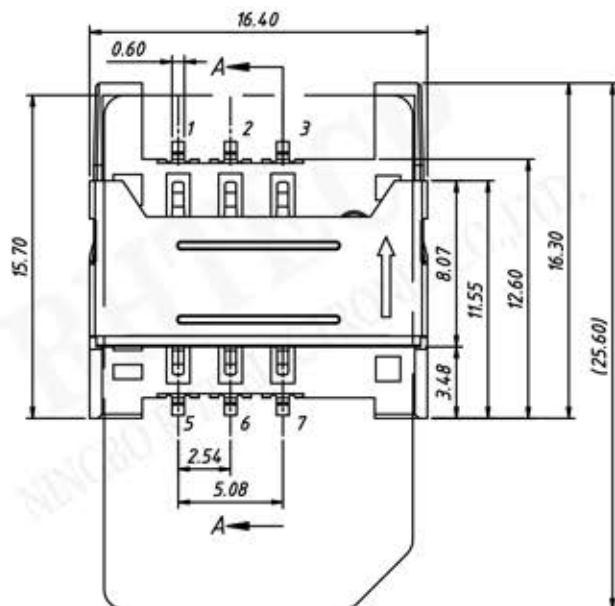
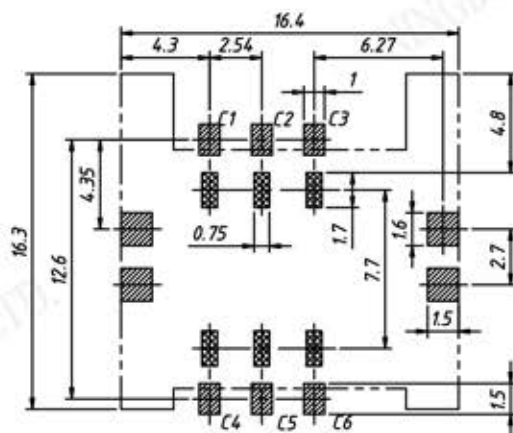


P/N: RE-C-SIM-044A-6P-H2.2-R



C1:VCC
C2:RST
C3:CLK

C5:GND
C6:VPP
C7:I/O



RECOMMENDED PCB LAYOUT
TOP VIEW(.XX ±0.05)

▨ Prohibited area ▨ Solder area

Material:
Housing:High Thermoplastic,UL 94V-0.Black.
Terminal:Copper Alloy.
Shell:Copper Alloy.

Finish:
Contact:Gold Over Nickel.
Shell:Nickel Over All Over.

Electrical:
Operating Voltage:30V
Current Rating:0.5 A.
Operating Temperature:-20°C TO +85°C.