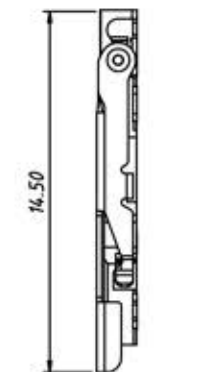
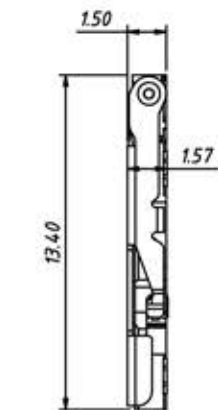
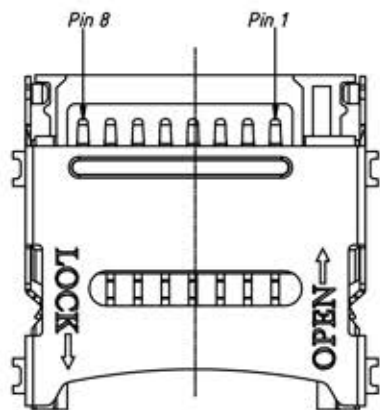
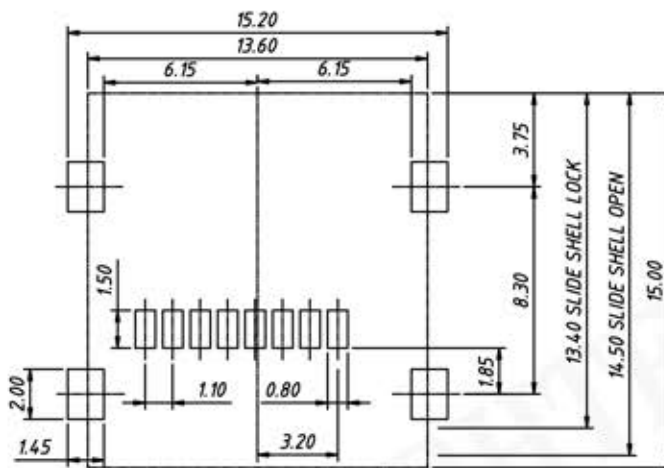
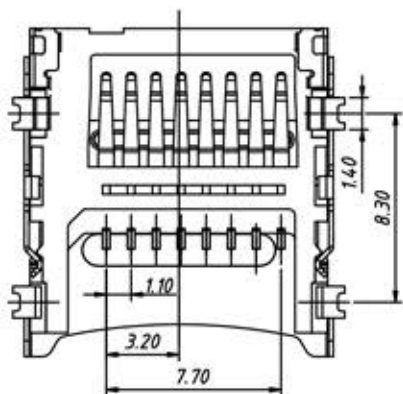
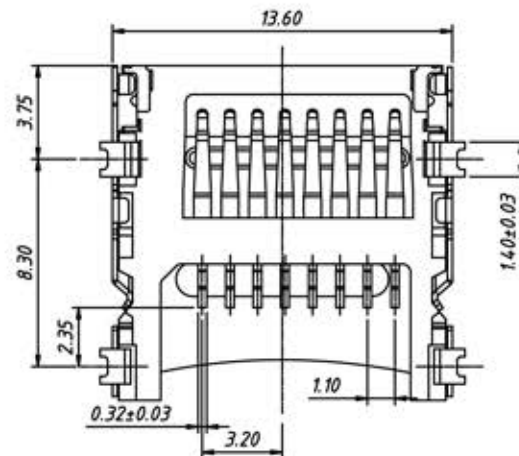


P/N: RE-C-TF-007-H1.5-R



SLIDE SHELL OPEN

SLIDE SHELL LOCK



RECOMMENDED PCB LAYOUT
TOLERANCE: ±0.05

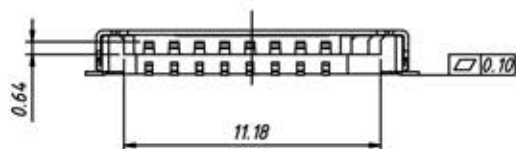
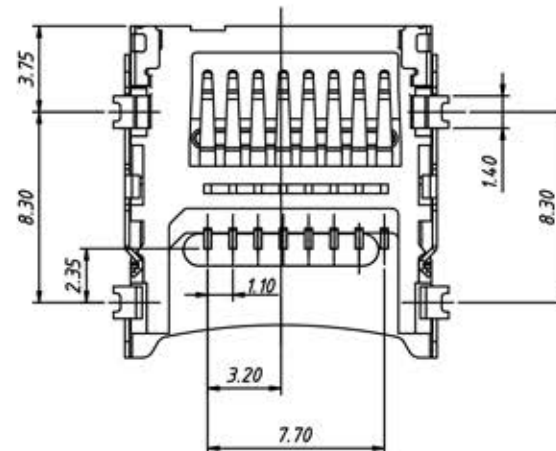
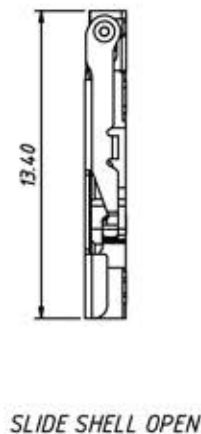
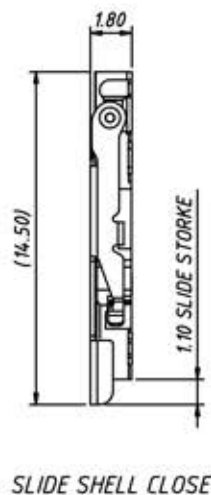
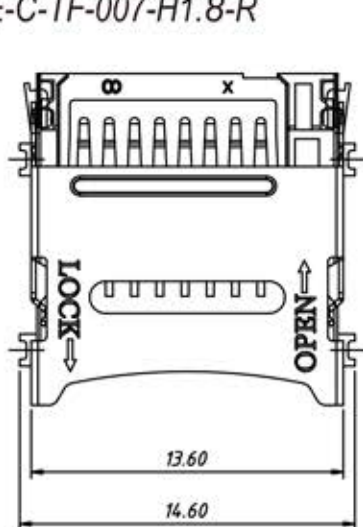
Material:

Housing: High Temperature Thermoplastic, UL 94V-0, Black.
Terminal: Copper Alloy.
Stator: Copper Alloy.
Shell: Stainless Steel.

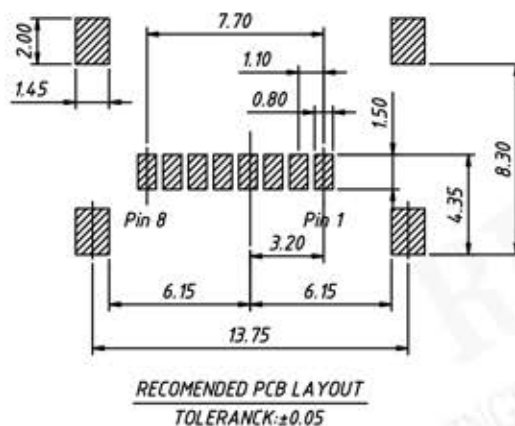
Electrical:

Rated current: 1.0A
Rated Voltage: 30V
Contact Resistance: 50mΩ Max.
Insulation Resistance: 100MΩ Min./100V DC
Dielectric Withstanding Voltage: 100V AC.
Solder ability: 245°C ±5°C, 5±0.5s
Durability: 5000 Cycles.
Operating Condition: Temperature: -40°C TO +85°C

P/N: RE-C-TF-007-H1.8-R



PIN NO	NAME	TYPE	DESCRIPTION
1	DAT2	I/O/PP	DATE LINE(BIT2)
2	CD/DAT3	I/O/PP	CARD EDTECT DATE LIN(BIT3)
3	CMD	PP	COMMAND RESPONSE
4	VDD	S	SUPPLY VOLTAGE
5	CLK	I	CLOCK
6	VSS	S	SUPPLY VOLTAGE GROUND
7	DAT0	I/O/PP	DATE LINE(BIT0)
8	DAT1	I/O/PP	DATE LINE(BIT1)



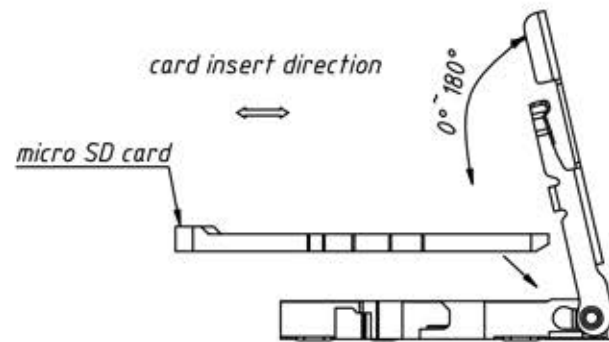
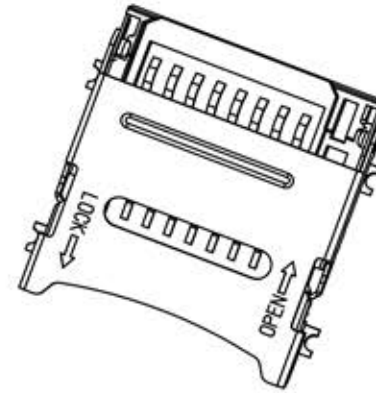
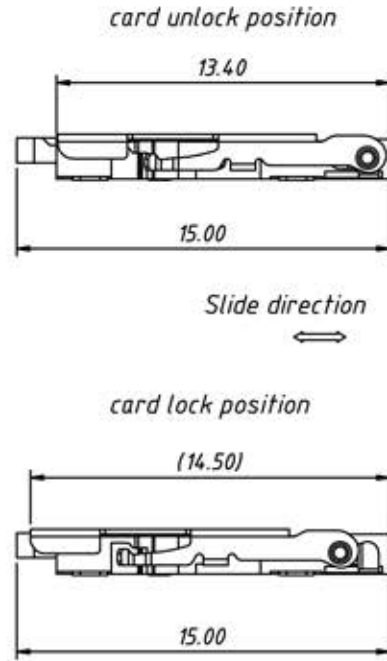
Material:

Insulator:Hi-Temperature Plastic,UL 94V-0.Black.
Terminal:Copper Alloy.AU Plating on all terminal contact area,and tin plating on solder tail area.
Shell:Stainless Steel.

Electrical:

Current Rating:0.5 A
Voltage Rating:5.0 vrms
Insulation Resistance:1000M Ω Min./500V DC
Withstanding Voltage:250V AC For 1 minute.
Contact Resistance:100m Ω Max.AT 10mA/20mV Max
Operating Temp Range:-40°C TO +85°C
Mating Cycles:10000 Insertions.

P/N: RE-C-TF-007-H1.8-R



RHTECP
NINGBO RHT ELECTRONIC CO.,LTD.

RHTECP NINGBO RHT ELECTRONIC CO.,LTD

UNITS:mm

SHEET SIZE:A4

SCALE: ---

> 0 ~ 3

> 3 ~ 18

> 18 ~ 50

> 50 ~ 120

± 0.12

± 0.15

± 0.3

± 0.5

 First angle projection

CONNECTOR