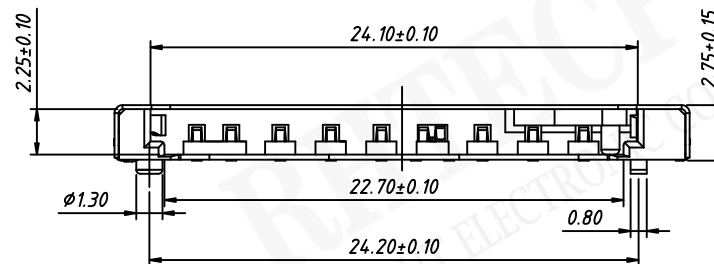
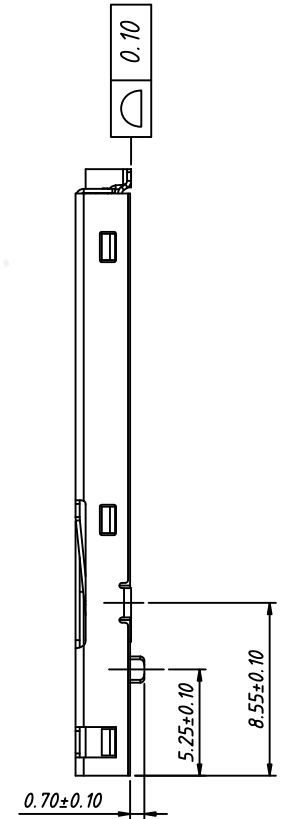
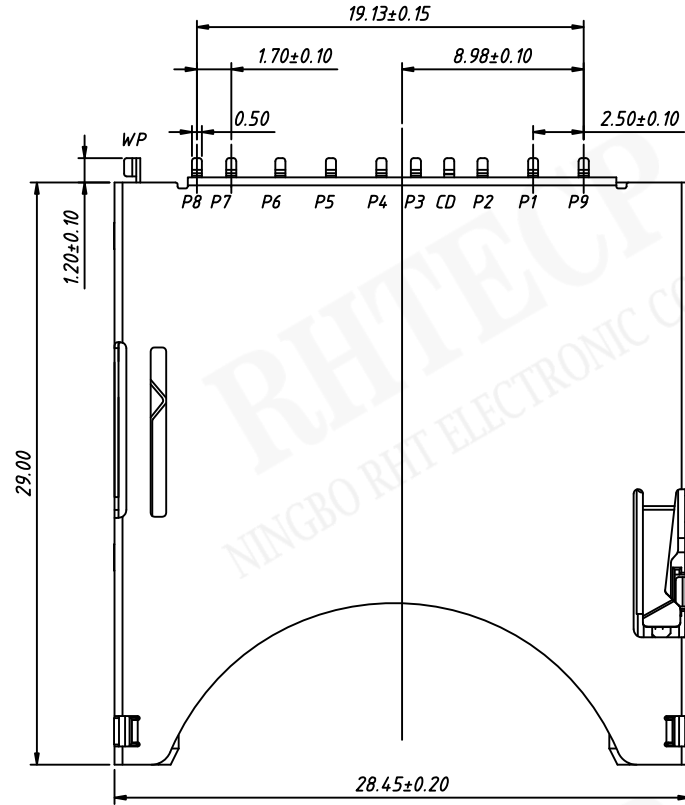
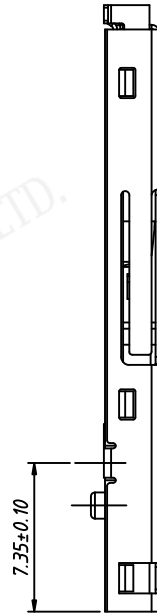


P/N:RE-C-SD-001

PIN NO.		SD	MMC
P1	MMC-DAT;SD-DAT3	1 P	1 P
P2	MMC-CMD;SD-CMD	2 P	2 P
P3	MMC-VSS1;SD-VSS1	3 P	3 P
P4	MMC-VDD;SD-VDD	4 P	4 P
P5	MMC-CLK;SD-CLK	5 P	5 P
P6	MMC-VSS2;SD-VSS2	6 P	6 P
P7	MMC-ADT;SD-DAT0	7 P	7 P
P8	SD-DAT1	8 P	
P9	SD-DAT2	9 P	



Material:

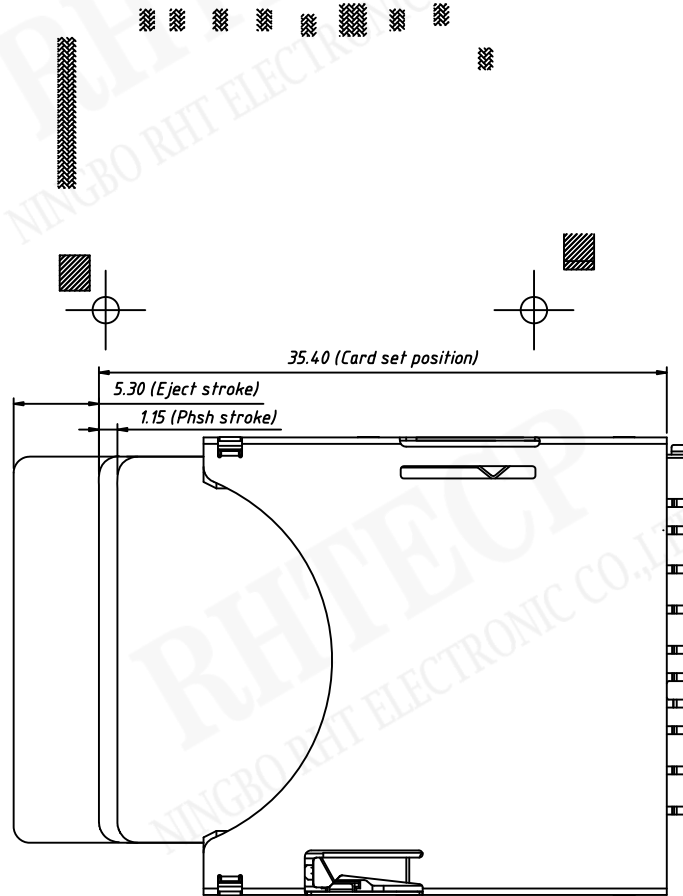
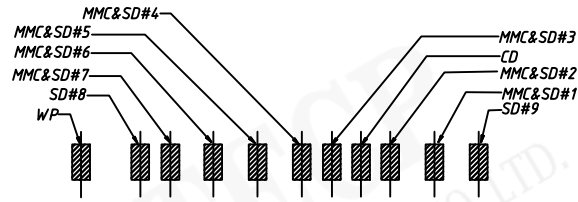
Insulator:High Temperature Thermoplastic,UL 94V-0.
 Contact:Copper Alloys.Plated 50u" Ni Overall Plated Au Selective Contact Area,Plated 100u" Sn Over Ni On Solder Area.
 Shell:Plated 50u" Ni Overall.

Electrical:

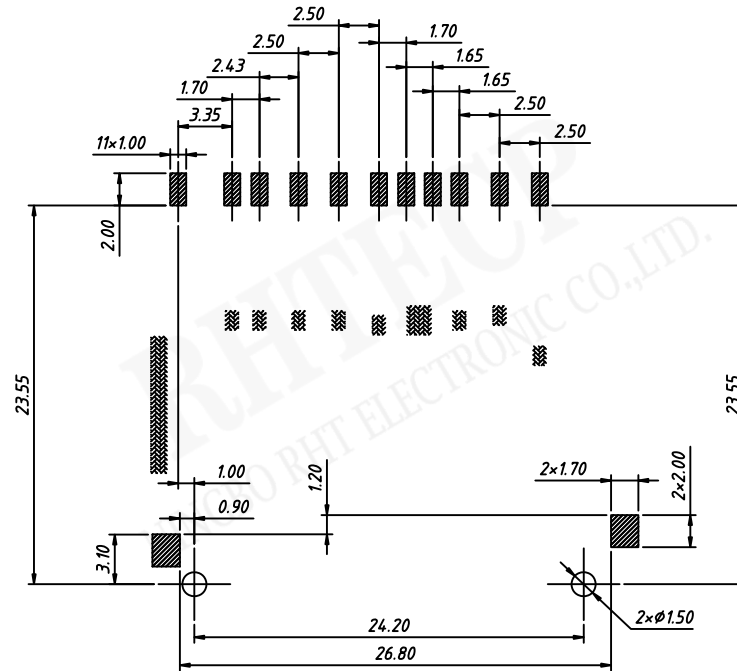
Voltage Rating:125V AC/DC
 Current Rating:0.5mA AC/DC Max.
 Ambient Temperature Range:-20°C ~ +60°C
 Storage Temperature Range:-40°C ~ +70°C
 Ambient Humidity Range:95% R.H. Max.
 Contact Resistance:100mΩ Max.
 Insulation Resistance:1000MΩ Min./500V DC
 Mating Cycles:10000 Insertions.

P/N: RE-C-SD-001

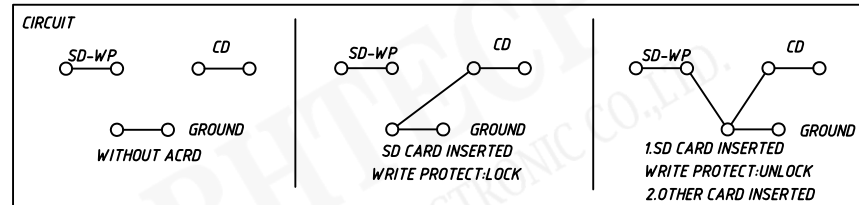
PIN ASSIGNMENT:



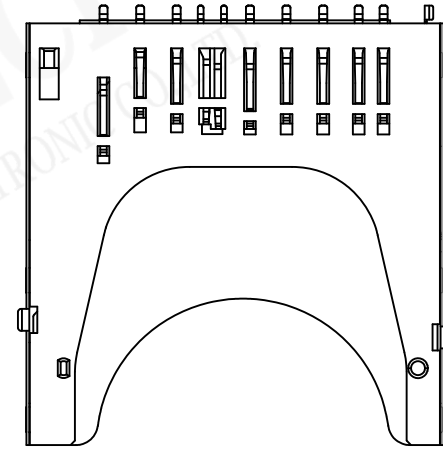
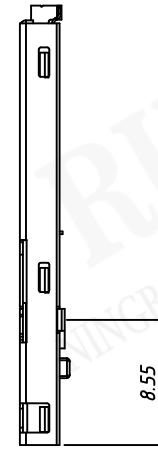
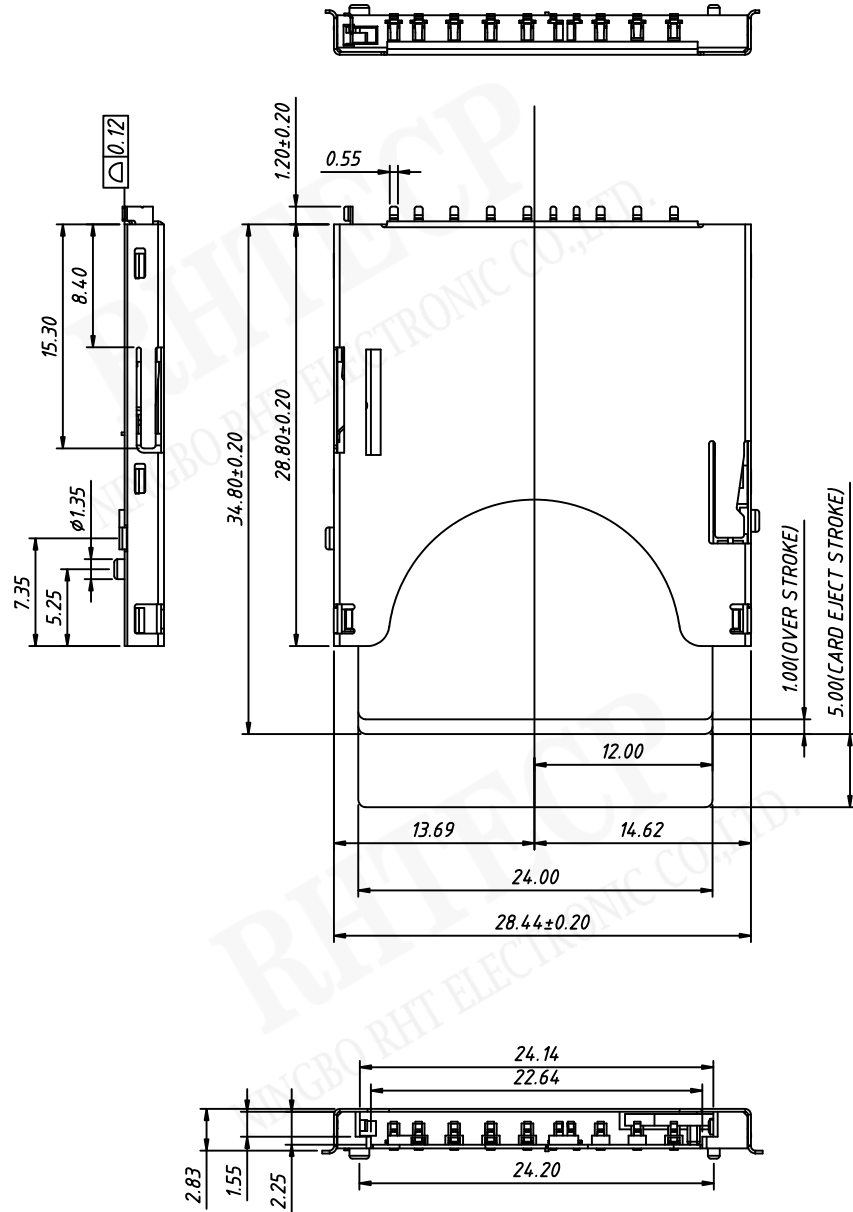
View of inserted card



Welding area
 Prohibited layout area



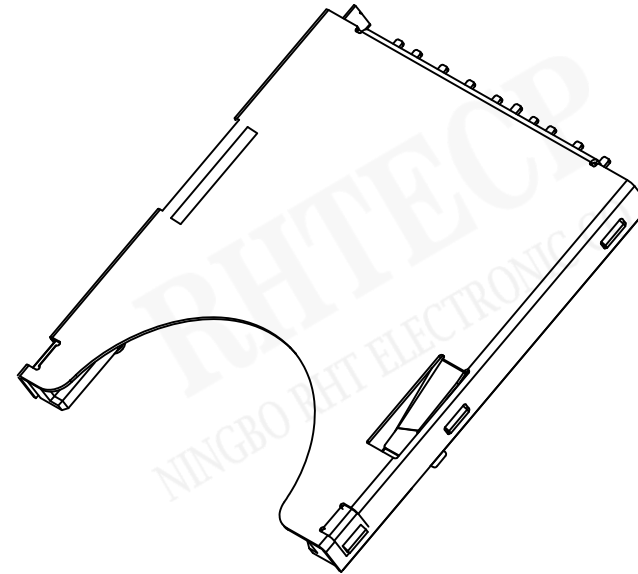
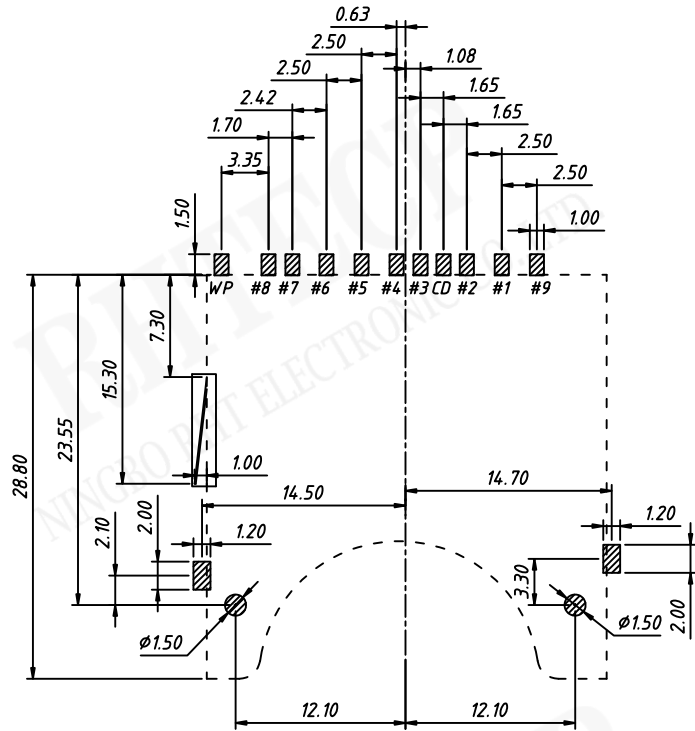
P/N: RE-C-SD-101



Material:
 Housing: High Temperature Plastic, UL 94 V-0. Black.
 Contact: Copper Alloys.
 Shell: Stainless.

Plating:
 Contact area: Gold Flash.
 Solder area: Matte Tin Plated.
 Under Plate: Nickel.
 Shell: Nickel Plated Over All.
 Solder area: Gold Flash.

P/N: RE-C-SD-101



PCB LAYOUT

SD CARD PIN DESIGN

PIN NO	NAME	TYPE	DESCRIPTION
#1	CD/DAT3	I/O/PP	CARD DETECT DATE LINE(BIT3)
#2	CMD	PP	COMMAND RESPONSE
#3	VSS1	S	SUPPLY VOLTAGE GROUND
#4	VDD	S	SUPPLY VOLTAGE
#5	CLK	I	CLOCK
#6	VSS2	S	SUPPLY VOLTAGE GROUND
#7	DAT0	I/O/PP	DATE LINE(BIT0)
#8	DAT1	I/O/PP	DATE LINE(BIT1)
#9	DAT2	I/O/PP	DATE LINE(BIT2)

