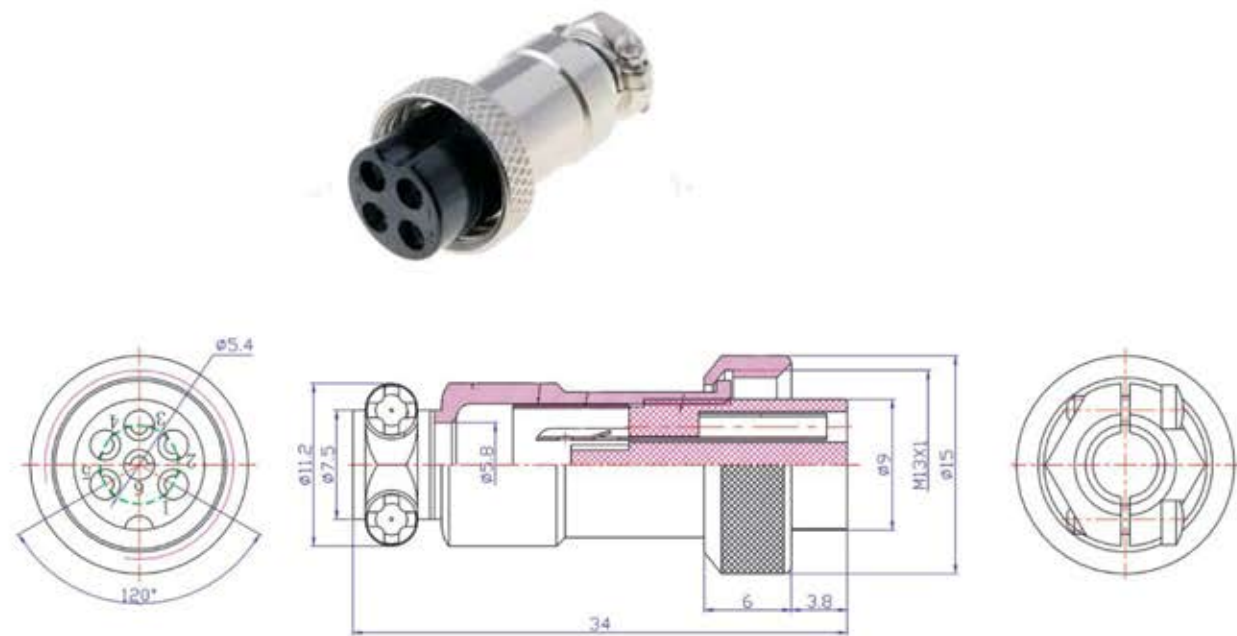


connectors industrial circular Series

RE-C-225-M12 Connectors Industrial Circular Series

Safety approval : UL Water proof IP \geq 55
 Subminiature aviation linkers are widely used for the Hi-Tech trade. The appearances of the products has two kinds, plug-type and thread type. Used in the installation of the panel, small, exquisite and sensitive. It's nickel-plated and easy to plug-in.

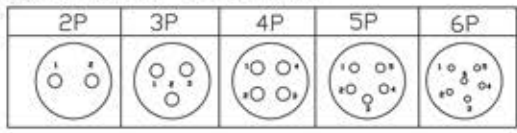
Electrical Characteristics:
 Rated current: 5A
 Rated Voltage: 125V
 Operation Voltage: 200 VAC
 Withstanding Voltage : 1500 VAC
 Insulation resistance : 1500M Ω DC 500V
 Contact resistance: 10 m Ω DC 1A
 Solder cup mouth diameter: 0.9 mm
 Solder diameter: 1.15mm



ORDER INFORMATION

Product No.: RE-C -225-M12-2 F1

Pos. No. _____
 Dental regulations: M12 _____
 Number of Contacts: 2, 3, 4, 5, 6P



UNITS:mm		SHEET SIZE:A4		SCALE: ---	
> 0 ~ 3	> 3 ~ 18	> 18 ~ 50	> 50 ~ 120		
\pm 0.12	\pm 0.15	\pm 0.3	\pm 0.5		



connectors industrial circular Series

RE-C-225-M12 Connectors Industrial Circular Series

Safety approval : UL Water proof IP \geq 55
 Subminiature aviation linkers are widely used for the Hi-Tech trade. The appearances of the products has two kinds, plug-type and thread type. Used in the installation of the panel, small, exquisite and sensitive. It's nickel-plated and easy to plug-in.

Electrical Characteristics:
 Rated current: 5A
 Rated Voltage: 125V
 Operation Voltage: 200 VAC
 Withstanding Voltage : 1500 VAC
 Insulation resistance : 1500M Ω DC 500V
 Contact resistance: 10 m Ω DC 1A
 Solder cup mouth diameter: 0.9 mm
 Solder diameter: 1.15mm

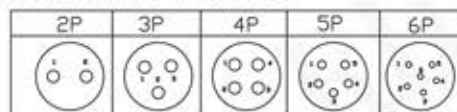
ORDER INFORMATION

Product No.: RE-C -225-M12-2 F2

Pos. No. _____

Dental regulations: M12 _____

Number of Contacts: 2, 3, 4, 5, 6P



TYPE Ordering



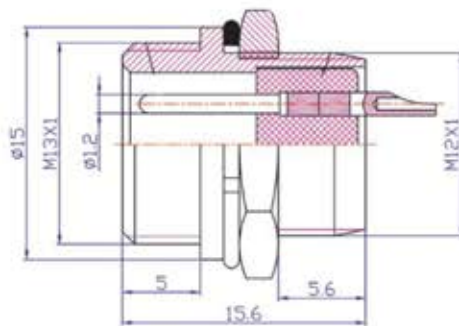
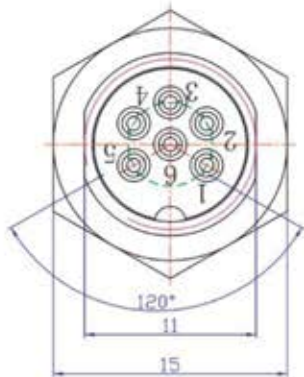


connectors industrial circular Series

RE-C-225-M12 Connectors Industrial Circular Series

Safety approval : UL Water proof IP \geq 55
 Subminiature aviation linkers are widely used for the Hi-Tech trade. The appearances of the products has two kinds, plug-type and thread type. Used in the installation of the panel, small, exquisite and sensitive. It's nickel-plated and easy to plug-in.

Electrical Characteristics:
 Rated current: 5A
 Rated Voltage: 125V
 Operation Voltage: 200 VAC
 Withstanding Voltage :1500 VAC
 Insulation resistance :1500M Ω DC 500V
 Contact resistance: 10 m Ω DC1A
 Solder cup mouth diameter: 0.9 mm
 Solder diameter: 1.15mm



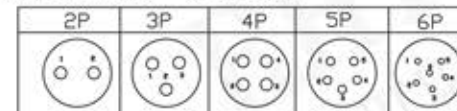
ORDER INFORMATION

Product No.: RE-C -225-M12-2 M1

Pos. No. _____

Dental regulations: M12

Number of Contacts: 2, 3, 4, 5, 6P



TYPE Ordering



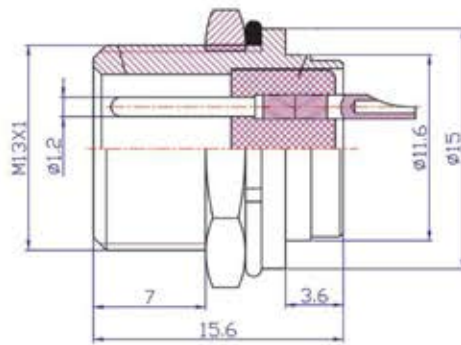
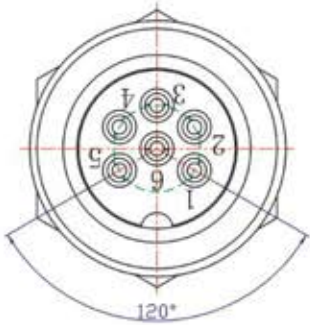


connectors industrial circular Series

RE-C-225-M12 Connectors Industrial Circular Series

Safety approval: UL Water proof IP \geq 55
 Subminiature aviation linkers are widely used for the Hi-Tech trade. The appearances of the products has two kinds, plug-type and thread type. Used in the installation of the panel, small, exquisite and sensitive. It's nickel-plated and easy to plug-in.

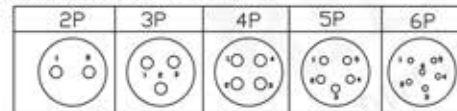
Electrical Characteristics:
 Rated current: 5A
 Rated Voltage: 125V
 Operation Voltage: 200 VAC
 Withstanding Voltage: 1500 VAC
 Insulation resistance: 1500M Ω DC 500V
 Contact resistance: 10 m Ω DC 1A
 Solder cup mouth diameter: 0.9 mm
 Solder diameter: 1.15mm



ORDER INFORMATION

Product No.: RE-C -225-M12-2 M2

Pos. No. _____
 Dental regulations: M12 _____
 Number of Contacts: 2 3 4 5 6P _____



TYPE Ordering

