

Material:

Housing: PBT+30% Glass filled, UL94V-0

Contacts: Brass,

Gold Plating on Contact Area,

Tin on Solder Tail.

Shell: Steel,

Front Shell Nickel Plating,

Back Shell Tin Plating

Electrical Characteristics:

Current Rating: 5 AMP

Insulator Resistance: 1000MΩ Min. at DC 500V

Withstanding Voltage: 500V AC (rms) for 1 minute

Contact Resistance: 20mΩ Max. Initial

Operating Temperature: -55°C ~ +105°C

Order Information

RE - C - 213 - 09 - F - L

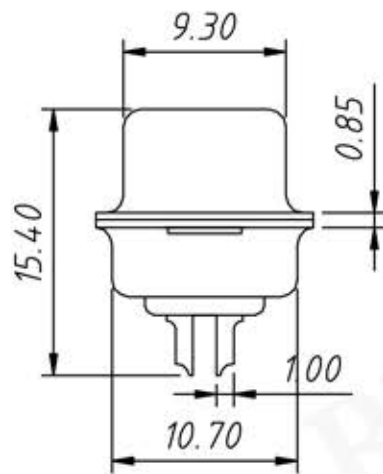
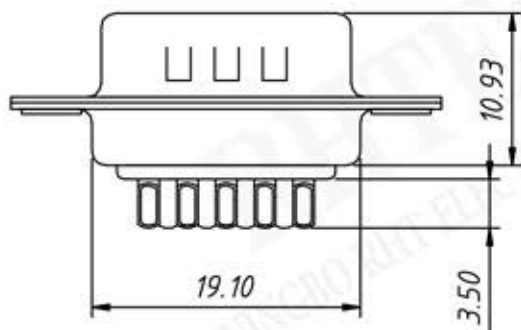
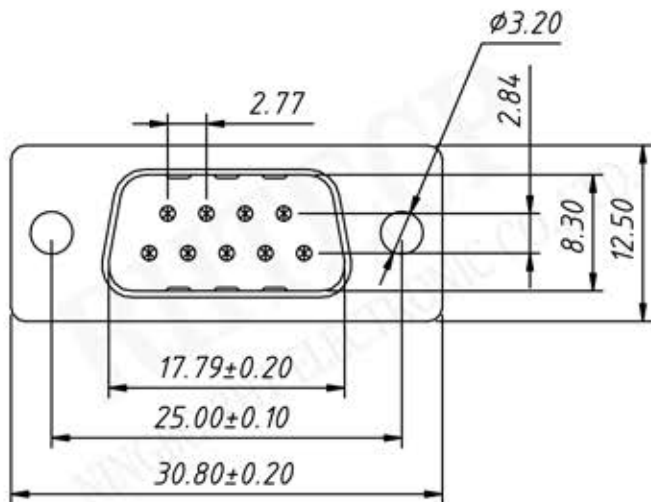
D-SUB Connector,
2 Row Solder type, Simple Terminal

Number of Contacts

Connector type: F-Female

Housing Color:

B-Black L-Blue W-White



Material:

Housing: PBT+30% Glass filled ,UL94V-0

Contacts: Brass ,

Gold Plating on Contact Area,

Tin on Solder Tail.

Shell: Steel,

Front Shell Nickel Plating,

Back Shell Tin Plating

Electrical Characteristics:

Current Rating: 5 AMP

Insulator Resistance: 1000MΩ Min. at DC 500V

Withstanding Voltage: 500V AC (rms) for 1 minute

Contact Resistance: 20mΩ Max. Initial

Operating Temperature: -55°C ~ +105°C

Order Information

RE - C - 213 - 09 - M - L

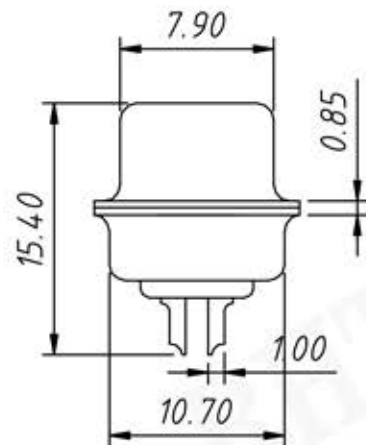
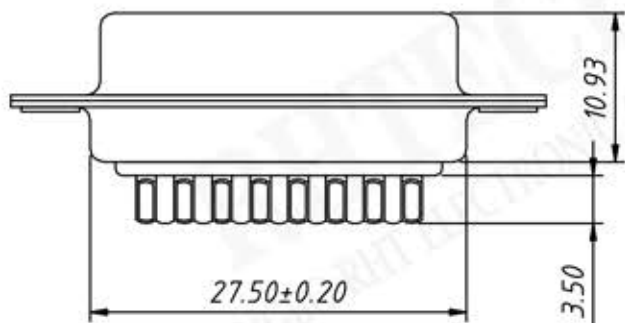
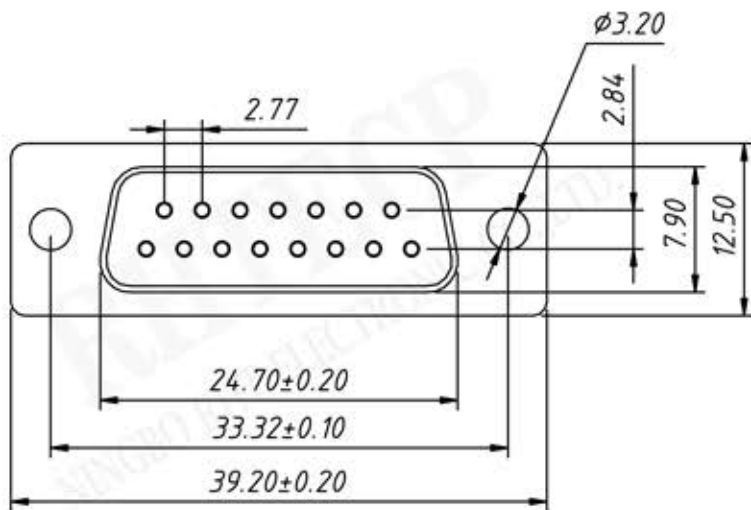
D-SUB Connector, 2 Row Solder type, Simple Terminal

Number of Contacts

Connector type: M-Male

Housing Color:

B-Black L-Blue W-White



Material:

Housing: PBT+30% Glass filled ,UL94V-0

Contacts: Brass ,

Gold Plating on Contact Arer,

Tin on Solder Tail.

Shell: Steel,

Front Shell Nickel Plating,

Back Shell Tin Plating

Electrical Characteristics:

Current Rating: 5 AMP

Insulator Resistance: 1000M Ω Min. at DC 500V

Withstanding Voltage: 500V AC (rms) for 1 minute

Contact Resistance: 20m Ω Max. Initial

Operating Temperature: -55 $^{\circ}$ C~+105 $^{\circ}$ C

Order Information

RE - C - 213 - 15 - F - L

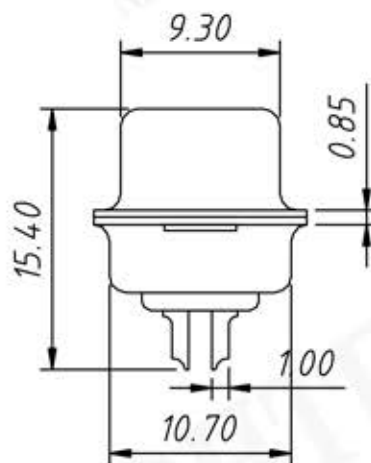
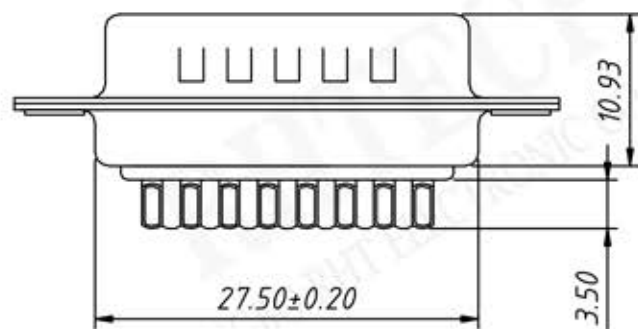
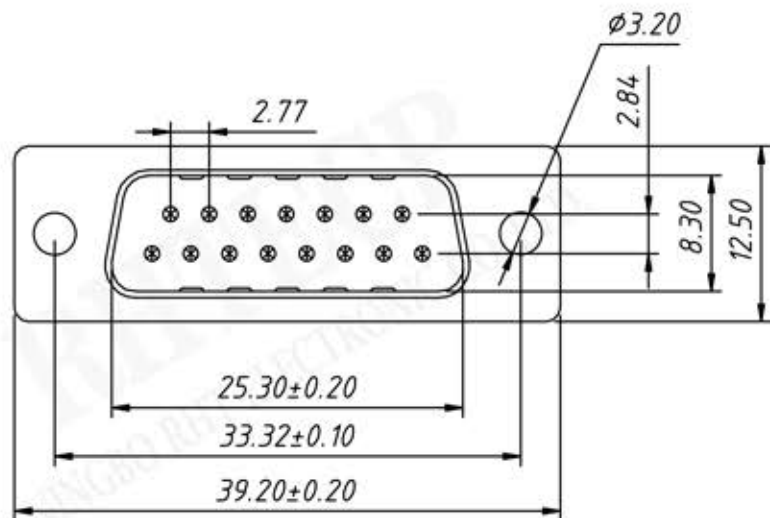
D-SUB Connector,
2 Row Solder type, Simple Terminal

Number of Contacts

Connector type: F-Female

Housing Color:

B-Black L-Blue W-White



Material:

Housing: PBT+30% Glass filled, UL94V-0

Contacts: Brass,

Gold Plating on Contact Area,
Tin on Solder Tail.

Shell: Steel,

Front Shell Nickel Plating,
Back Shell Tin Plating

Electrical Characteristics:

Current Rating: 5 AMP

Insulator Resistance: 1000M Ω Min. at DC 500V

Withstanding Voltage: 500V AC (rms) for 1 minute

Contact Resistance: 20m Ω Max. Initial

Operating Temperature: -55 $^{\circ}$ C ~ +105 $^{\circ}$ C

Order Information

RE - C - 213 - 15 - M - L

D-SUB Connector,

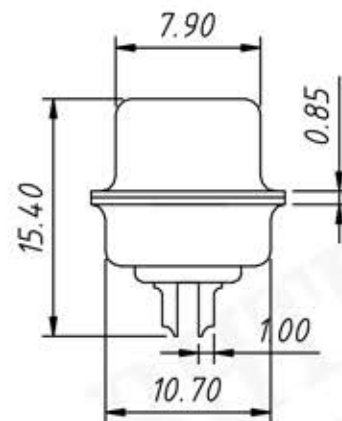
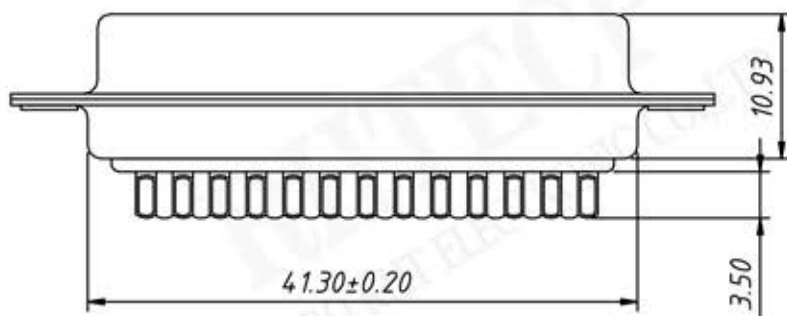
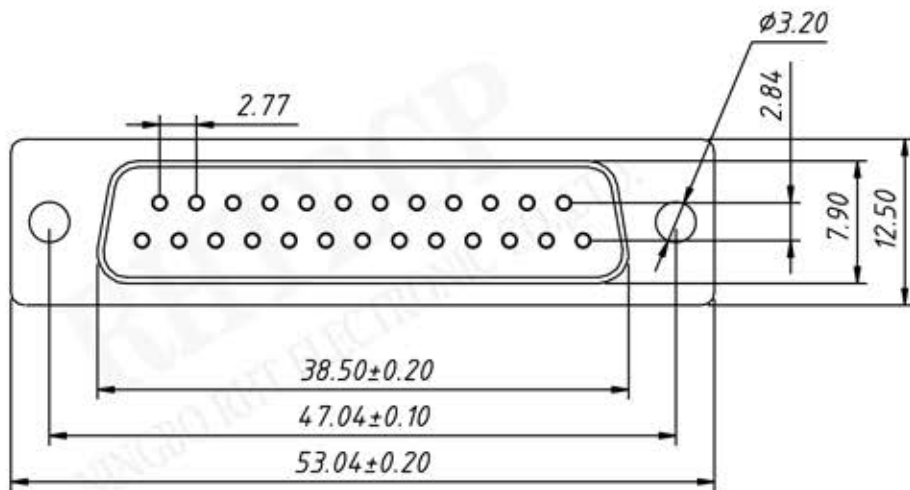
2 Row Solder type, Simple Terminal

Number of Contacts

Connector type: M-Male

Housing Color:

B-Black L-Blue W-White



Material:

Housing: PBT+30% Glass filled ,UL 94V-0

Contacts: Brass ,

Gold Plating on Contact Area,

Tin on Solder Tail.

Shell: Steel,

Front Shell Nickel Plating,

Back Shell Tin Plating

Electrical Characteristics:

Current Rating: 5 AMP

Insulator Resistance: 1000MΩ Min. at DC 500V

Withstanding Voltage: 500V AC (rms) for 1 minute

Contact Resistance: 20mΩ Max. Initial

Operating Temperature: -55°C ~ +105°C

Order Information

RE - C - 213 - 25 - F - L

D-SUB Connector,

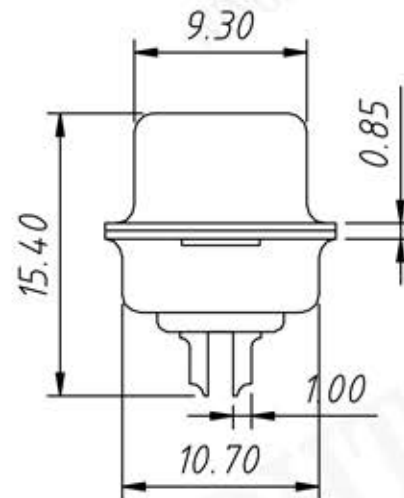
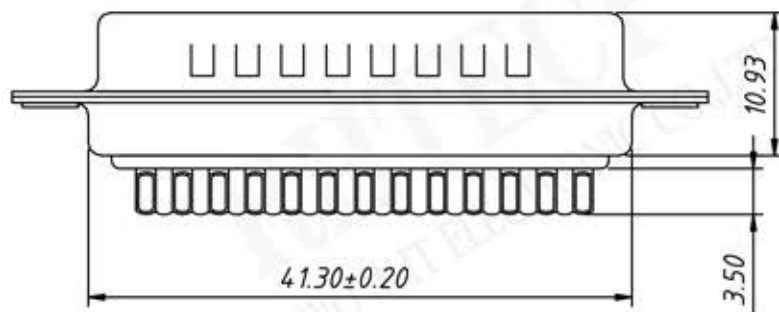
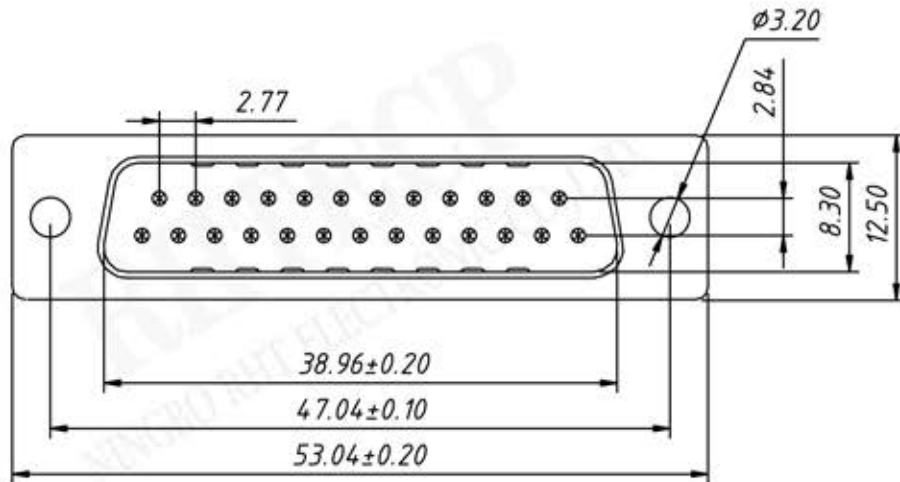
2 Row Solder type, Simple Terminal

Number of Contacts

Connector type: F-Female

Housing Color:

B-Black L-Blue W-White



Material:

Housing: PBT+30% Glass filled ,UL94V-0

Contacts: Brass ,

Gold Plating on Contact Arer,
Tin on Solder Tail.

Shell: Steel,

Front Shell Nickel Plating,
Back Shell Tin Plating

Electrical Characteristics:

Current Rating: 5 AMP

Insulator Resistance: 1000M Ω Min. at DC 500V

Withstanding Voltage: 500V AC (rms) for 1 minute

Contact Resistance: 20m Ω Max. Initial

Operating Temperature: -55 $^{\circ}$ C ~ +105 $^{\circ}$ C

Order Information

RE - C - 213 - 25 - M - L

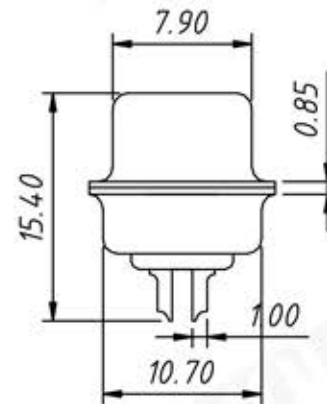
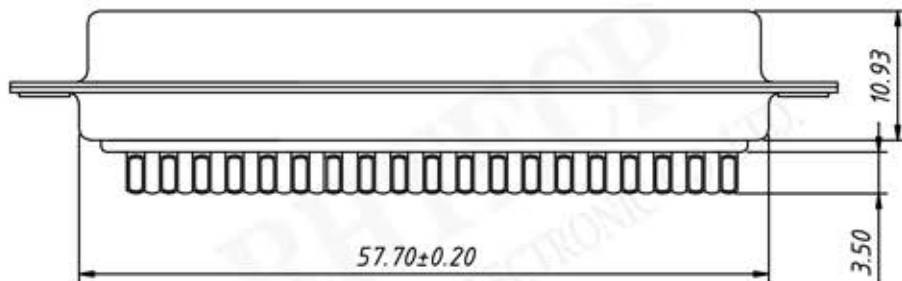
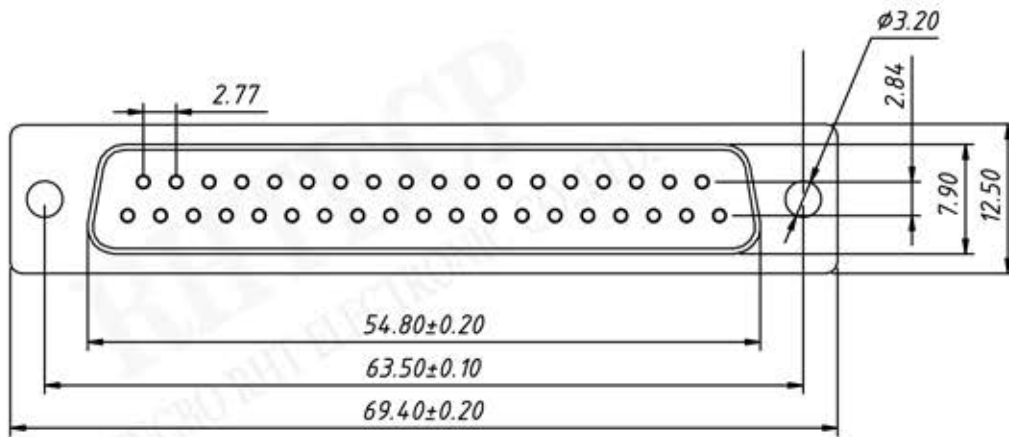
D-SUB Connector,
2 Row Solder type, Simple Terminal

Number of Contacts

Connector type: M-Male

Housing Color:

B-Black L-Blue W-White



Material:

Housing: PBT+30% Glass filled, UL94V-0

Contacts: Brass,

Gold Plating on Contact Area,
Tin on Solder Tail.

Shell: Steel,

Front Shell Nickel Plating,
Back Shell Tin Plating

Electrical Characteristics:

Current Rating: 5 AMP

Insulator Resistance: 1000MΩ Min. at DC 500V

Withstanding Voltage: 500V AC (rms) for 1 minute

Contact Resistance: 20mΩ Max. Initial

Operating Temperature: -55°C ~ +105°C

Order Information

RE - C - 213 - 37 - F - L

D-SUB Connector,

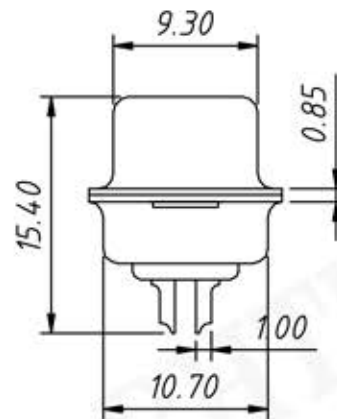
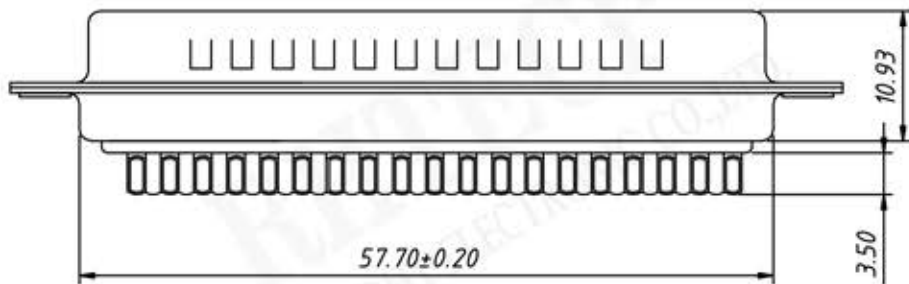
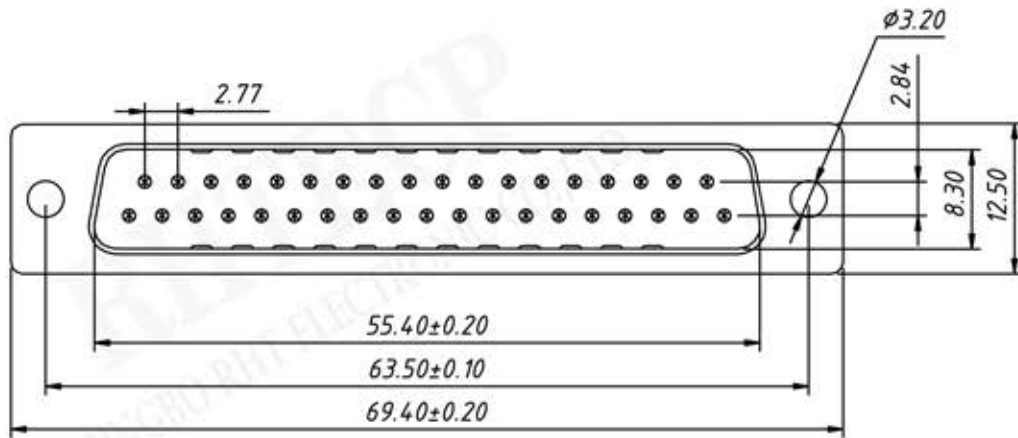
2 Row Solder type, Simple Terminal

Number of Contacts

Connector type: F-Female

Housing Color:

B-Black L-Blue W-White



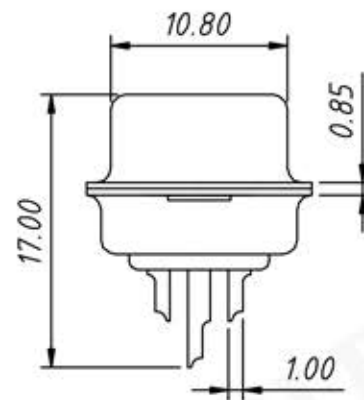
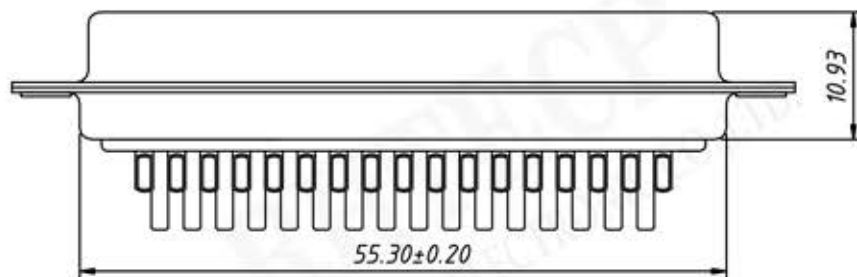
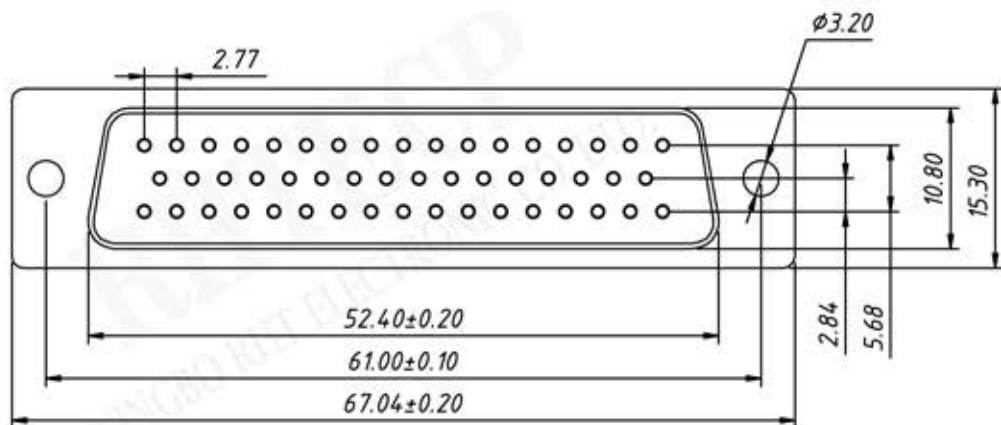
Material:
 Housing: PBT+30% Glass filled ,UL 94V-0
 Contacts: Brass ,
 Gold Plating on Contact Area,
 Tin on Solder Tail.
Shell: Steel,
 Front Shell Nickel Plating,
 Back Shell Tin Plating

Electrical Characteristics:
 Current Rating: 5 AMP
 Insulator Resistance: 1000M Ω Min. at DC 500V
 Withstanding Voltage: 500V AC (rms) for 1 minute
 Contact Resistance: 20m Ω Max. Initial
 Operating Temperature: -55°C ~ +105°C

Order Information

RE - C - 213 - 37 - M - L

D-SUB Connector,
 2 Row Solder type, Simple Terminal
 Number of Contacts
 Connector type: M-Male
 Housing Color:
 B-Black L-Blue W-White



Material:

Housing: PBT+30% Glass filled ,UL94V-0

Contacts: Brass ,

Gold Plating on Contact Area,
Tin on Solder Tail.

Shell: Steel,

Front Shell Nickel Plating,
Back Shell Tin Plating

Electrical Characteristics:

Current Rating: 5 AMP

Insulator Resistance: 1000M Ω Min. at DC 500V

Withstanding Voltage: 500V AC (rms) for 1 minute

Contact Resistance: 20m Ω Max. Initial

Operating Temperature: -55 $^{\circ}$ C ~ +105 $^{\circ}$ C

Order Information

RE - C - 213 - 50 - F - L

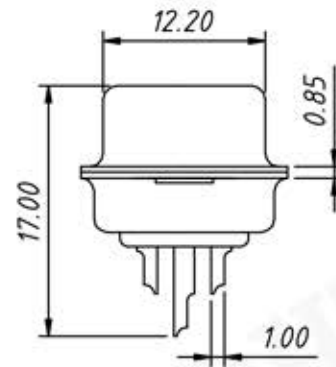
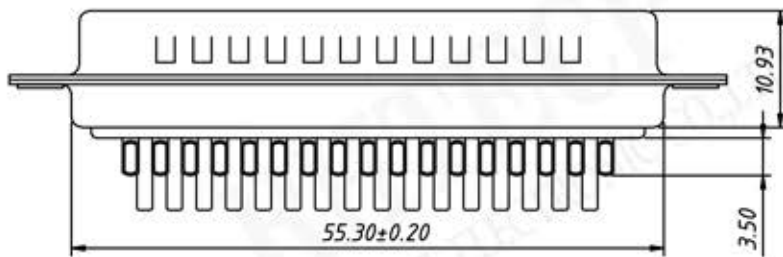
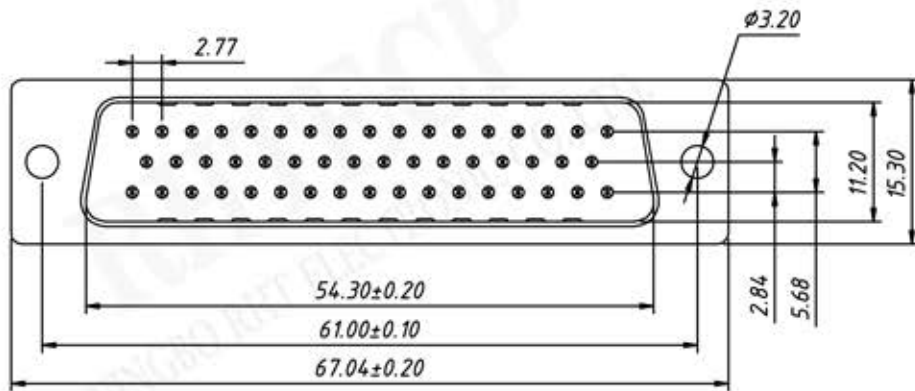
D-SUB Connector, 3 Row Solder type, Simple Terminal

Number of Contacts

Connector type: F-Female

Housing Color:

B-Black L-Blue W-White



Material:

Housing: PBT+30% Glass filled, UL94V-0

Contacts: Brass,

Gold Plating on Contact Area,
Tin on Solder Tail.

Shell: Steel,

Front Shell Nickel Plating,
Back Shell Tin Plating

Electrical Characteristics:

Current Rating: 5 AMP

Insulator Resistance: 1000M Ω Min. at DC 500V

Withstanding Voltage: 500V AC (rms) for 1 minute

Contact Resistance: 20m Ω Max. Initial

Operating Temperature: -55 $^{\circ}$ C ~ +105 $^{\circ}$ C

Order Information

RE - C - 213 - 50 - M - L

D-SUB Connector,
3 Row Solder type, Simple Terminal

Number of Contacts

Connector type: M-Male

Housing Color:

B-Black L-Blue W-White