

Pin	Dimensions(mm)	
	A	B
02	4.20	9.60
03	8.40	13.80
04	12.60	18.00
05	16.80	22.20
06	21.00	26.40

Material:

Housing:PA66,UL94V-0/2

Electrical Characteristics:

Rated Current:7.0A AC,DC

Voltage rating:600V AC,DC

Temperature range:-25°C ~ +85°C

Insulator Resistance:1000MΩ Min

Withstanding Voltage:1500V AC/minute

Contact Resistance:20mΩ Max

Order Information:

RE - C - 4.20 - 1x02 - MH

Pitch:4.20mm

Pins:

1-Single layer

2-Double layer

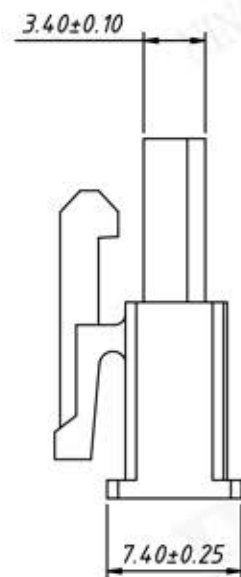
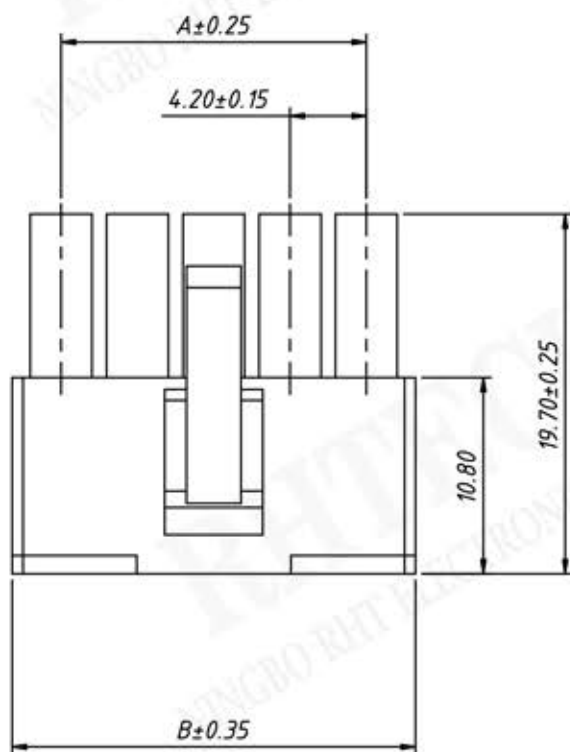
No. of 02 ~ 06 pins

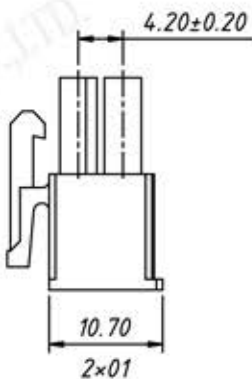
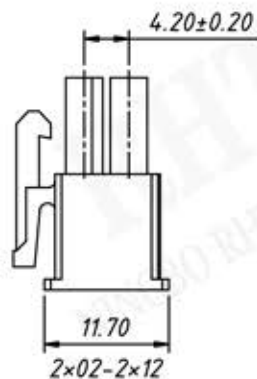
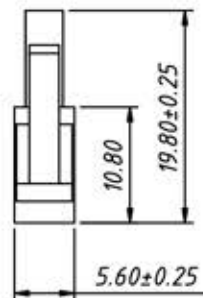
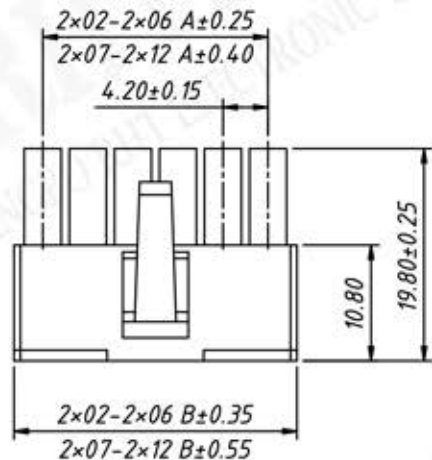
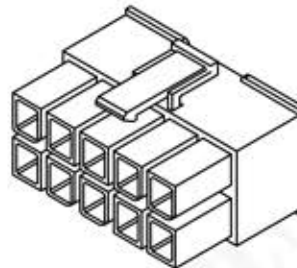
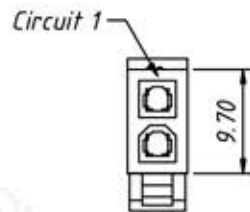
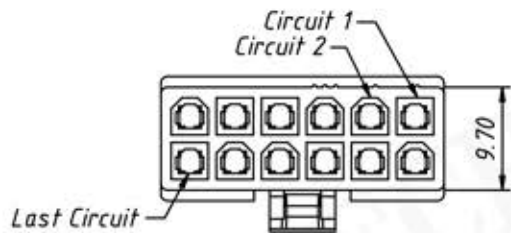
Type:

MH / FH -Hosing

MT / FT -Terminal

W1-Without ear





Pin	Dimensions(mm)	
	A	B
2x01	---	5.60
2x02	4.20	9.80
2x03	8.40	14.00
2x04	12.60	18.20
2x05	16.80	22.40
2x06	21.00	26.60
2x07	25.20	30.80
2x08	29.40	35.00
2x09	33.60	39.20
2x10	37.80	43.40
2x11	42.00	47.60
2x12	46.20	51.80

Material:  
Housing:PA66,UL94V-0/2

Electrical Characteristics:  
Rated Current:7.0A AC,DC  
Voltage rating:600V AC,DC  
Temperature range:-25°C ~ +85°C  
Insulator Resistance:1000M $\Omega$  Min  
Withstanding Voltage:1500V AC/minute  
Contact Resistance:20m $\Omega$  Max

Order Information:

RE - C - 4.20 - 2x02 - MH

Pitch:4.20mm

Pins:---

1-Single layer

2-Double layer

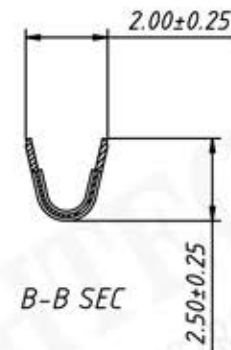
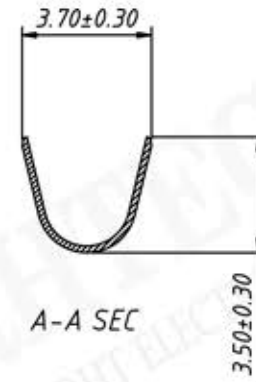
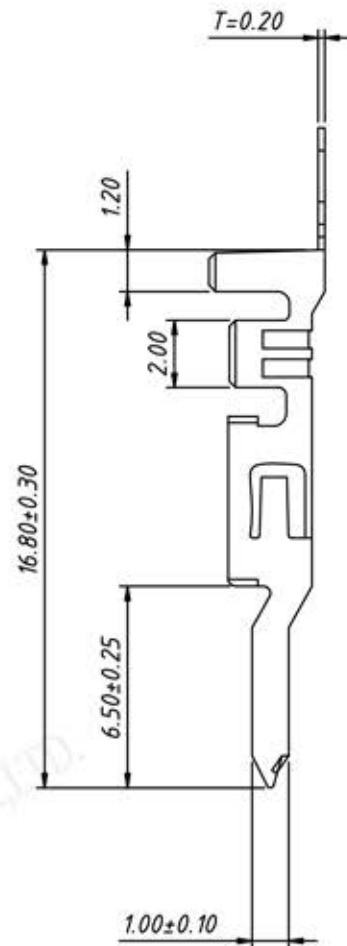
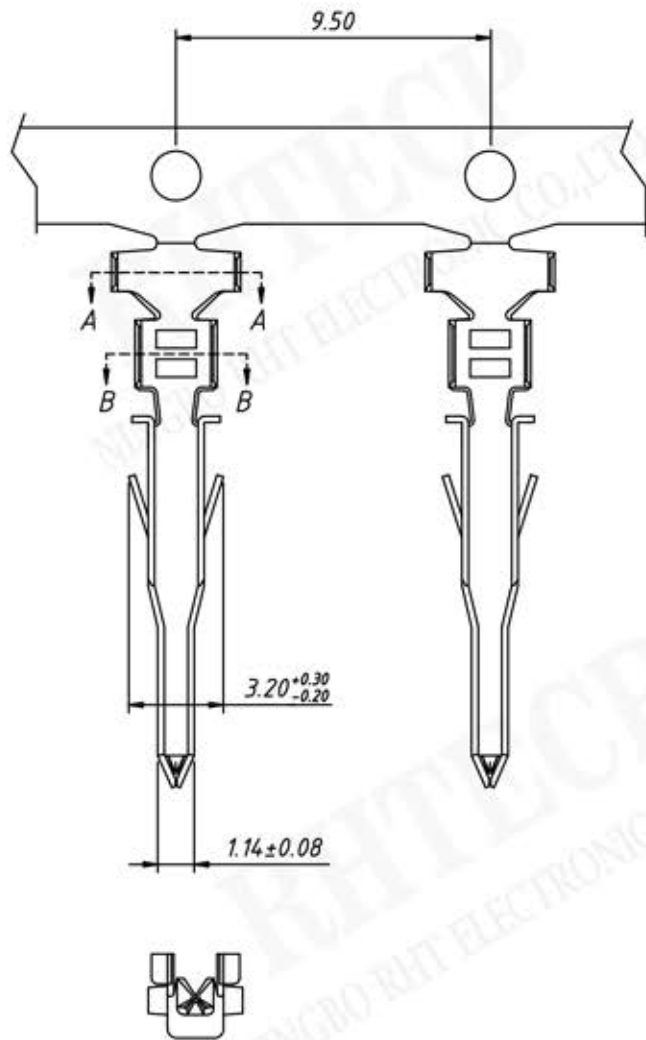
No.of 01 ~ 12 pins

Type:---

MH / FH -Hosing

MT / FT -Terminal

W1-Without ear



Material:  
Terminal: Brass  
Finish: Tin Plated  
Applicable wire: AWG#20-#24

Electrical Characteristics:  
Rated Current: 7.0A AC,DC  
Voltage rating: 600V AC,DC  
Temperature range: -25°C ~ +85°C  
Insulator Resistance: 1000M $\Omega$  Min  
Withstanding Voltage: 1500V AC/minute  
Contact Resistance: 20m $\Omega$  Max

Order Information:

RE-C-4.20-MT

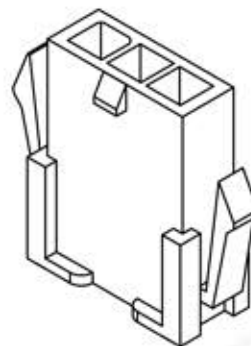
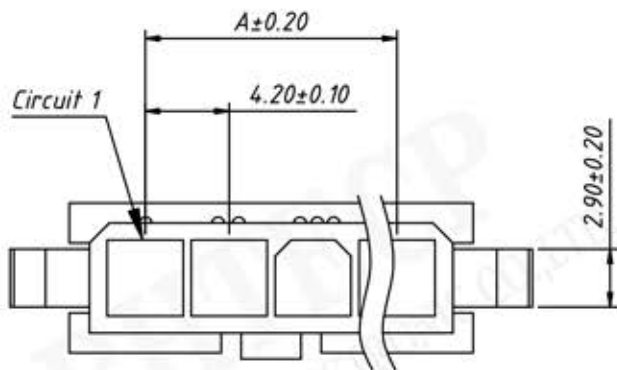
Pitch: 4.20mm

Type:

MH / FH - Hosing

MT / FT - Terminal

W1 - Without ear



Pin	Dimensions(mm)	
	A	B
02	4.20	9.80
03	8.40	14.00
04	12.60	18.20
05	16.80	22.40
06	21.00	26.60

Material:  
Housing:PA66,UL94V-0/2

Electrical Characteristics:  
Rated Current:7.0A AC,DC  
Voltage rating:600V AC,DC  
Temperature range:-25°C ~ +85°C  
Insulator Resistance:1000M $\Omega$  Min  
Withstanding Voltage:1500V AC/minute  
Contact Resistance:20m $\Omega$  Max

Order Information:

RE - C - 4.20 - 1x02 - FH

Pitch:4.20mm

Pins:

1-Single layer

2-Double layer

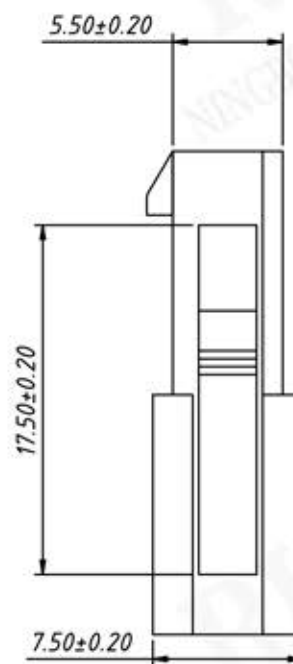
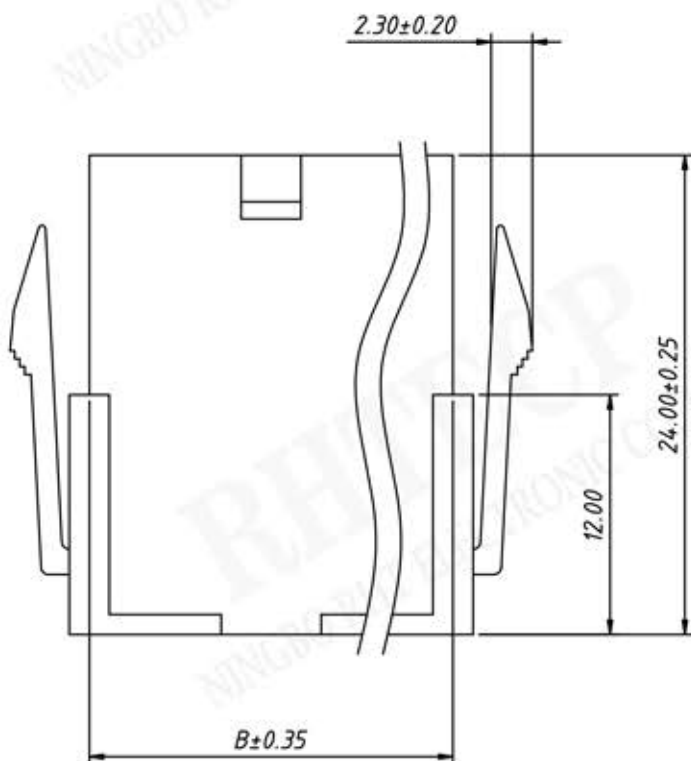
No.of 02~06 pins

Type:

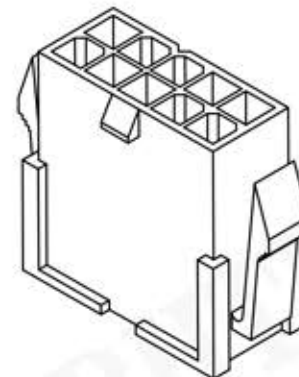
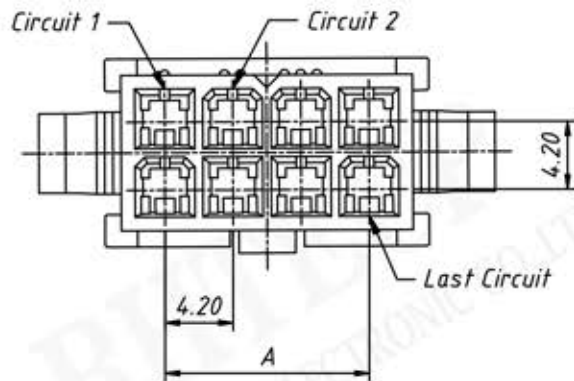
MH / FH -Hosing

MT / FT-Terminal

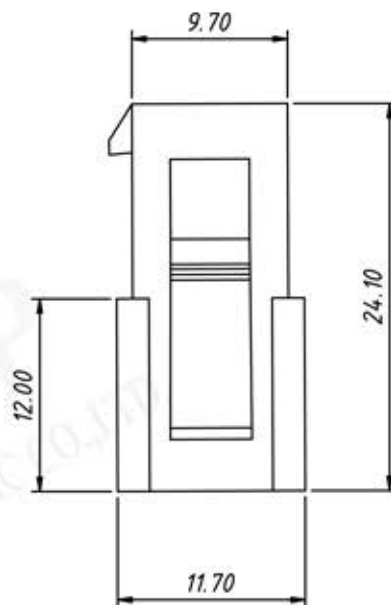
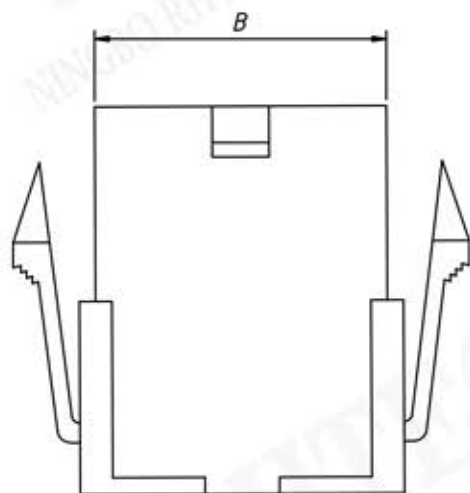
W1-Without ear







Pin	Dimensions(mm)	
	A	B
2x01	---	5.60
2x02	4.20	9.80
2x03	8.40	14.00
2x04	12.60	18.20
2x05	16.80	22.40
2x06	21.00	26.60
2x07	25.20	30.80
2x08	29.40	35.00
2x09	33.60	39.20
2x10	37.80	43.40
2x11	42.00	47.60
2x12	46.20	51.80

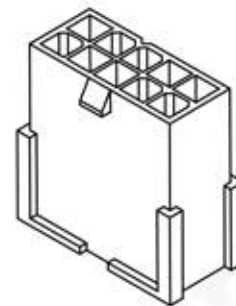
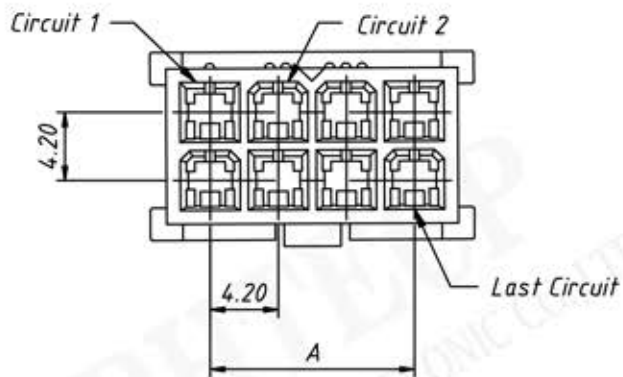


**Material:**  
Housing:PA66,UL 94V-0/2

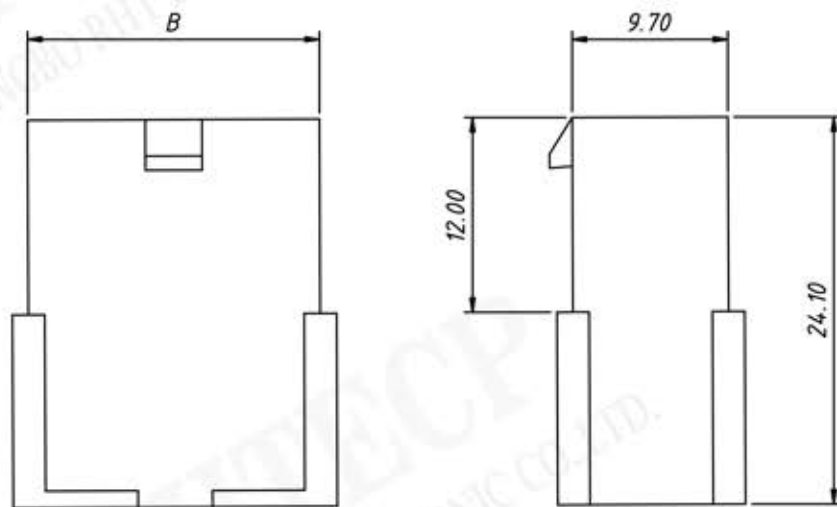
**Electrical Characteristics:**  
Rated Current:7.0A AC,DC  
Voltage rating:600V AC,DC  
Temperature range:-25°C ~ +85°C  
Insulator Resistance:1000M $\Omega$  Min  
Withstanding Voltage:1500V AC/minute  
Contact Resistance:20m $\Omega$  Max

**Order Information:**  
RE - C - 4.20 - 2x02 - FH

Pitch:4.20mm  
Pins:   
1-Single layer  
2-Double layer  
No. of 01 12 pins  
Type:   
MH / FH -Hosing  
MT / FT-Terminal  
W1-Without ear



Pin	Dimensions(mm)	
	A	B
2×01	---	5.60
2×02	4.20	9.80
2×03	8.40	14.00
2×04	12.60	18.20
2×05	16.80	22.40
2×06	21.00	26.60
2×07	25.20	30.80
2×08	29.40	35.00
2×09	33.60	39.20
2×10	37.80	43.40
2×11	42.00	47.60
2×12	46.20	51.80



**Material:**  
Housing:PA66,UL 94V-0/2

**Electrical Characteristics:**  
Rated Current:7.0A AC,DC  
Voltage rating:600V AC,DC  
Temperature range:-25°C ~ +85°C  
Insulator Resistance:1000M $\Omega$  Min  
Withstanding Voltage:1500V AC/minute  
Contact Resistance:20m $\Omega$  Max

**Order Information:**

RE - C - 4.20 - 2×02 - W1

Pitch:4.20mm

Pins:\_\_\_\_\_

1-Single layer

2-Double layer

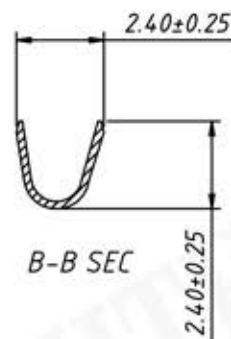
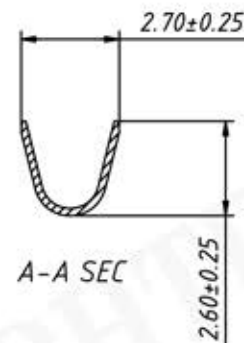
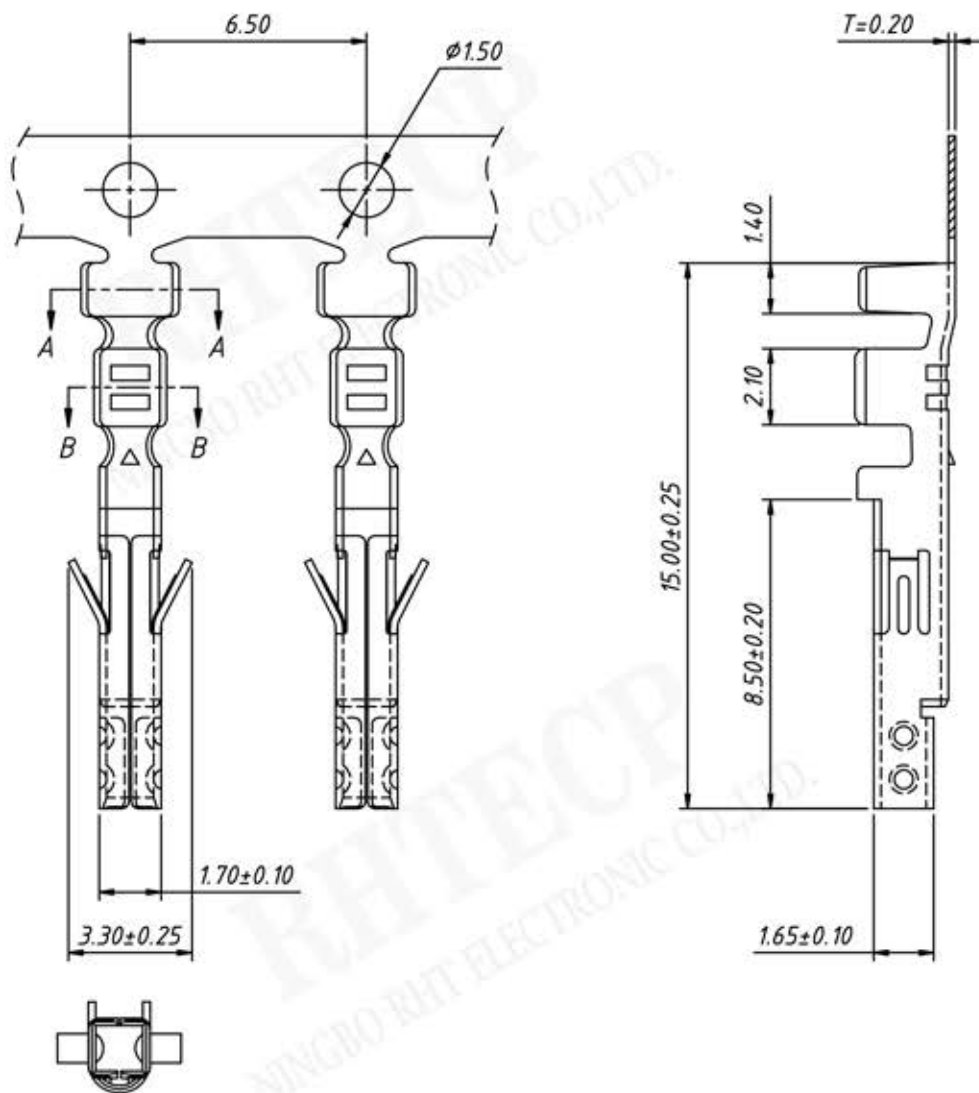
No. of 01 ~ 12 pins \_\_\_\_\_

Type:\_\_\_\_\_

MH / FH -Hosing

MT / FT-Terminal

W1 Without ear



**Material:**  
Terminal: Brass or Phosphor Beccorded  
Finish: Tin Plated  
Applicable wire: AWG#20-#24

**Electrical Characteristics:**  
Rated Current: 7.0A AC,DC  
Voltage rating: 600V AC,DC  
Temperature range:  $-25^{\circ}\text{C} \sim +85^{\circ}\text{C}$   
Insulator Resistance: 1000M $\Omega$  Min  
Withstanding Voltage: 1500V AC/minute  
Contact Resistance: 20m $\Omega$  Max

**Order Information:**

RE - C - 4.20 - FT

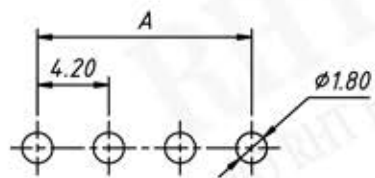
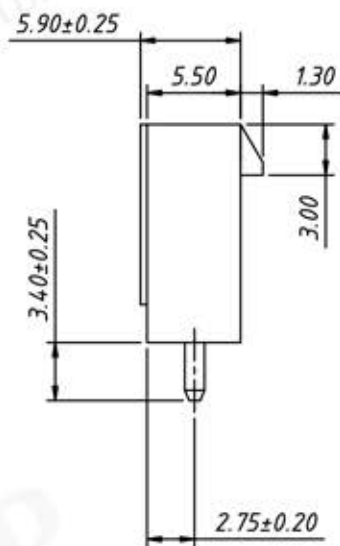
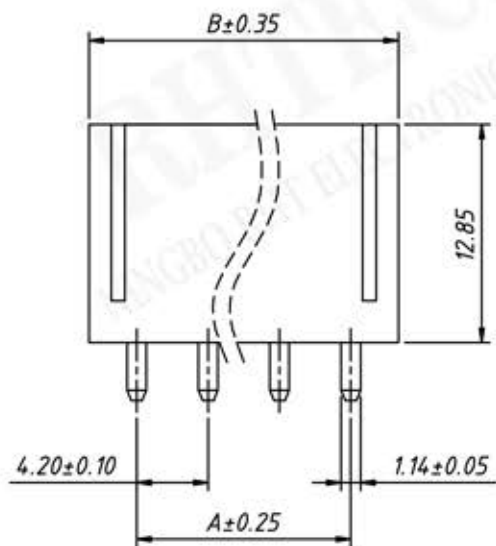
Pitch: 4.20mm

Type:

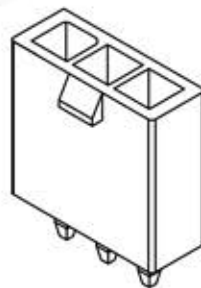
MH / FH - Hosing

MT / FT - Terminal

W1 - Without ear



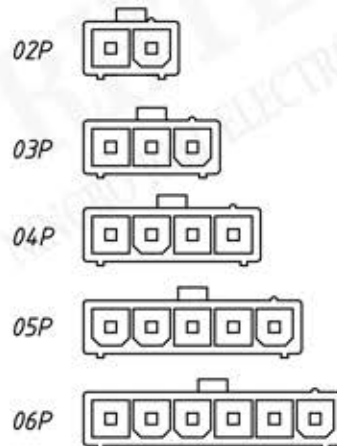
Recommended P.C.B Layout



Pin	Dimensions(mm)	
	A	B
02	4.20	9.60
03	8.40	13.80
04	12.60	18.00
05	16.80	22.20
06	21.00	26.40

**Material:**  
Housing: PA66, UL 94V-0/2  
Contacts: Brass  
Finish: Tin-plated or Gold-flash

**Electrical Characteristics:**  
Rated Current: 7.0A AC, DC  
Voltage rating: 600V AC, DC  
Temperature range: -25°C ~ +85°C  
Insulator Resistance: 1000M $\Omega$  Min  
Withstanding Voltage: 1500V AC/minute  
Contact Resistance: 20m $\Omega$  Max



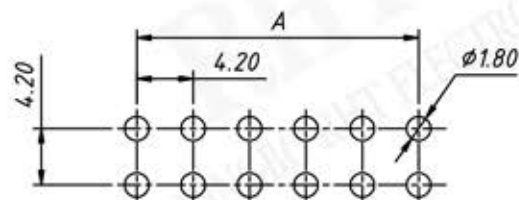
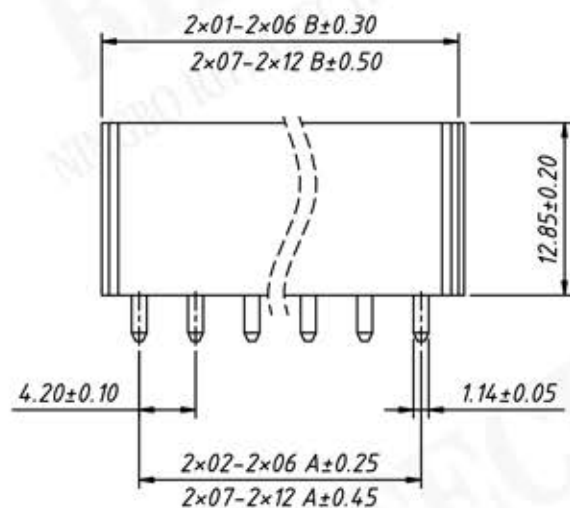
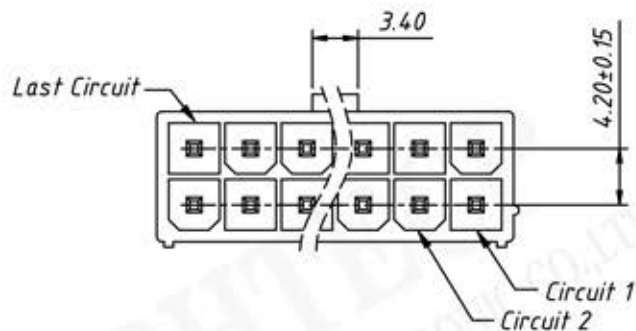
Circuit Size Layout

**Order Information:**

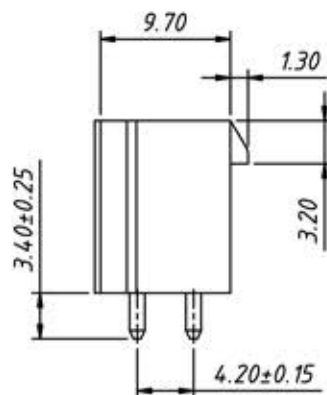
RE - C - 4.20 - 1x02 - S

Pitch: 4.20mm  
Pins: \_\_\_\_\_  
1-Single layer  
2-Double layer  
No. of 02 ~ 06 pins \_\_\_\_\_  
Type: \_\_\_\_\_  
S / SW / SB - Straight male pin  
R / RW / RB - Right angle male pin





Recommended P.C.B Layout



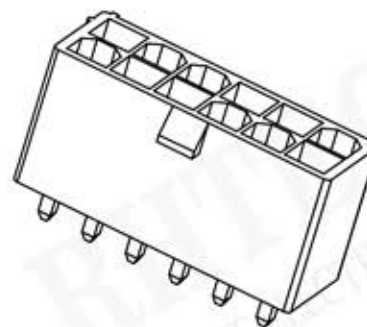
Pin	Dimensions(mm)	
	A	B
2×01	---	5.60
2×02	4.20	9.80
2×03	8.40	14.00
2×04	12.60	18.20
2×05	16.80	22.40
2×06	21.00	26.60
2×07	25.20	30.80
2×08	29.40	35.00
2×09	33.60	39.20
2×10	37.80	43.40
2×11	42.00	47.60
2×12	46.20	51.80

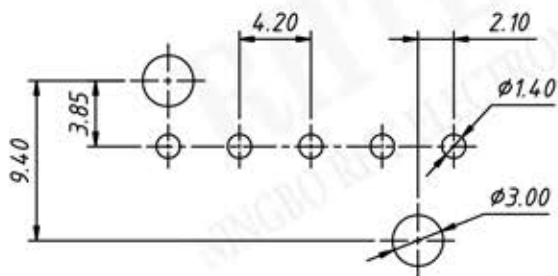
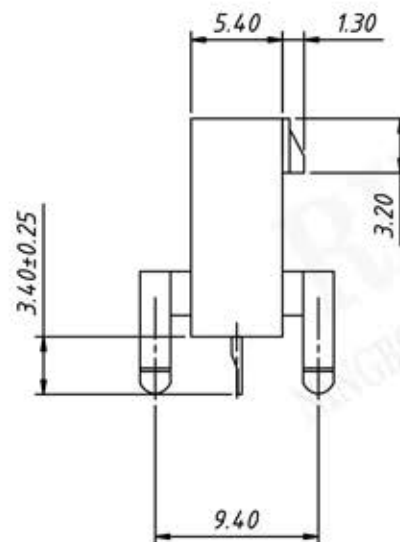
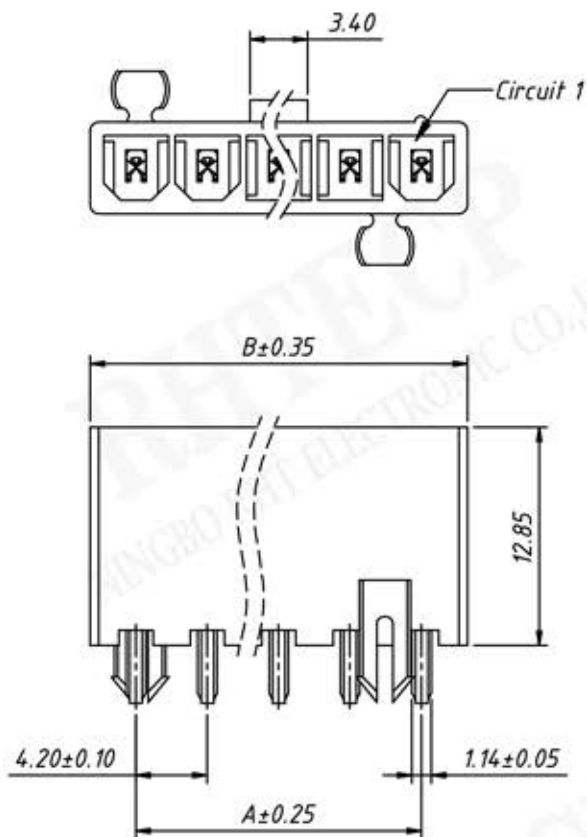
**Material:**  
Housing: PA66, UL 94V-0/2  
Contacts: Brass  
Finish: Tin-plated or Gold-flash

**Electrical Characteristics:**  
Rated Current: 7.0A AC, DC  
Voltage rating: 600V AC, DC  
Temperature range: -25°C ~ +85°C  
Insulator Resistance: 1000MΩ Min  
Withstanding Voltage: 1500V AC/minute  
Contact Resistance: 20mΩ Max

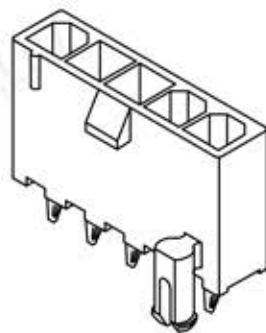
**Order Information:**  
RE - C - 4.20 - 2×02 - S

Pitch: 4.20mm  
Pins:   
1-Single layer  
2-Double layer  
No. of 01 ~ 12 pins  
Type:   
S / SW / SB - Straight male pin  
R / RW / RB - Right angle male pin





Recommended P.C.B Layout



Material:  
Housing:PA66,UL94V-0/2  
Contacts:Brass  
Finish: Tin-plated or Gold-flash

Electrical Characteristics:  
Rated Current:7.0A AC,DC  
Voltage rating:600V AC,DC  
Temperature range:-25°C ~ +85°C  
Insulator Resistance:1000M $\Omega$  Min  
Withstanding Voltage:1500V AC/minute  
Contact Resistance:20m $\Omega$  Max

Pin	Dimensions(mm)	
	A	B
03	8.40	13.80
04	12.60	18.00
05	16.80	22.20
06	21.00	26.40

Order Information:

RE-C-4.20-1x02-SW

Pitch:4.20mm

Pins:

1-Single layer

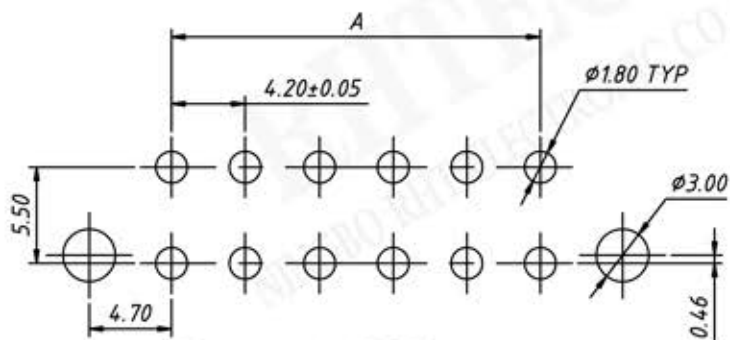
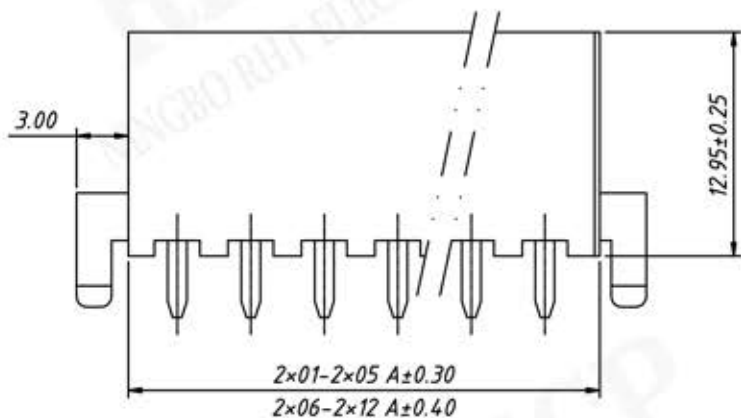
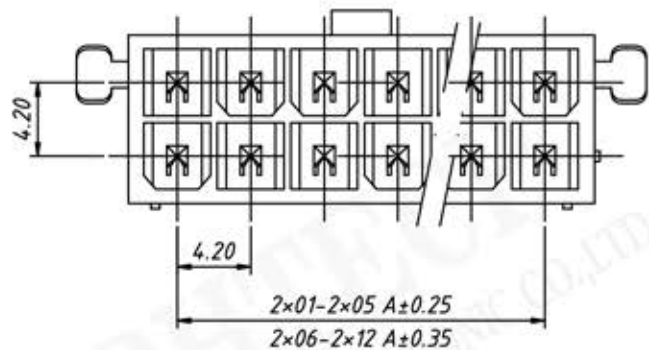
2-Double layer

No.of 02~06 pins

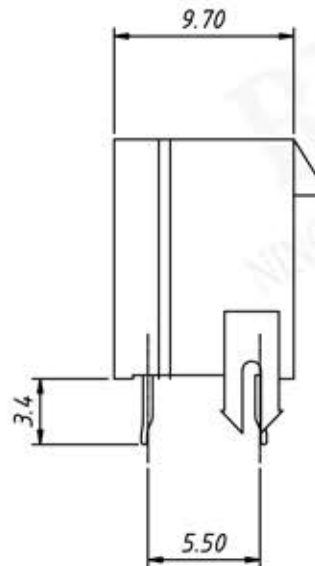
Type:

S / SW / SB-Straight male pin

R / RW / RB-Right angle male pin



Recommended P.C.B Layout



Pin	Dimensions(mm)	
	A	B
2x01	---	5.60
2x02	4.20	9.80
2x03	8.40	14.00
2x04	12.60	18.20
2x05	16.80	22.40
2x06	21.00	26.60
2x07	25.20	30.80
2x08	29.40	35.00
2x09	33.60	39.20
2x10	37.80	43.40
2x11	42.00	47.60
2x12	46.20	51.80

Material:  
Housing:PA66,UL 94V-2  
Contacts:Brass  
Finish:Tin-plated or Nickel

Electrical Characteristics:  
Rated Current:9.0A AC,DC  
Voltage rating:600V AC,DC  
Temperature range:-25°C ~ +85°C  
Insulator Resistance:1000M $\Omega$  Min  
Withstanding Voltage:1500V AC/minute  
Contact Resistance:10m $\Omega$  Max

Order Information:

RE - C - 4.20 - 2x02 - SW

Pitch:4.20mm

Pins:

1-Single layer

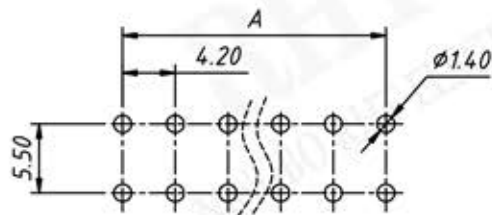
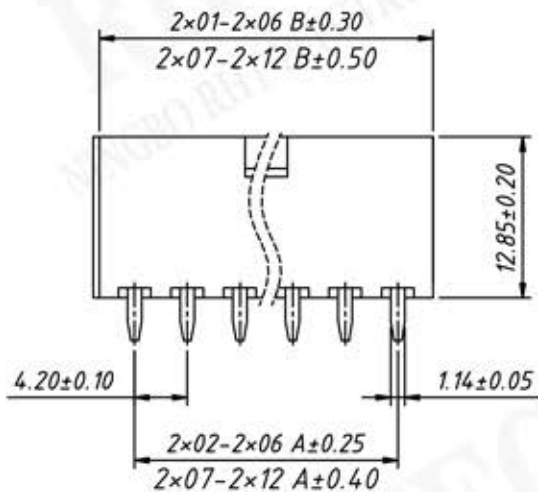
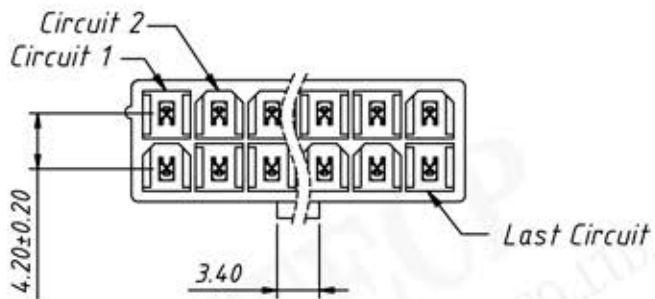
2-Double layer

No. of 01~12 pins

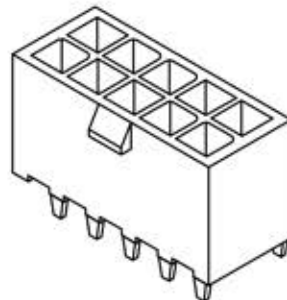
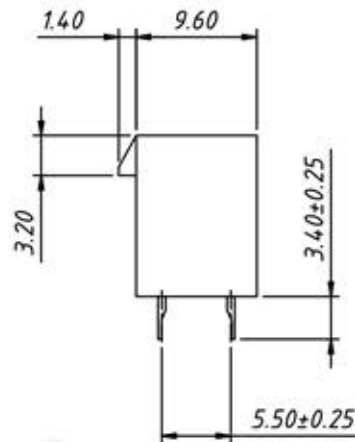
Type:

S / SW / SB-Straight male pin

R / RW / RB-Right angle male pin



Recommended P.C.B Layout



Pin	Dimensions(mm)	
	A	B
2x01	---	5.60
2x02	4.20	9.80
2x03	8.40	14.00
2x04	12.60	18.20
2x05	16.80	22.40
2x06	21.00	26.60
2x07	25.20	30.80
2x08	29.40	35.00
2x09	33.60	39.20
2x10	37.80	43.40
2x11	42.00	47.60
2x12	46.20	51.80

Material:

Housing:PA66,UL94V-0/2

Contacts:Brass

Finish: Tin-plated or Gold-flash

Electrical Characteristics:

Rated Current:7.0A AC,DC

Voltage rating:600V AC,DC

Temperature range:-25°C ~ +85°C

Insulator Resistance:1000MΩ Min

Withstanding Voltage:1500V AC/minute

Contact Resistance:20mΩ Max

Order Information:

RE - C - 4.20 - 2x02 - SB - E32

Pitch:4.20mm

Pins:

1-Single layer

2-Double layer

No.of 01~12 pins

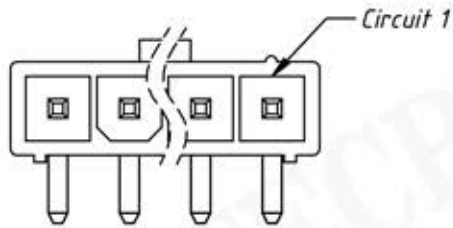
Type:

S / SW / SB-Straight male pin

R / RW / RB-Right angle male pin

Customer Dedicated Packaging

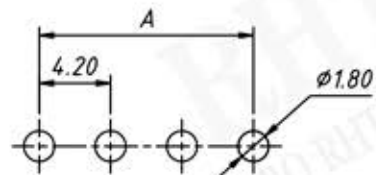
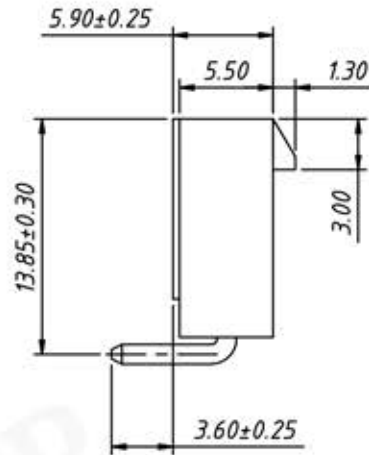
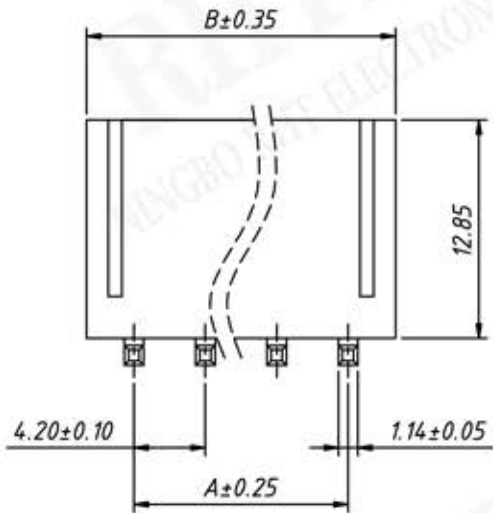




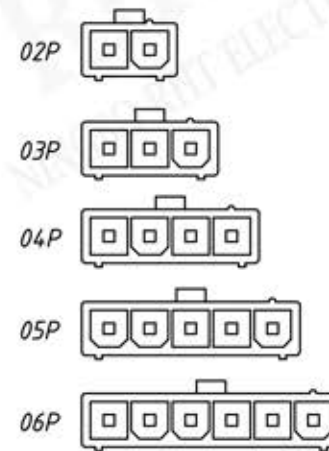
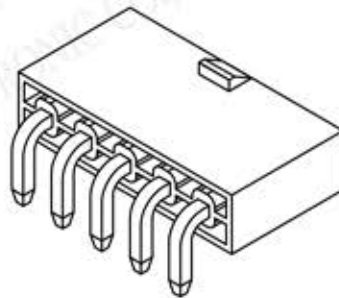
Pin	Dimensions(mm)	
	A	B
02	4.20	9.80
03	8.40	14.00
04	12.60	18.20
05	16.80	22.40
06	21.00	26.60

Material:  
 Housing:PA66,UL 94V-0/2  
 Contacts:Brass  
 Finish:Tin-plated or Gold-flash

Electrical Characteristics:  
 Rated Current:7.0A AC,DC  
 Voltage rating:600V AC,DC  
 Temperature range:-25°C ~ +85°C  
 Insulator Resistance:1000MΩ Min  
 Withstanding Voltage:1500V AC/minute  
 Contact Resistance:20mΩ Max



Recommended P.C.B Layout



Circuit Size Layout

Order Information:

RE - C - 4.20 - 1x02 - R

Pitch:4.20mm

Pins:

1-Single layer

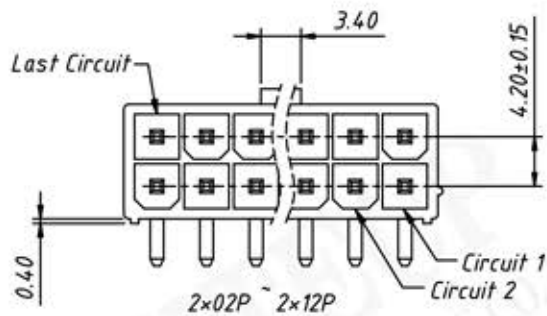
2-Double layer

No.of 02~06 pins

Type:

S / SW / SB-Straight male pin

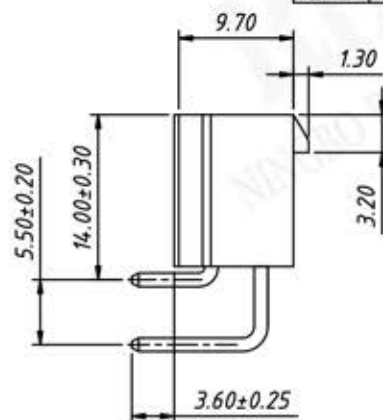
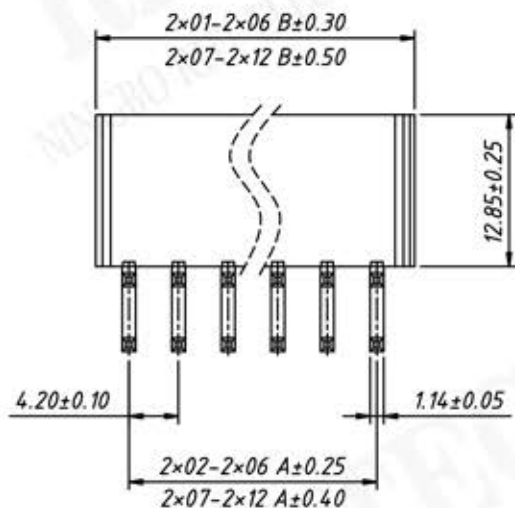
R / RW / RB-Right angle male pin



Pin	Dimensions(mm)	
	A	B
2x01	---	5.60
2x02	4.20	9.80
2x03	8.40	14.00
2x04	12.60	18.20
2x05	16.80	22.40
2x06	21.00	26.60
2x07	25.20	30.80
2x08	29.40	35.00
2x09	33.60	39.20
2x10	37.80	43.40
2x11	42.00	47.60
2x12	46.20	51.80

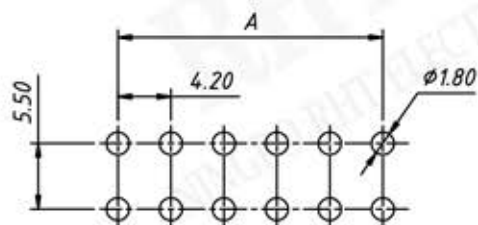
Material:  
Housing:PA66,UL 94V-0/2  
Contacts:Brass  
Finish: Tin-plated or Gold-flash

Electrical Characteristics:  
Rated Current:7.0A AC,DC  
Voltage rating:600V AC,DC  
Temperature range:-25°C ~ +85°C  
Insulator Resistance:1000M $\Omega$  Min  
Withstanding Voltage:1500V AC/minute  
Contact Resistance:20m $\Omega$  Max

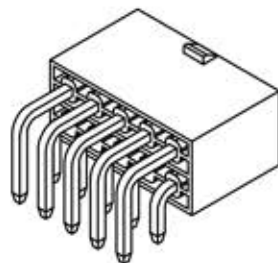


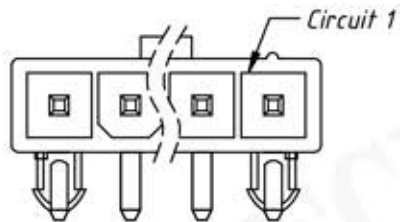
Order Information:  
RE - C - 4.20 - 2x02 - R - E32

Pitch:4.20mm  
Pins:  
1-Single layer  
2-Double layer  
No.of 01 ~ 12 pins  
Type:  
S / SW / SB-Straight male pin  
R / RW / RB-Right angle male pin  
Customer Dedicated Packaging

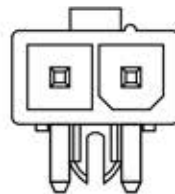


Recommended P.C.B Layout

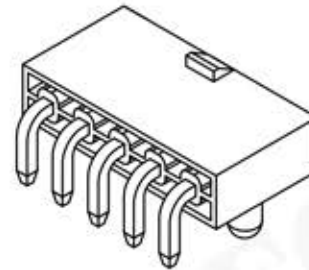




03~06P

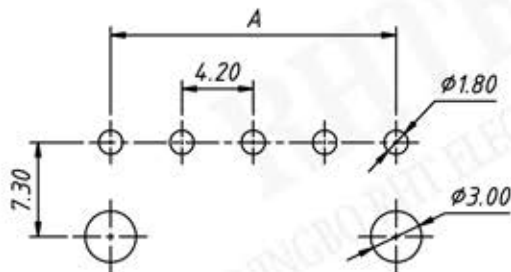
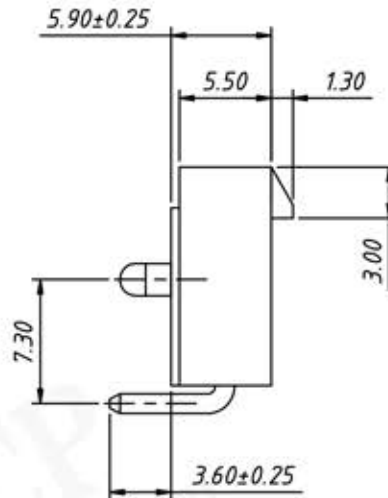
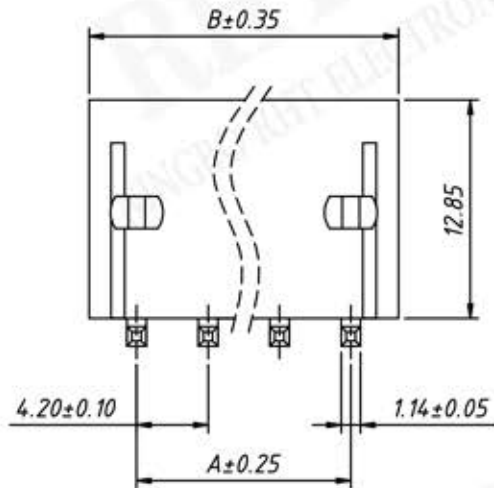


02P

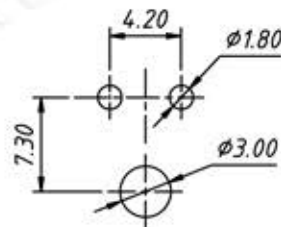


Material:  
Housing:PA66,UL94V-0/2  
Contacts:Brass  
Finish: Tin-plated or Gold-flash

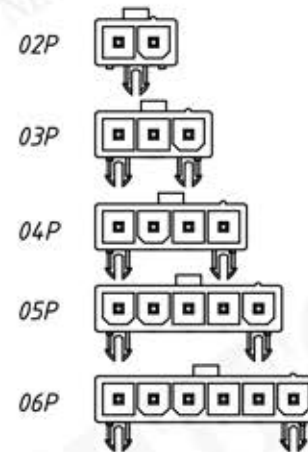
Electrical Characteristics:  
Rated Current:7.0A AC,DC  
Voltage rating:600V AC,DC  
Temperature range:-25°C~+85°C  
Insulator Resistance:1000M $\Omega$  Min  
Withstanding Voltage:1500V AC/minute  
Contact Resistance:20m $\Omega$  Max



03-06P  
P.C.B Layout



02P  
P.C.B Layout



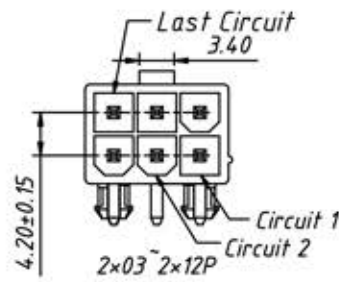
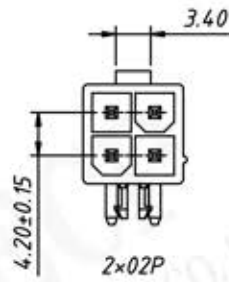
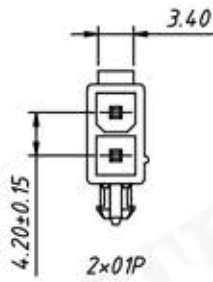
Circuit Size Layout

Pin	Dimensions(mm)	
	A	B
02	4.20	9.80
03	8.40	14.00
04	12.60	18.20
05	16.80	22.40
06	21.00	26.60

Order Information:  
RE-C-4.20-1x02-RW

Pitch:4.20mm  
Pins:  
1-Single layer  
2-Double layer  
No.of 02~06 pins  
Type:  
S / SW / SB-Straight male pin  
R / RW / RB-Right angle male pin

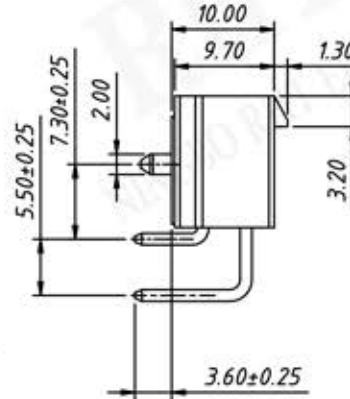
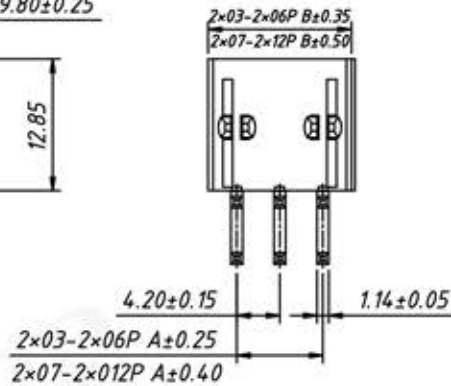
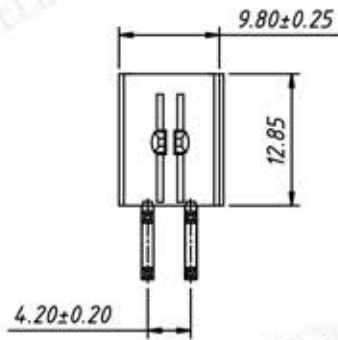
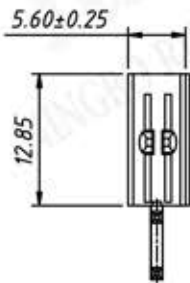




Pin	Dimensions(mm)	
	A	B
2x01	---	5.60
2x02	4.20	9.80
2x03	8.40	14.00
2x04	12.60	18.20
2x05	16.80	22.40
2x06	21.00	26.60
2x07	25.20	30.80
2x08	29.40	35.00
2x09	33.60	39.20
2x10	37.80	43.40
2x11	42.00	47.60
2x12	46.20	51.80

Material:  
Housing:PA66,UL94V-2  
Contacts:Brass  
Finish:Tin-plated or Nickel

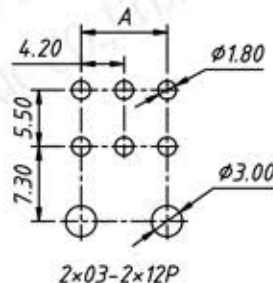
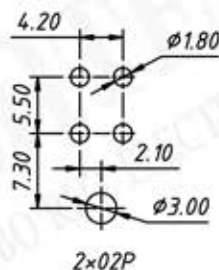
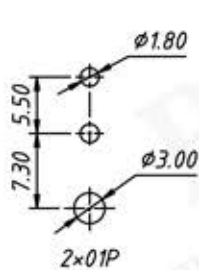
Electrical Characteristics:  
Rated Current:7.0A AC,DC  
Voltage rating:600V AC,DC  
Temperature range:-25°C ~ +85°C  
Insulator Resistance:1000M $\Omega$  Min  
Withstanding Voltage:1500V AC/minute  
Contact Resistance:20m $\Omega$  Max



Order Information:

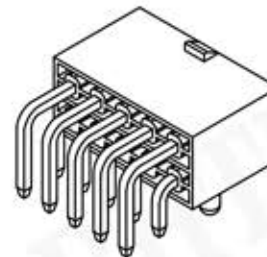
RE - C -4.20-2x02-RW

Pitch:4.20mm  
Pins:  
1-Single layer  
2-Double layer  
No.of 01~12 pins  
Type:  
S / SW / SB-Straight male pin  
R / RW / RB-Right angle male pin

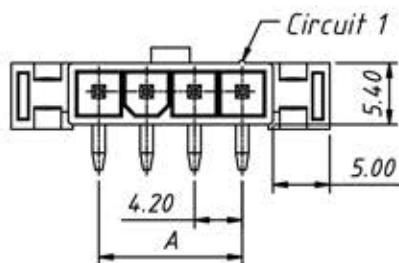
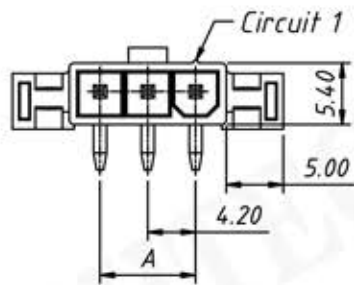


PCB Layout:Component Side

Recommended PCB Thickness 1.78MAX

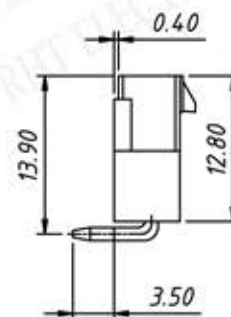
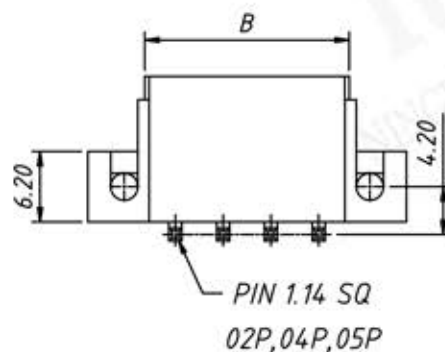
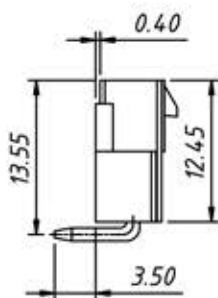
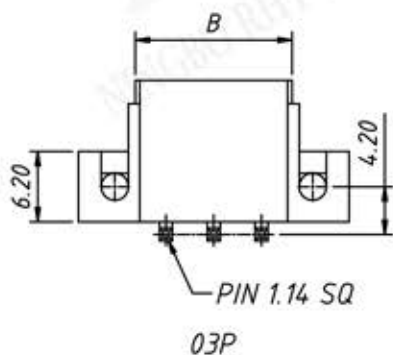




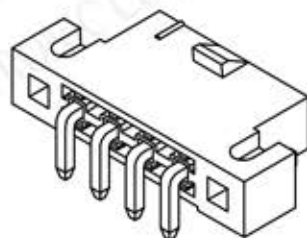
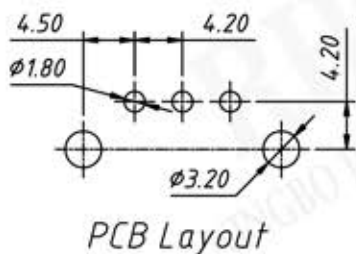


Material:  
Housing: PA66, UL94V-0/2  
Contacts: Brass  
Finish: Tin-plated or Gold-flash

Electrical Characteristics:  
Rated Current: 7.0A AC, DC  
Voltage rating: 600V AC, DC  
Temperature range: -25°C ~ +85°C  
Insulator Resistance: 1000M $\Omega$  Min  
Withstanding Voltage: 1500V AC/minute  
Contact Resistance: 20m $\Omega$  Max

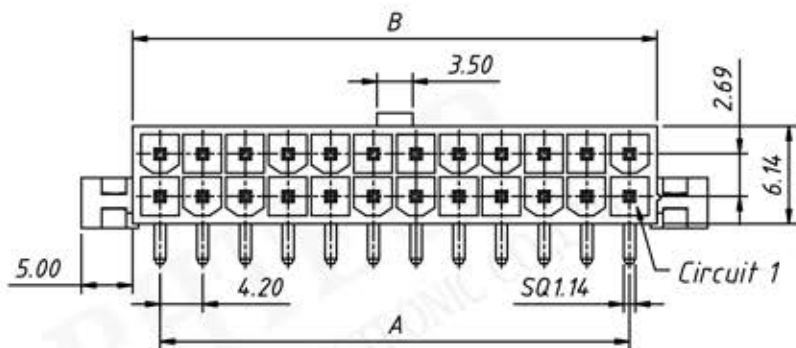


Pin	Dimensions (mm)	
	A	B
02	4.20	9.60
03	8.40	13.80
04	12.60	18.00
05	16.80	22.20
06	21.00	26.40



Order Information:  
RE - C - 4.20 - 1x02 - RB

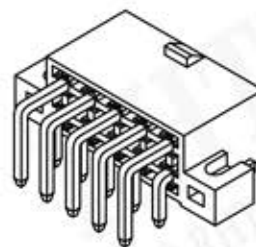
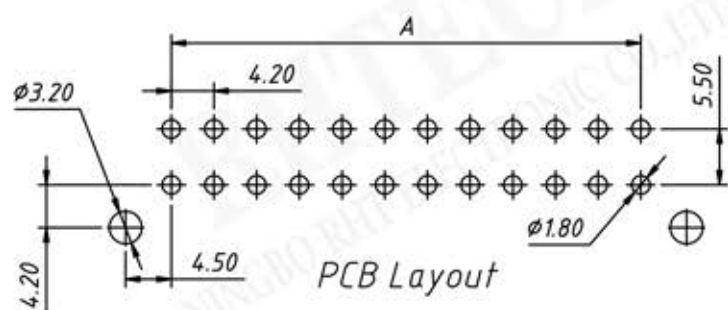
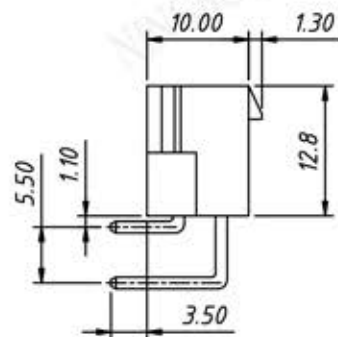
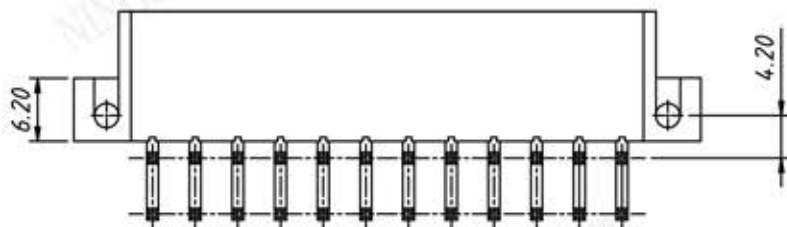
Pitch: 4.20mm  
Pins: \_\_\_\_\_  
1-Single layer  
2-Double layer  
No. of 02~06 pins \_\_\_\_\_  
Type: \_\_\_\_\_  
S / SW / SB - Straight male pin  
R / RW / RB - Right angle male pin



Pin	Dimensions(mm)	
	A	B
2×01	---	5.40
2×02	4.20	9.60
2×03	8.40	13.80
2×04	12.60	18.00
2×05	16.80	22.20
2×06	21.00	26.40
2×07	25.20	30.60
2×08	29.40	34.80
2×09	33.60	39.00
2×10	37.80	43.20
2×11	42.00	47.40
2×12	46.20	51.60

Material:  
Housing:PA66,UL94V-0/2  
Contacts:Brass  
Finish: Tin-plated or Gold-flash

Electrical Characteristics:  
Rated Current:7.0A AC,DC  
Voltage rating:600V AC,DC  
Temperature range:-25°C ~ +85°C  
Insulator Resistance:1000M $\Omega$  Min  
Withstanding Voltage:1500V AC/minute  
Contact Resistance:20m $\Omega$  Max



Order Information:

RE-C-4.20-2×02-RB

Pitch:4.20mm

Pins:

1-Single layer

2-Double layer

No.of 01~12 pins

Type:

S / SW / SB-Straight male pin

R / RW / RB-Right angle male pin