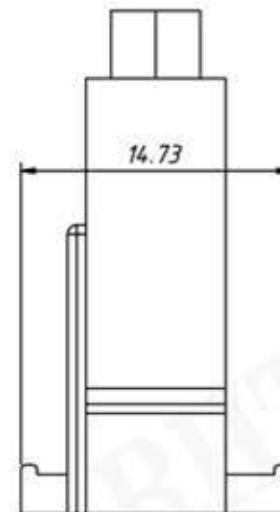
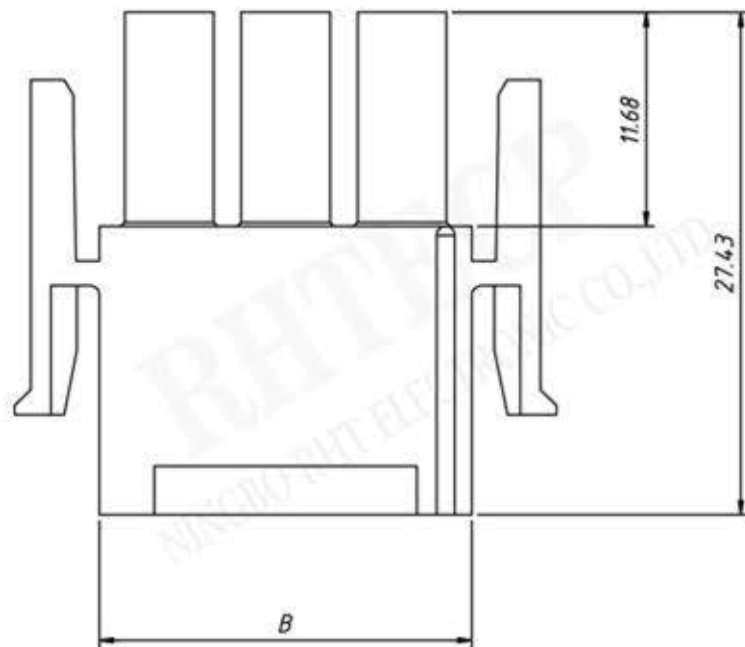


Material:
Housing:PA66,UL 94V-0/UL 94V-2

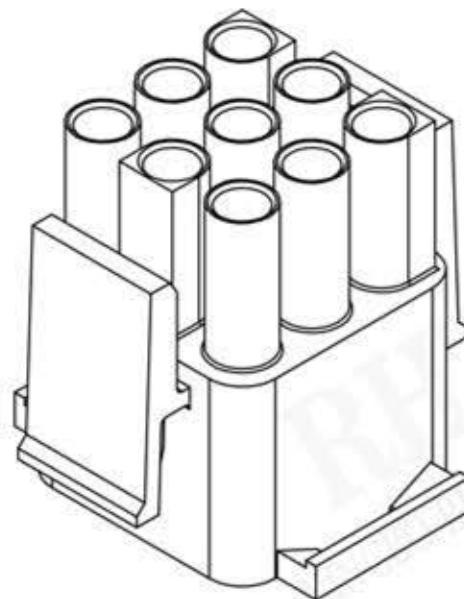
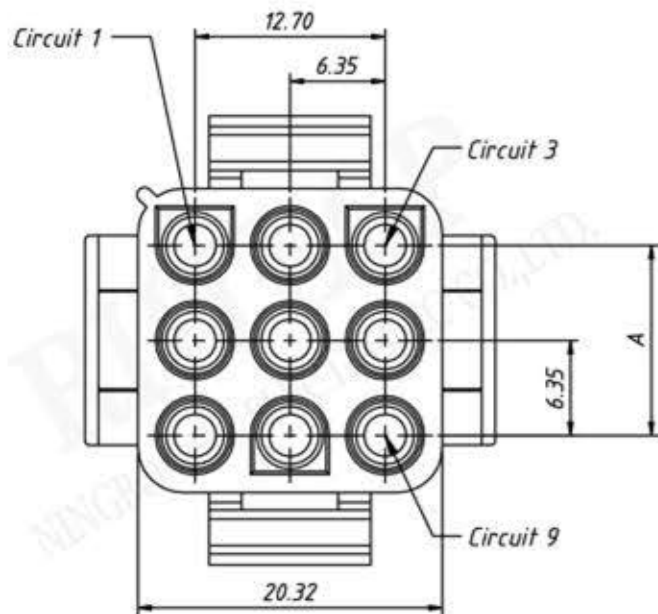
Electrical Characteristics:
Rated Current:15.0AMP
Voltage rating:600V AC,DC
Temperature range:-25°C ~ 85°C
Insulator Resistance:1000M Ω Min
Withstand Voltage:5000V AC/DC
Contact Resistance:3.5m Ω Max

Pin	Dimensions(mm)	
	A	B
02	6.35	13.97
03	12.70	20.32
04	19.05	26.67
05	25.40	33.02
06	31.75	39.37
08	44.45	52.07



Order Information:
RE - C - XL1-6.35-1 \times XX-FH

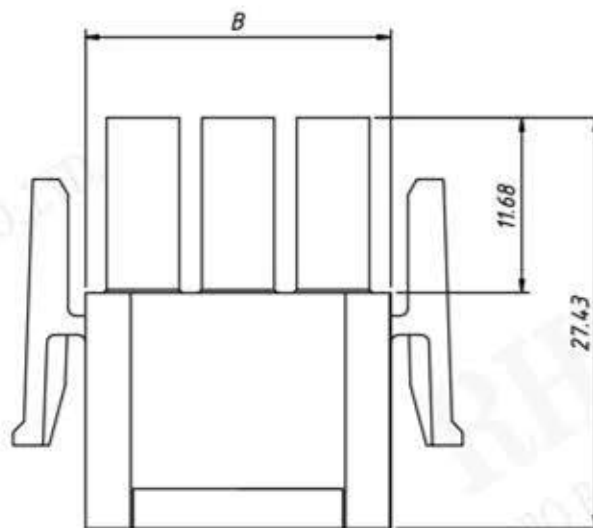
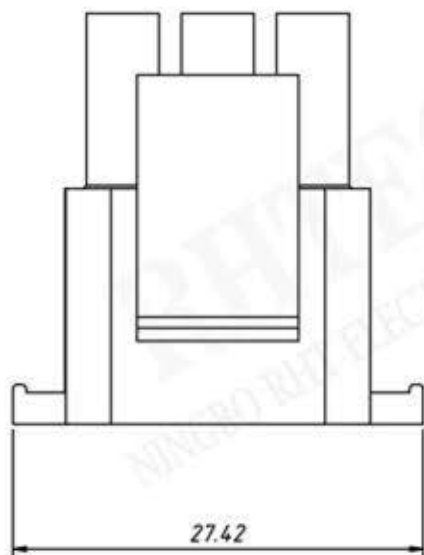
Pitch:6.35mm
Row:1-Single layer
2-Double layer
3-Three layer
XX-No. of 02~08 Pins
Type:
FH-Female Hosing MH-Male Hosing
FT-Female Terminal MT-Male Terminal
S/SW-Straight male pin
R-Right angle male pin



Material:
Housing: PA66, UL 94V-0/UL 94V-2

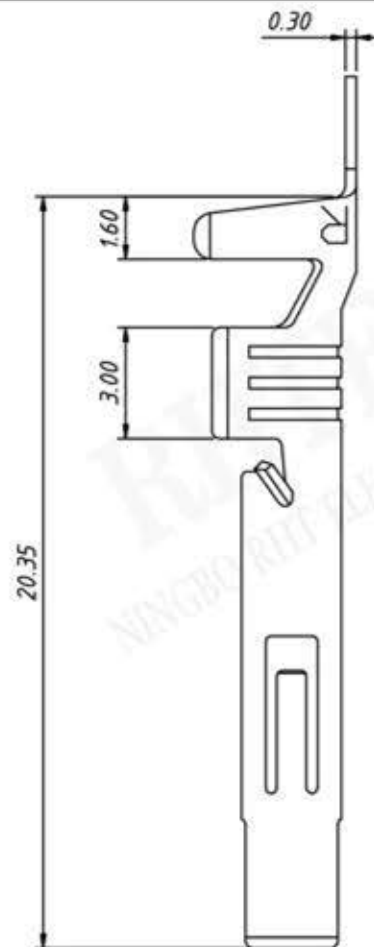
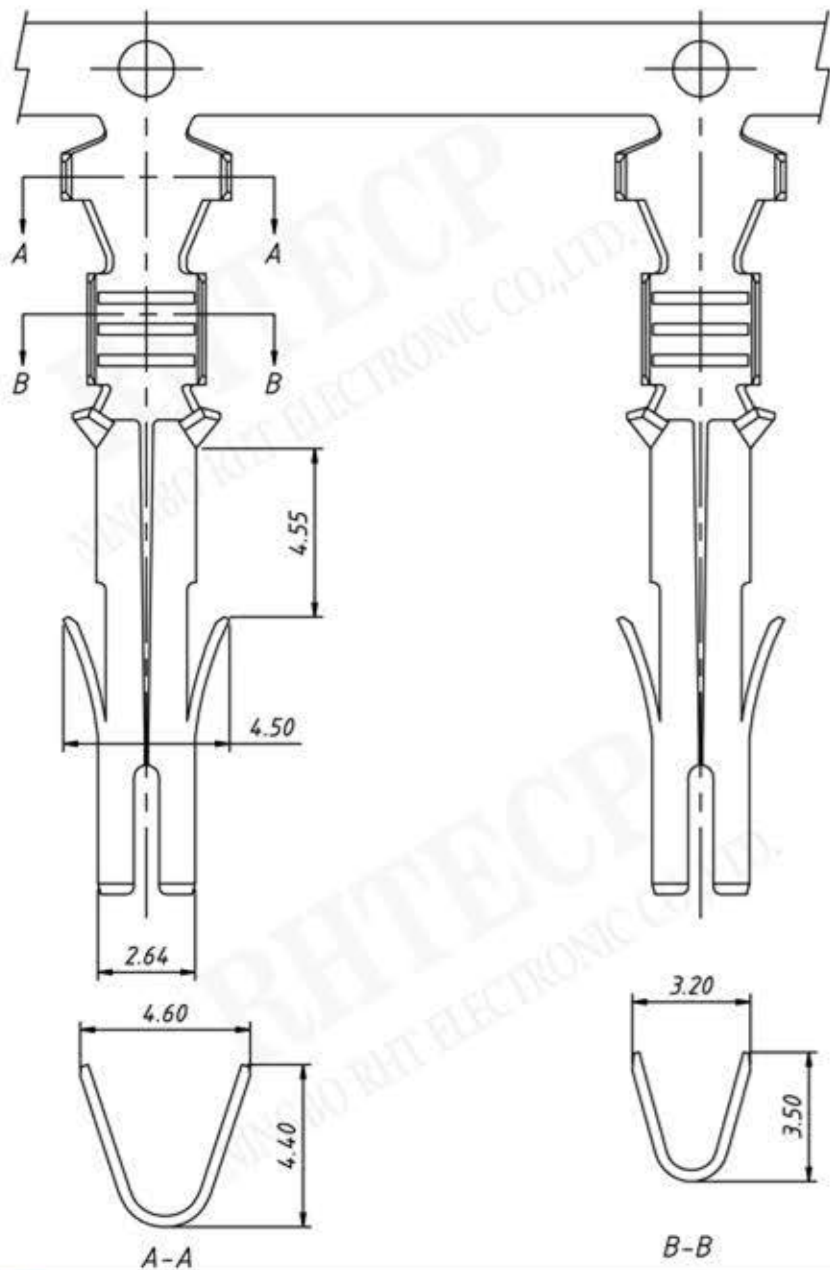
Electrical Characteristics:
Rated Current: 15.0AMP
Voltage rating: 600V AC/DC
Temperature range: -25°C ~ +85°C
Insulator Resistance: 1000MΩ Min
Withstand Voltage: 5000V AC/DC
Contact Resistance: 3.5mΩ Max

Pin	Dimensions (mm)	
	A	B
02	6.35	13.97
03	12.70	20.32
04	19.05	26.67
05	25.40	33.02



Order Information:
RE - C - XL1-6.35-3×XX-FH

Pitch: 6.35mm
Row: 1-Single layer
2-Double layer
3-Three layer
XX-No. of 02~05 Pins
Type: _____
FH-Female Hosing MH-Male Hosing
FT-Female Terminal MT-Male Terminal
S/SW-Straight male pin
R-Right angle male pin



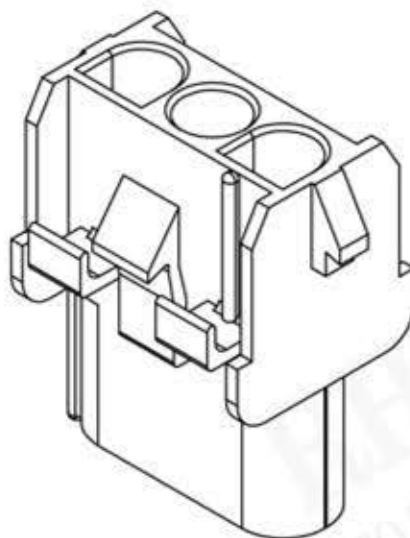
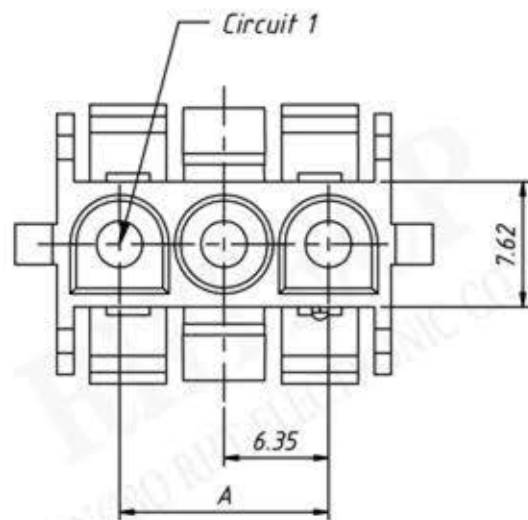
Material:
 Terminal: Brass
 Plating: Tin-plated.
 Applicable wires: AWG #14 ~ #20
 Insulation O.D: 3.30mm Max
 Qty/reel: 4000 PCS

Electrical Characteristics:
 Rated Current: 15.0AMP
 Voltage rating: 600V AC, DC
 Temperature range: -25°C ~ +85°C
 Insulator Resistance: 1000MΩ Min
 Withstand Voltage: 5000V AC/DC
 Contact Resistance: 3.5mΩ Max

Order Information:
 RE - C - XL1 - 6.35 - FT

Pitch: 6.35mm
 Type:
 FH - Female Hosing MH - Male Hosing
 FT - Female Terminal MT - Male Terminal
 S/SW - Straight male pin
 R - Right angle male pin

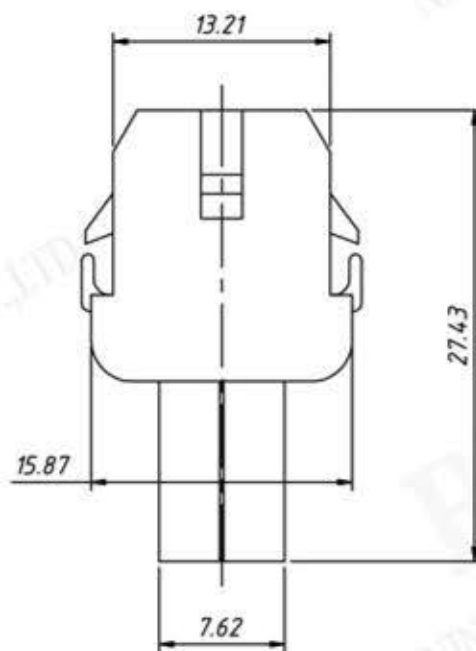
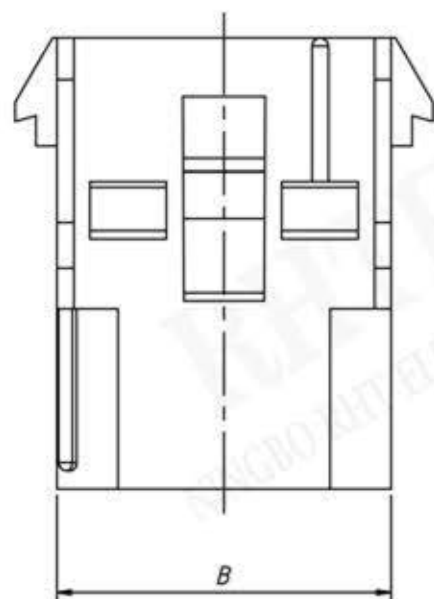
UNITS:mm	SHEET SIZE:A4		SCALE: ---
> 0 ~ 3	> 3 ~ 18	> 18 ~ 50	> 50 ~ 120
± 0.12	± 0.15	± 0.3	± 0.5



Material:
Housing:PA66,UL 94V-0/UL 94V-2

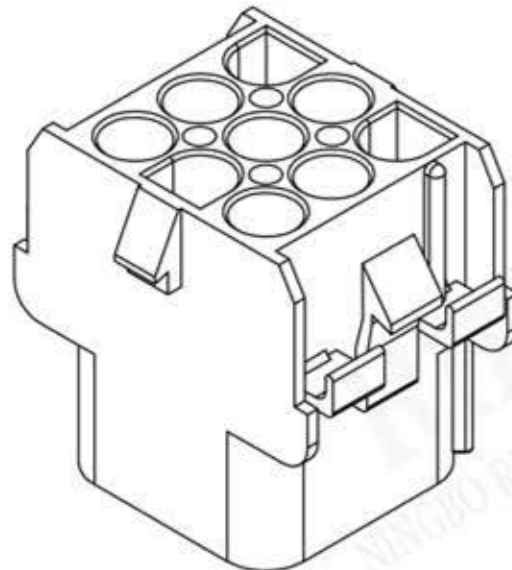
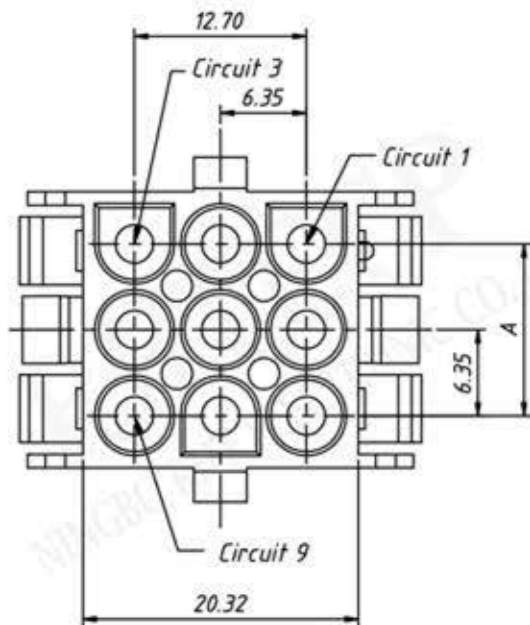
Electrical Characteristics:
Rated Current:15.0AMP
Voltage rating:600V AC,DC
Temperature range:-25°C ~ +85°C
Insulator Resistance:1000M Ω Min
Withstand Voltage:5000V AC/DC
Contact Resistance:3.5m Ω Max

Pin	Dimensions(mm)	
	A	B
02	6.35	13.97
03	12.70	20.32
04	19.05	26.67
05	25.40	33.02
06	31.75	39.37
08	44.45	52.07



Order Information:
RE - C - XL1-6.35-1 \times XX-MH

Pitch:6.35mm
Row:1-Single layer
2-Double layer
3-Three layer
XX-No.of 02~08 Pins
Type:
FH-Female Hosing MH-Male Hosing
FT-Female Terminal MT-Male Terminal
S/SW-Straight male pin
R-Right angle male pin



Material:
Housing-PA66,UL 94V-0/UL 94V-2

Electrical Characteristics:
Rated Current:15.0AMP
Voltage rating:600V AC,DC
Temperature range:-25°C ~ + 85°C
Insulator Resistance:1000M Ω Min
Withstand Voltage:5000V AC/DC
Contact Resistance:3.5m Ω Max

Pin	Dimensions(mm)	
	A	B
02	6.35	13.97
03	12.70	20.32
04	19.05	26.67
05	25.40	33.02

Order Information:

RE - C - XL1-6.35-3 \times XX-MH

Pitch:6.35mm

Row:1-Single layer

2-Double layer

3-Three layer

XX-No. of 02~05 Pins

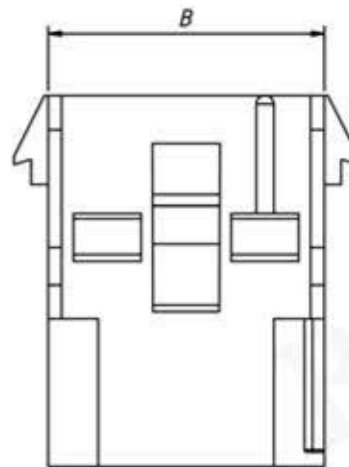
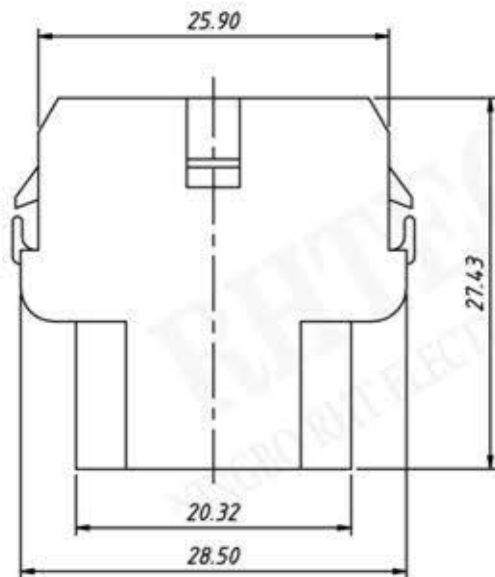
Type:

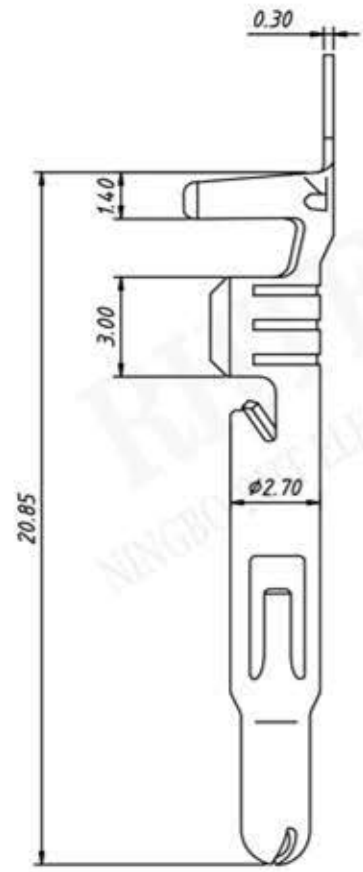
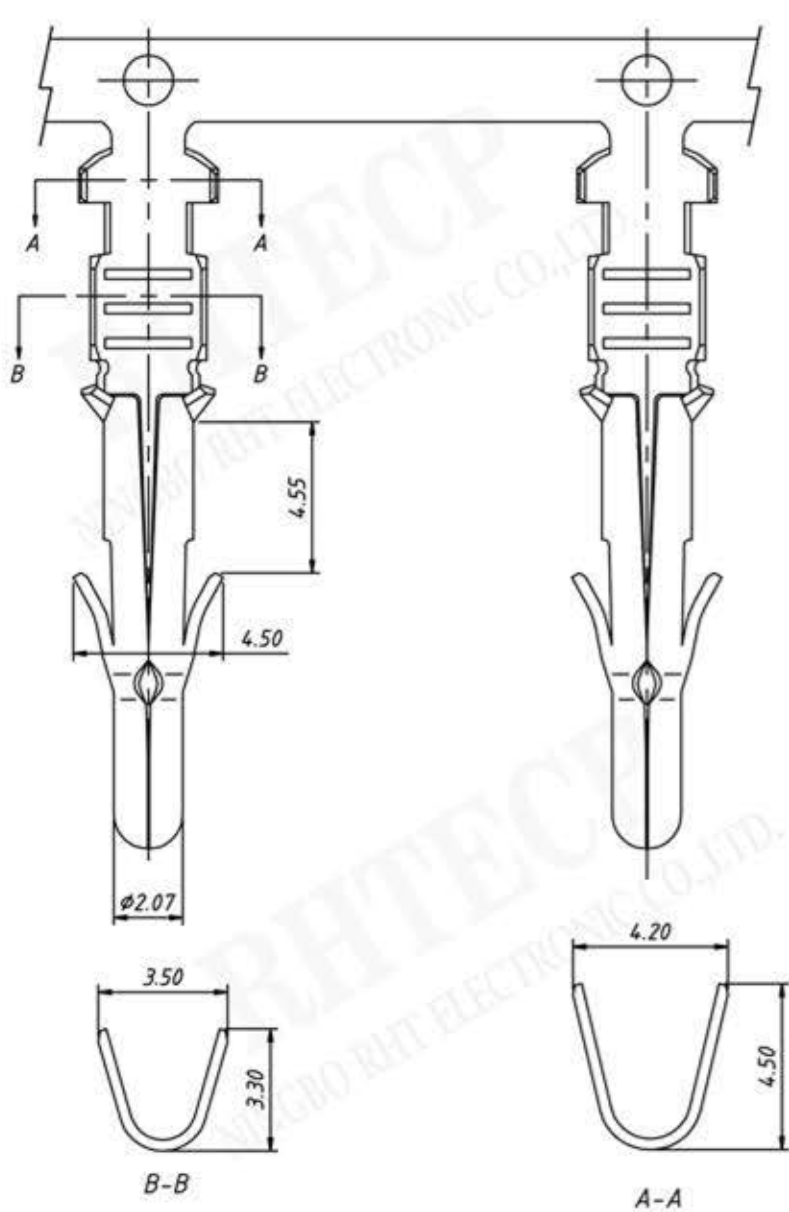
FH-Female Hosing MH-Male Hosing

FT-Female Terminal MT-Male Terminal

S/SW-Straight male pin

R-Right angle male pin





Material:
 Terminal: Brass
 Plating: Tin-plated.
 Applicable wires: AWG #14 ~ # 20
 Insulation O.D: 3.30mm Max
 Qty/reel: 4000 PCS

Electrical Characteristics:
 Rated Current: 15.0AMP
 Voltage rating: 600V AC, DC
 Temperature range: $-25^{\circ}\text{C} \sim +85^{\circ}\text{C}$
 Insulator Resistance: 1000M Ω Min
 Withstand Voltage: 5000V AC/DC
 Contact Resistance: 3.5m Ω Max

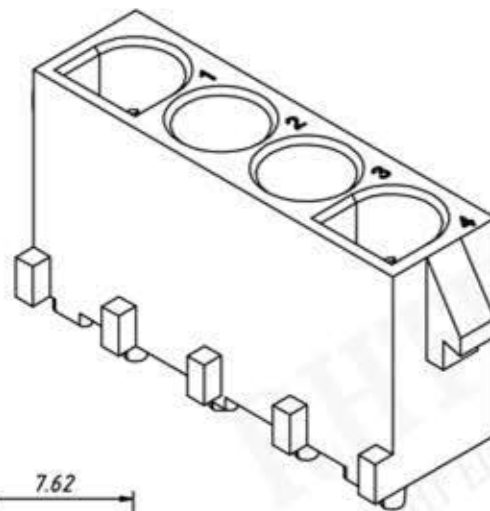
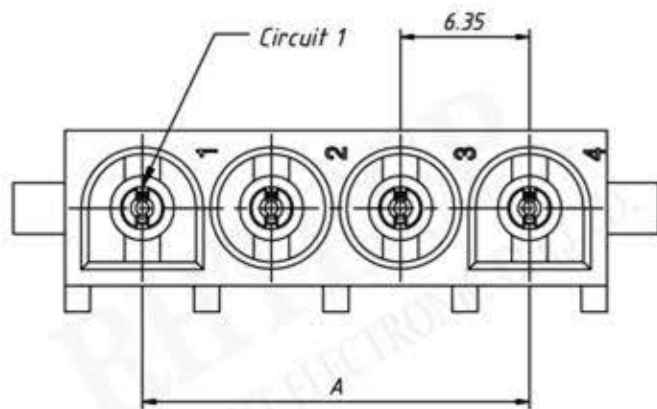
Order Information:
 RE - C - XL1 - 6.35 - MT

Pitch: 6.35mm

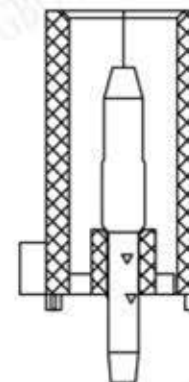
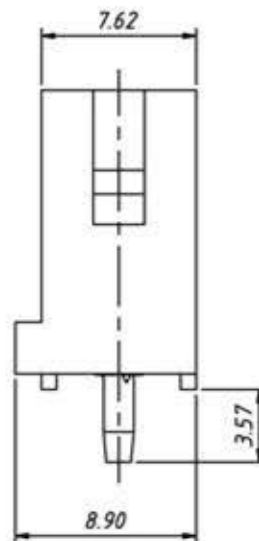
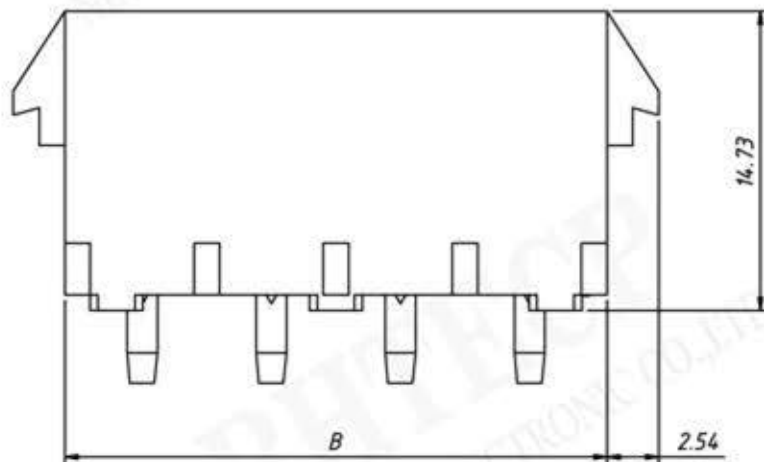
Type:

- FH - Female Hosing
- MH - Male Hosing
- FT - Female Terminal
- MT - Male Terminal
- S/SW - Straight male pin
- R - Right angle male pin

UNITS:mm	SHEET SIZE:A4		SCALE: ---
> 0 ~ 3	> 3 ~ 18	> 18 ~ 50	> 50 ~ 120
± 0.12	± 0.15	± 0.3	± 0.5



Material:
 Housing:PA66,UL 94V-0/UL 94V-2
 Contact:Brass
 Plating:Tin Plated
 Electrical Characteristics:
 Rated Current:15.0AMP
 Voltage rating:600V AC,DC
 Temperature range:-25°C ~ +85°C
 Insulator Resistance:1000M Ω Min
 Withstand Voltage:5000V AC/DC
 Contact Resistance:3.5m Ω Max



Pin	Dimensions(mm)	
	A	B
02	6.35	13.97
03	12.70	20.32
04	19.05	26.67
05	25.40	33.02
06	31.75	39.37
08	44.45	52.07

Order Information:

RE - C - XL1 - 6.35 - 1xXX - S

Pitch:6.35mm

Row:1-Single layer

2-Double layer

3-Three layer

XX-No.of 02~08 Pins

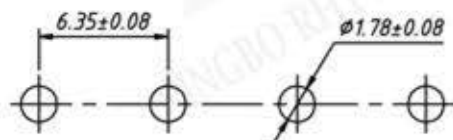
Type:

FH-Female Hosing MH-Male Hosing

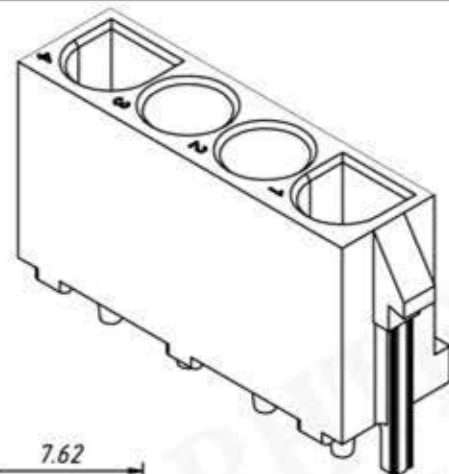
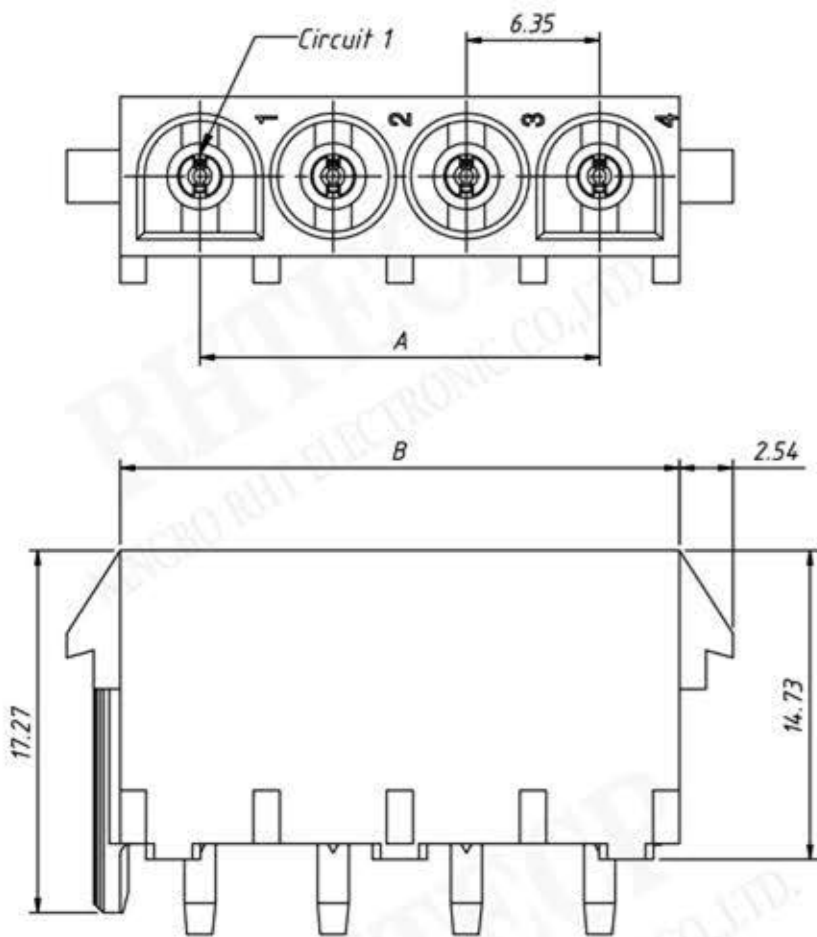
FT-Female Terminal MT-Male Terminal

S/SW-Straight male pin

R-Right angle male pin

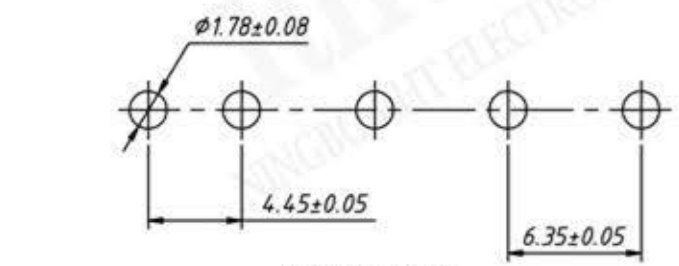
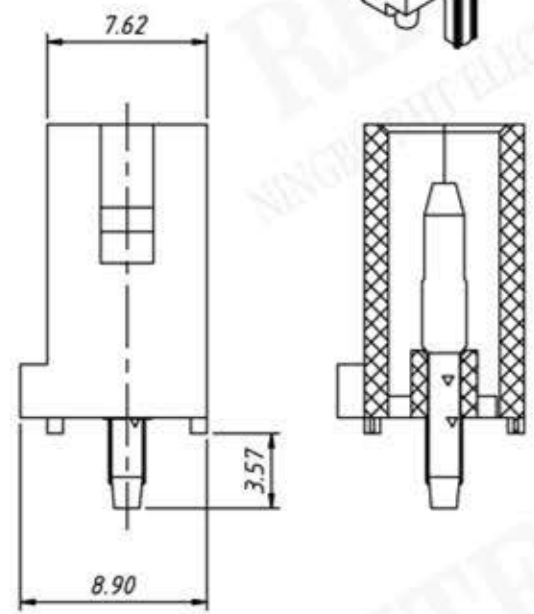


PCB LAYOUT



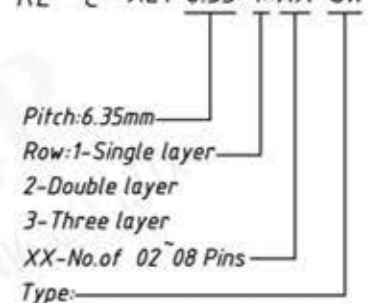
Material:
 Housing: PA66, UL 94V-0/UL 94V-2
 Contact: Brass
 Plating: Tin Plated
Electrical Characteristics:
 Rated Current: 15.0AMP
 Voltage rating: 600V AC, DC
 Temperature range: -25°C ~ +85°C
 Insulator Resistance: 1000MΩ Min
 Withstand Voltage: 5000V AC/DC
 Contact Resistance: 3.5mΩ Max

Pin	Dimensions (mm)	
	A	B
02	6.35	13.97
03	12.70	20.32
04	19.05	26.67
05	25.40	33.02
06	31.75	39.37
08	44.45	52.07

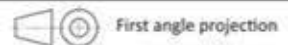


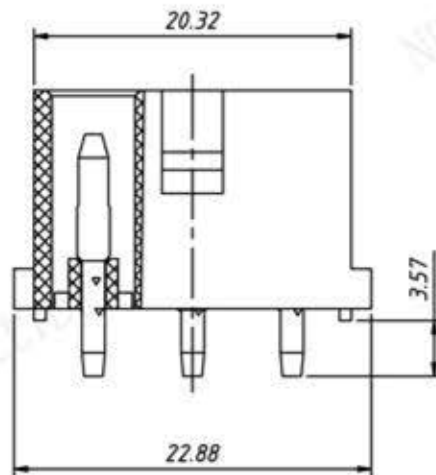
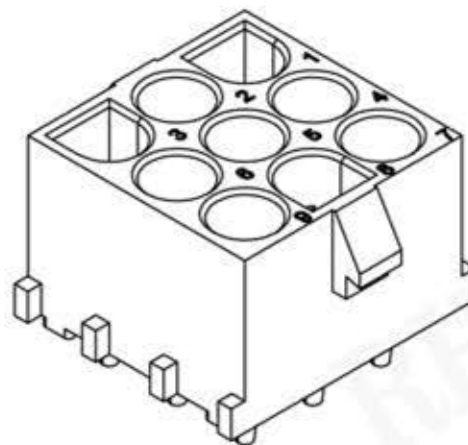
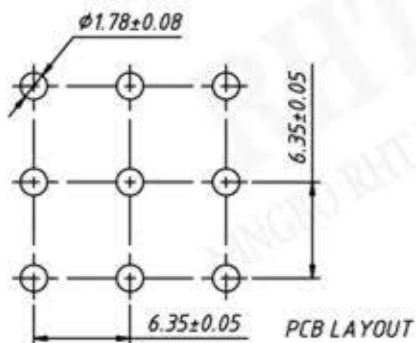
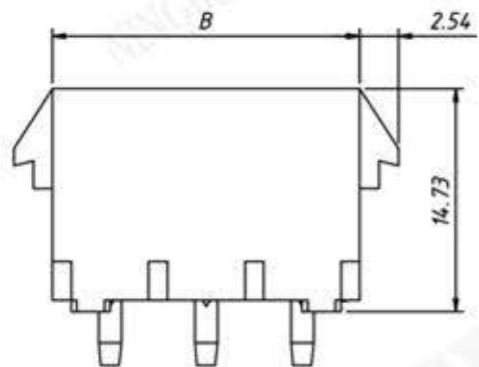
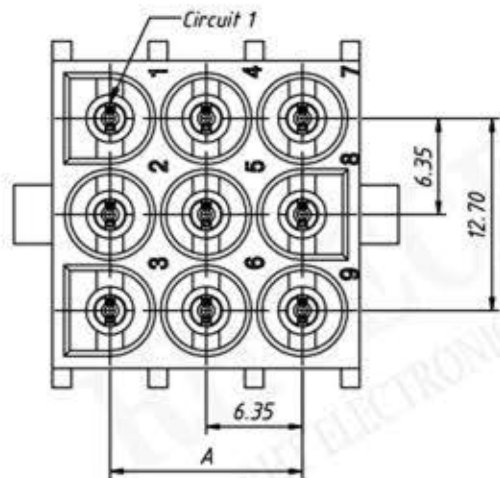
PCB LAYOUT

Order Information:
 RE - C - XL1-6.35-1*XX-SW



UNITS:mm	SHEET SIZE:A4		SCALE: ---
> 0 ~ 3	> 3 ~ 18	> 18 ~ 50	> 50 ~ 120
± 0.12	± 0.15	± 0.3	± 0.5





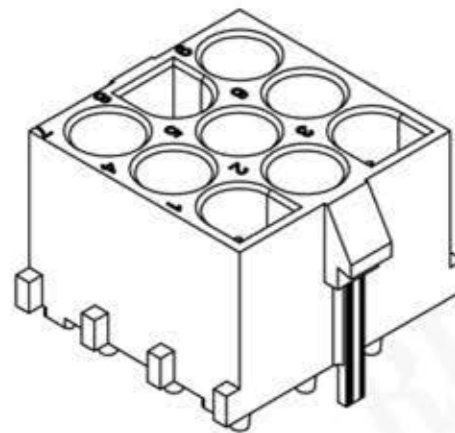
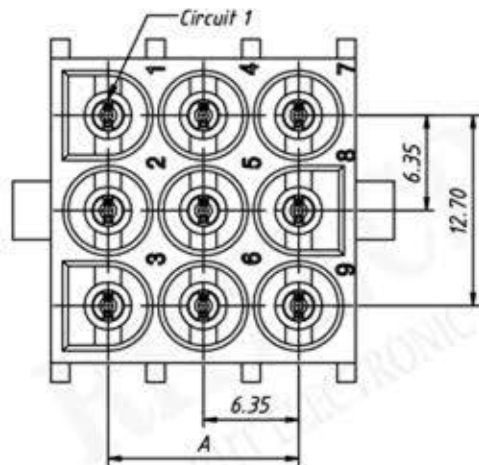
Material:
 Housing: PA66, UL 94V-0/UL 94V-2
 Contact: Brass
 Plating: Tin Plated

Electrical Characteristics:
 Rated Current: 15.0AMP
 Voltage rating: 600V AC/DC
 Temperature range: -25°C ~ +85°C
 Insulator Resistance: 1000MΩ Min
 Withstand Voltage: 5000V AC/DC
 Contact Resistance: 3.5mΩ Max

Pin	Dimensions (mm)	
	A	B
02	6.35	13.97
03	12.70	20.32
04	19.05	26.67
05	25.40	33.02

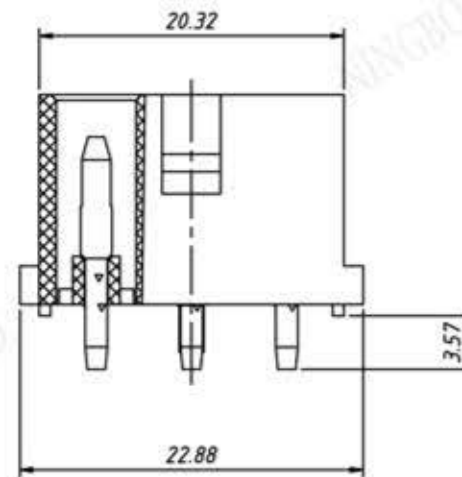
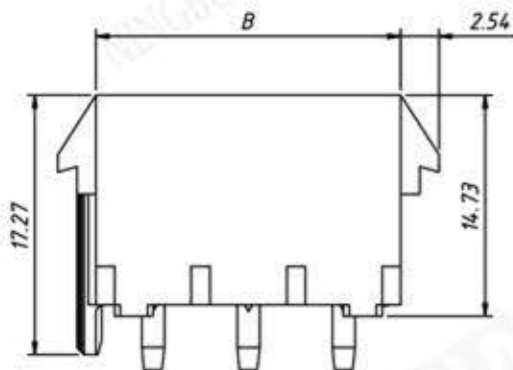
Order Information:
 RE - C - XL1 - 6.35 - 3 × XX - S

Pitch: 6.35mm
 Row: 1-Single layer
 2-Double layer
 3-Three layer
 XX-No. of 02~05 Pins
 Type:
 FH-Female Hosing MH-Male Hosing
 FT-Female Terminal MT-Male Terminal
 S/SW-Straight male pin
 R-Right angle male pin

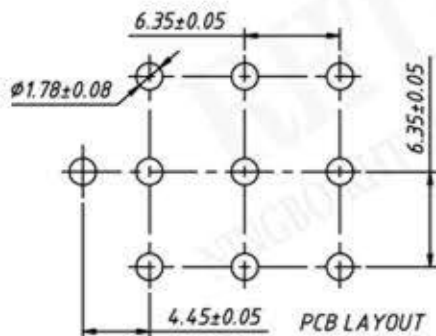


Material:
Housing: PA66, UL 94 V-0/UL 94 V-2
Contact: Brass
Plating: Tin Plated

Electrical Characteristics:
Rated Current: 15.0AMP
Voltage rating: 600V AC, DC
Temperature range: -25°C ~ +85°C
Insulator Resistance: 1000M Ω Min
Withstand Voltage: 5000V AC/DC
Contact Resistance: 3.5m Ω Max



Pin	Dimensions (mm)	
	A	B
02	6.35	13.97
03	12.70	20.32
04	19.05	26.67
05	25.40	33.02



Order Information:
RE - C - XL1-6.35-3 \times XX-SW

Pitch: 6.35mm
Row: 1-Single layer
2-Double layer
3-Three layer
XX-No. of 02~05 Pins
Type:
FH-Female Hosing MH-Male Hosing
FT-Female Terminal MT-Male Terminal
S/SW-Straight male pin
R-Right angle male pin