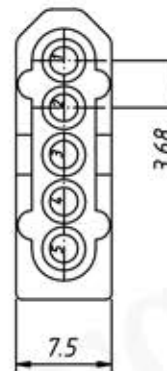
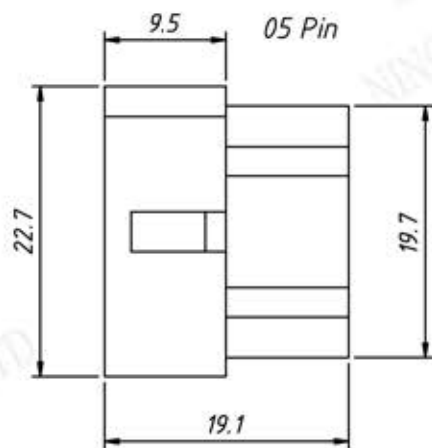
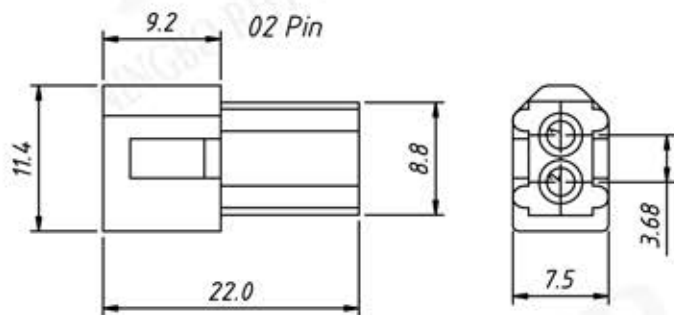


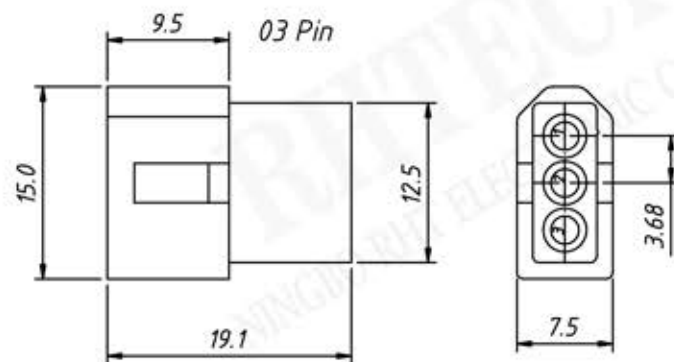
**Material:**  
Housing:PA66,UL94V-2

**Electrical Characteristics:**  
Voltage Rating:250V AC/DC  
Rated Current:5.0A AC/DC  
Temperature range:-40°C ~ +105°C  
Insulator Resistance:1000M $\Omega$  Min  
Withstanding Voltage:1500V AC/minute

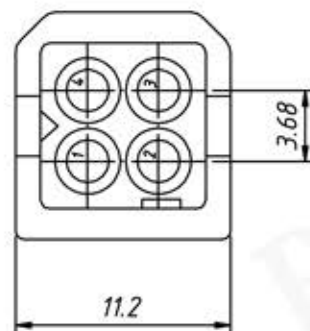
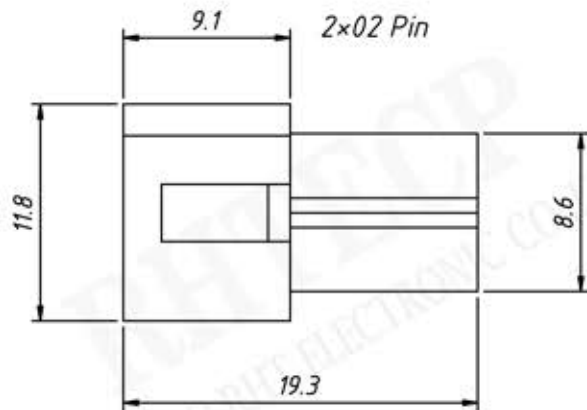


**Order Information:**  
RE - C - 3.68 - 1xXX - MH

Pitch:3.68mm  
Row:  
1-Single layer  
2-Double layer  
3-Three layer  
XX-No. of 01~05pins  
Type:  
FH / RFH-Female Hosing  
MH / RMH-Male Hosing  
FT-Female Terminal  
MT-Male Terminal

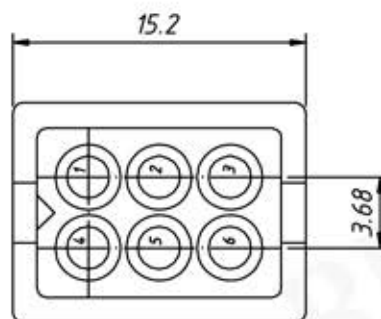
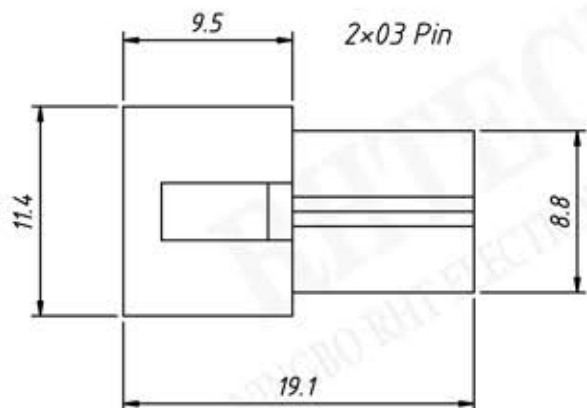


UNITS:mm	SHEET SIZE:A4		SCALE: ---
> 0~3	> 3~18	> 18~50	> 50~120
± 0.12	± 0.15	± 0.3	± 0.5



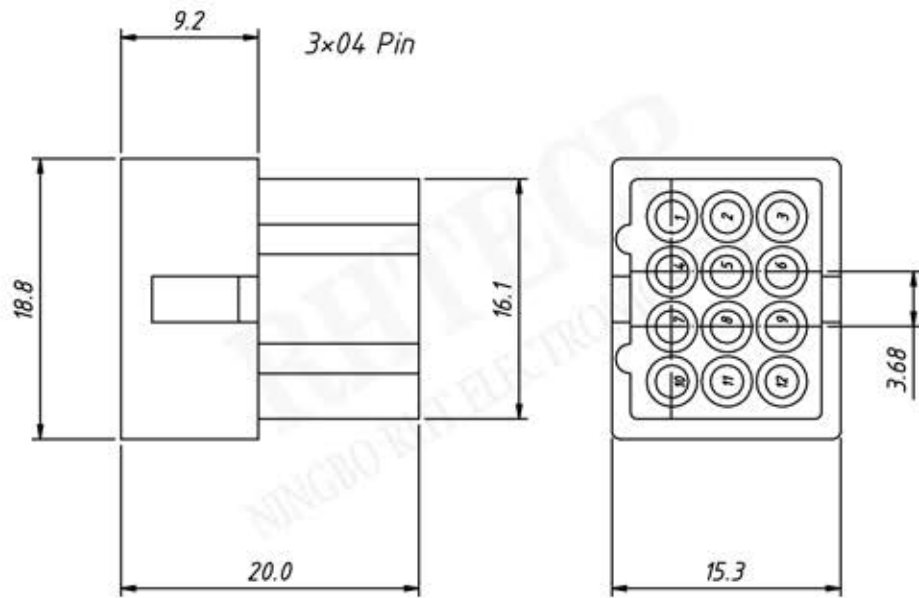
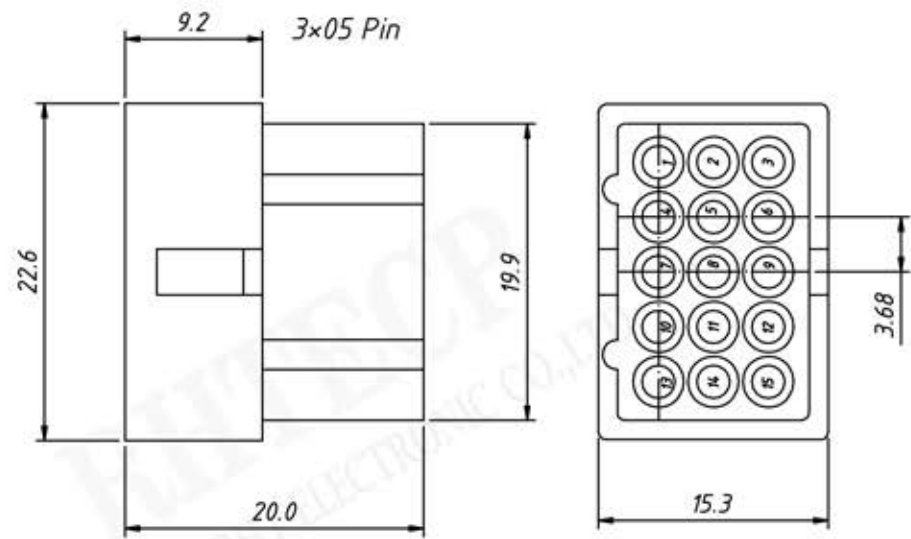
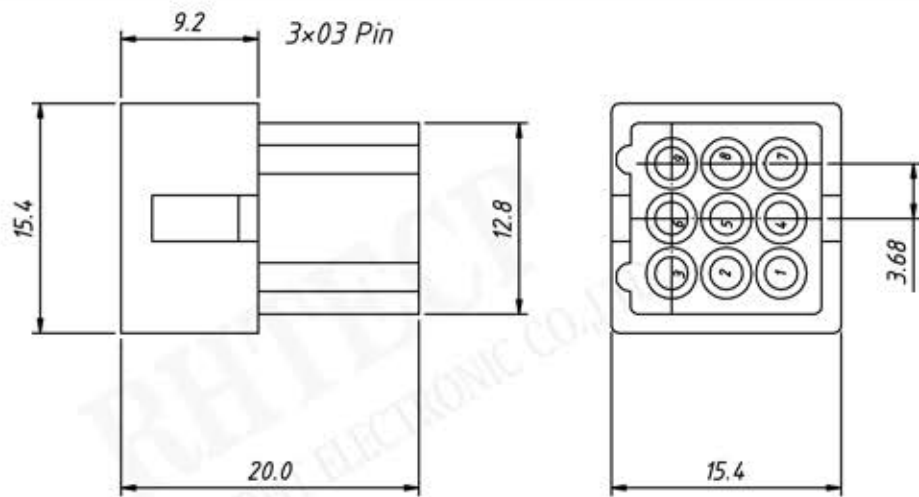
Material:  
Housing:PA66,UL 94V-2

Electrical Characteristics:  
Voltage Rating:250V AC/DC  
Rated Current:5.0A AC/DC  
Temperature range:-40°C ~ +105°C  
Insulator Resistance:1000M $\Omega$  Min  
Withstanding Voltage:1500V AC/minute



Order Information:  
RE - C - 3.68 - 2xXX - MH

Pitch:3.68mm  
Row:  
1-Single layer  
2-Double layer  
3-Three layer  
02,03 pins  
Type:  
FH / RFH-Female Hosing  
MH / RMH-Male Hosing  
FT-Female Terminal  
MT-Male Terminal

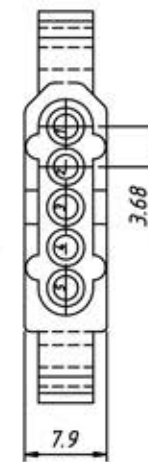
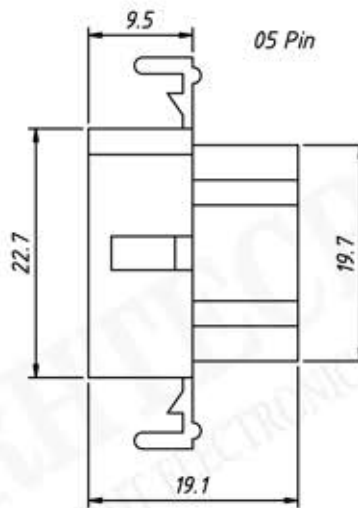
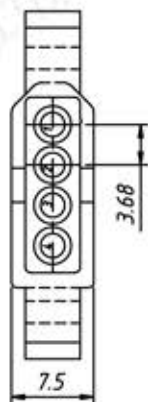
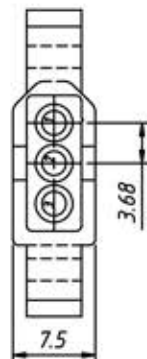
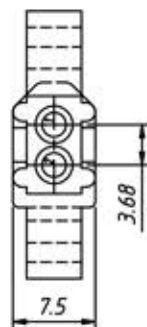
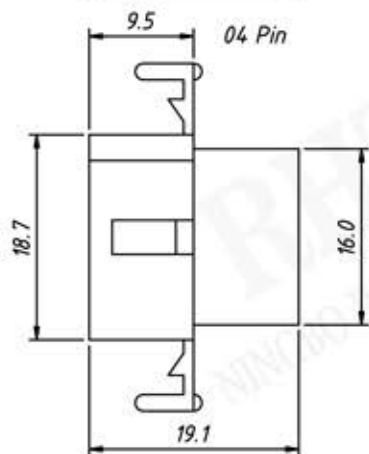
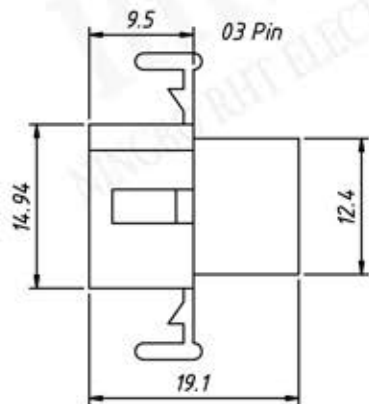
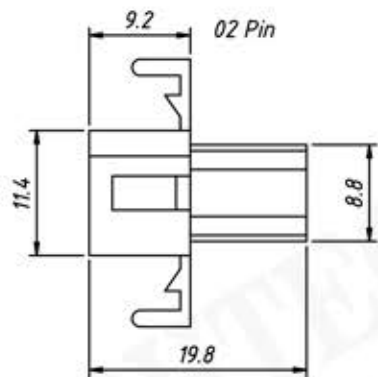


**Material:**  
Housing:PA66,UL94V-2

**Electrical Characteristics:**  
Voltage Rating:250V AC/DC  
Rated Current:5.0A AC/DC  
Temperature range:-40°C ~ + 105°C  
Insulator Resistance:1000M $\Omega$  Min  
Withstanding Voltage:1500V AC/minute

**Order Information:**  
RE - C - 3.68 - 3×XX - MH

Pitch:3.68mm  
Row:  
1-Single layer  
2-Double layer  
3-Three layer  
03,04,05 pins  
Type:  
FH / RFH-Female Hosing  
MH / RMH-Male Hosing  
FT-Female Terminal  
MT-Male Terminal

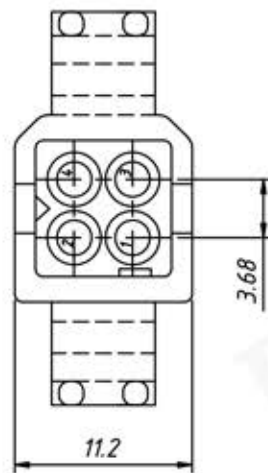
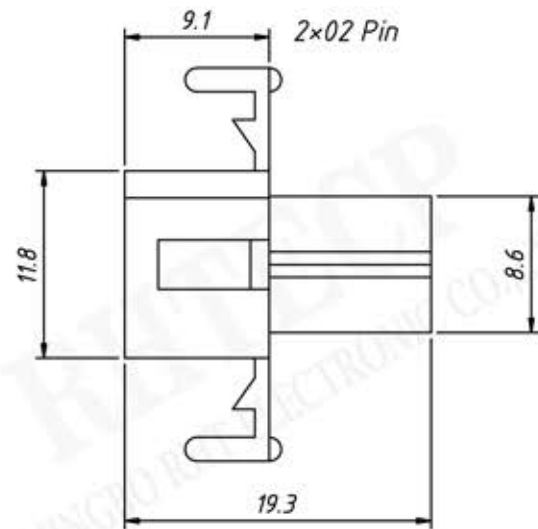


**Material:**  
Housing:PA66,UL94V-2

**Electrical Characteristics:**  
Voltage Rating:250V AC/DC  
Rated Current:5.0A AC/DC  
Temperature range:-40°C ~ +105°C  
Insulator Resistance:1000MΩ Min  
Withstanding Voltage:1500V AC/minute  
Contact Resistance:20mΩ max.

**Order Information:**  
RE - C - 3.68 - 1xXX - RMH

Pitch:3.68mm  
Row:  
1-Single layer  
2-Double layer  
3-Three layer  
XX-No.of 02~05pins  
Type:  
FH / RFH-Female Hosing  
MH / RMH-Male Hosing  
FT-Female Terminal  
MT-Male Terminal

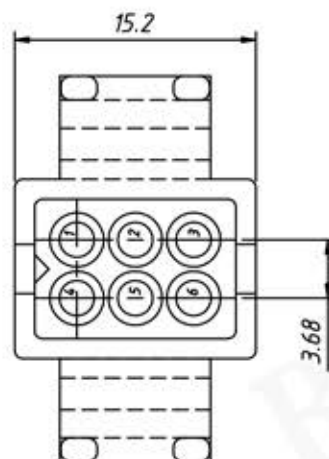
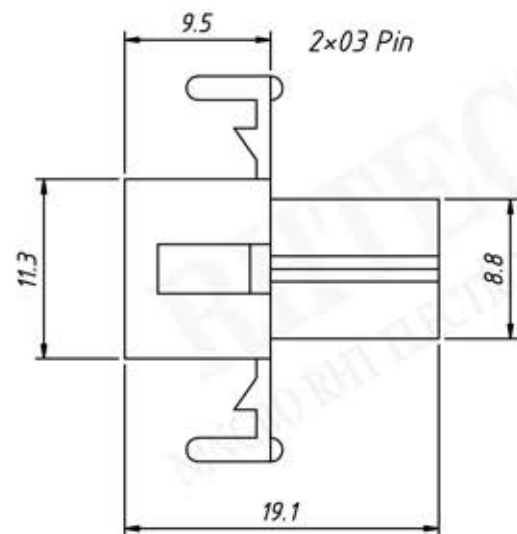


**Material:**  
Housing:PA66,UL94V-2

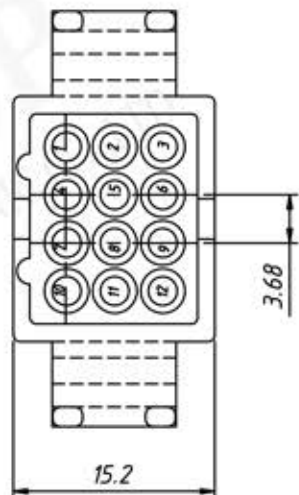
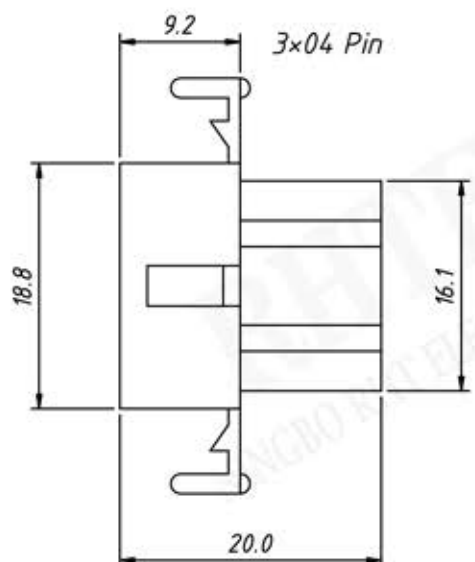
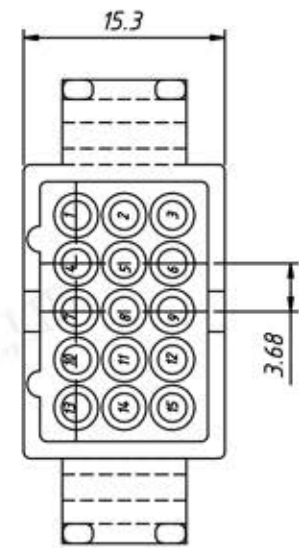
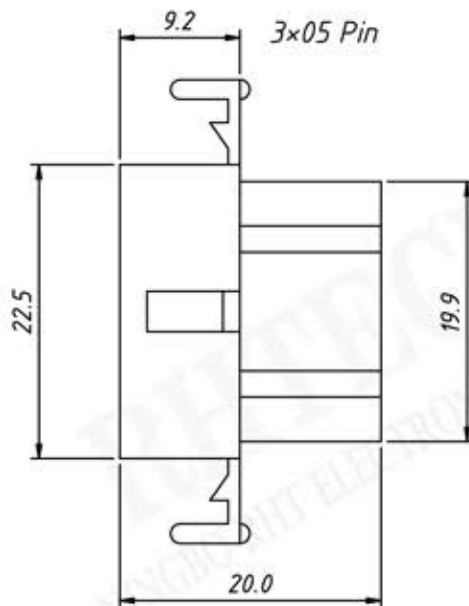
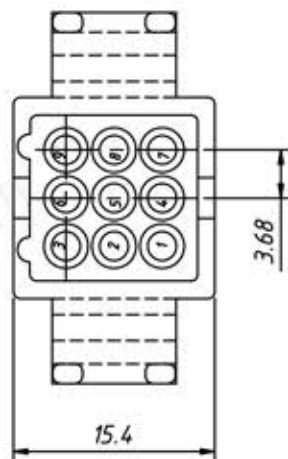
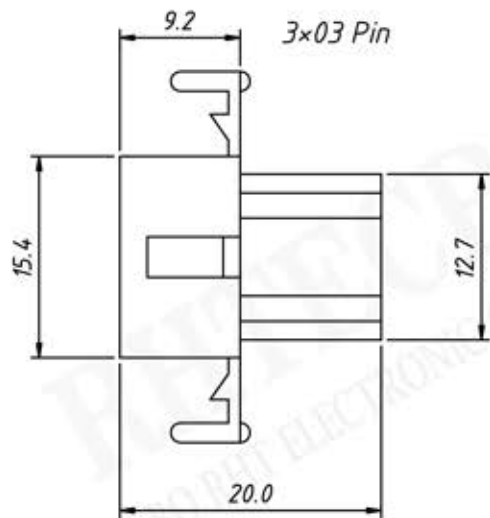
**Electrical Characteristics:**  
Voltage Rating:250V AC/DC  
Rated Current:5.0A AC/DC  
Temperature range:-40°C ~ +105°C  
Insulator Resistance:1000M $\Omega$  Min  
Withstanding Voltage:1500V AC/minute  
Contact Resistance:20m $\Omega$  max.

**Order Information:**  
RE - C - 3.68 - 2xXX - RMH

Pitch:3.68mm  
Row:  
1-Single layer  
2-Double layer  
3-Three layer  
02,03 pins  
Type:  
FH / RFH-Female Hosing  
MH / RMH-Male Hosing  
FT-Female Terminal  
MT-Male Terminal

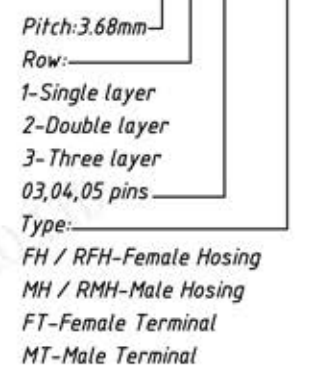






**Order Information:**

RE - C - 3.68 - 3xXX - RMH



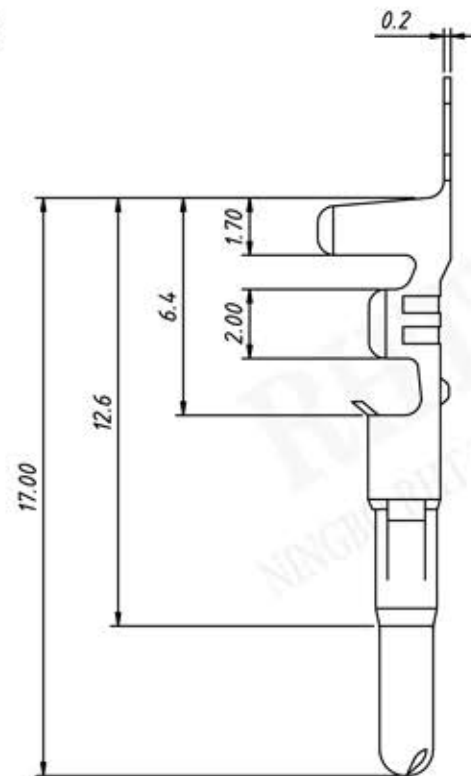
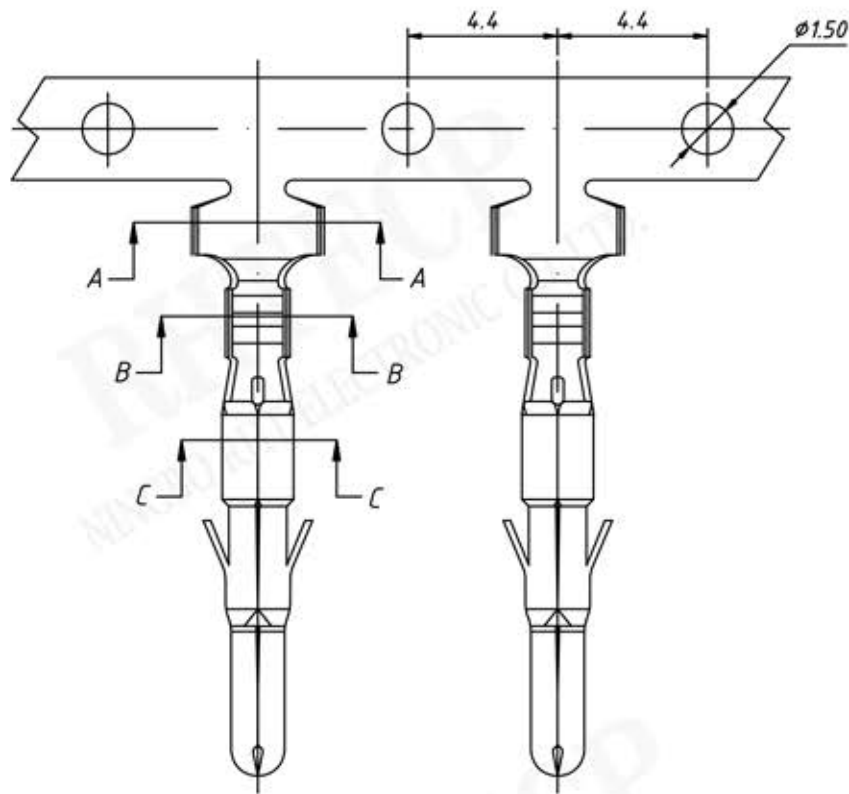
**Material:**

Housing: PA66, UL 94V-2

**Electrical Characteristics:**

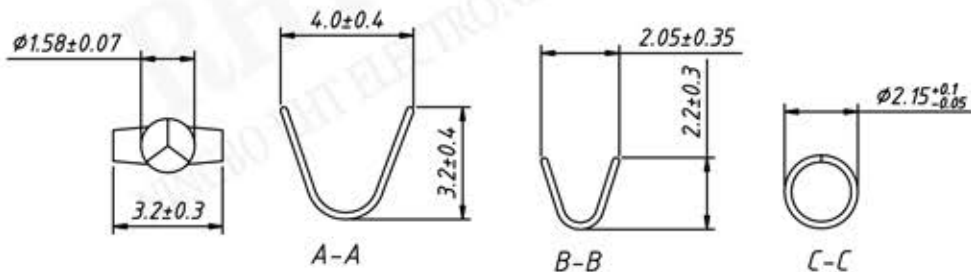
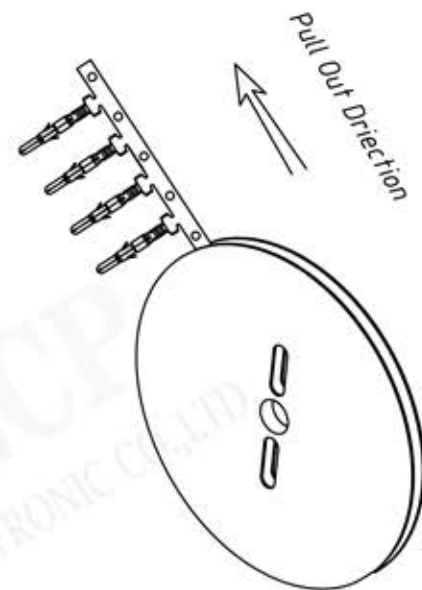
- Voltage Rating: 250V AC/DC
- Rated Current: 5.0A AC/DC
- Temperature range: -40°C ~ +105°C
- Insulator Resistance: 1000MΩ Min
- Withstanding Voltage: 1500V AC/minute
- Contact Resistance: 20mΩ max.

UNITS:mm	SHEET SIZE:A4		SCALE: ---
> 0 ~ 3	> 3 ~ 18	> 18 ~ 50	> 50 ~ 120
± 0.12	± 0.15	± 0.3	± 0.5

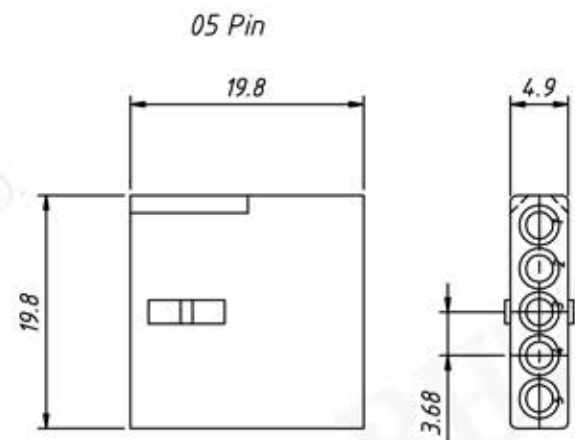
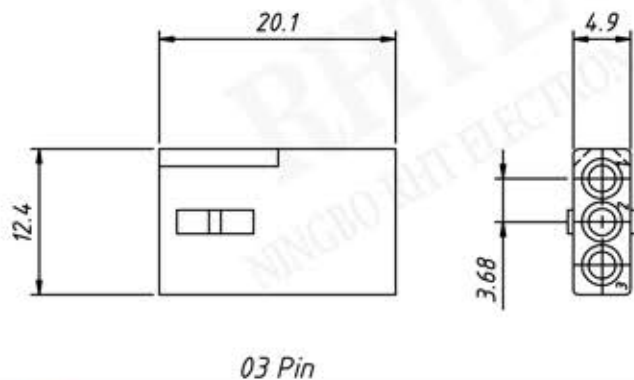
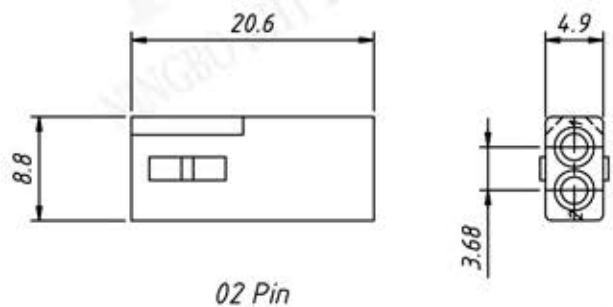
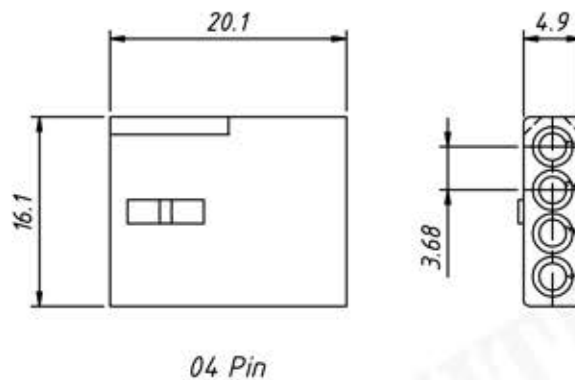
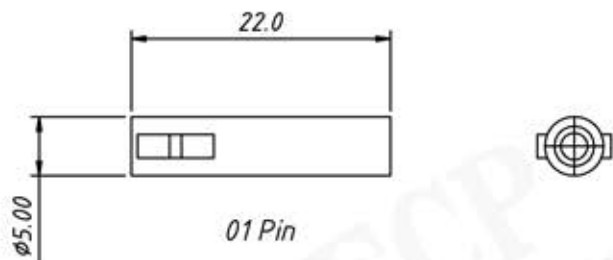


Material:  
 Terminal: Brass  
 Plating: Tin plated  
 Applicable wires: AWG #24 ~ #18  
 Thickness: 0.2mm  
 Qty/reel: 7000 pcs

Electrical Characteristics:  
 Voltage Rating: 250V AC/DC  
 Rated Current: 5.0A AC/DC  
 Temperature range: -25°C ~ +105°C  
 Insulator Resistance: 1000MΩ Min  
 Withstanding Voltage: 1500V AC/minute  
 Contact Resistance: 20mΩ max.



Order Information:  
 RE - C - 3.68 - MT  
 Pitch: 3.68mm  
 Type:  
 MT - Male Terminal



Material:  
Housing:PA66,UL 94V-2

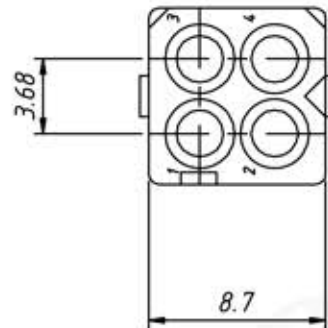
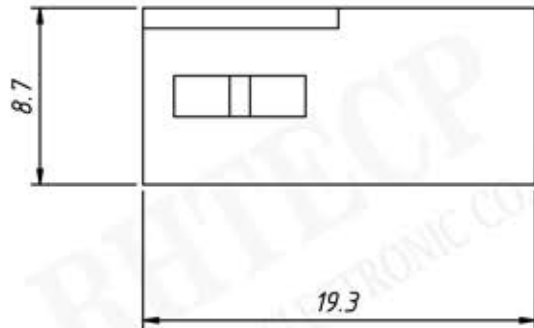
Electrical Characteristics:  
Rated Current:5.0AMP  
Temperature range:-40°C ~ +105°C  
Insulator Resistance:1000M $\Omega$  Min  
Withstanding Voltage:1500V AC/minute

Order Information:  
RE - C - 3.68 - 1×XX - FH

Pitch:3.68mm  
Row:  
1-Single layer  
2-Double layer  
3-Three layer  
XX-No. of 01~05pins  
Type:  
FH / RFH-Female Hosing  
MH / RMH-Male Hosing  
FT-Female Terminal  
MT-Male Terminal



2×02 Pin



Material:

Housing:PA66,UL 94V-2

Electrical Characteristics:

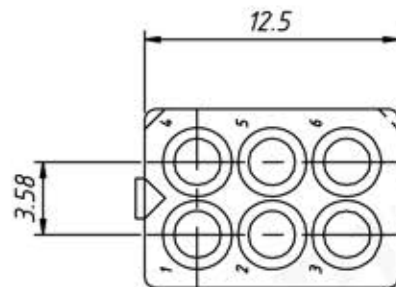
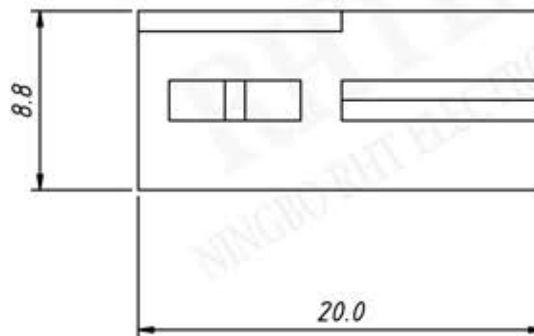
Rated Current:5.0AMP

Temperature range:-40°C ~ +105°C

Insulator Resistance:1000MΩ Min

Withstanding Voltage:1500V AC/minute

2×03 Pin



Order Information:

RE - C - 3.68 - 2×XX - FH

Pitch:3.68mm

Row:

1-Single layer

2-Double layer

3-Three layer

02,03 pins

Type:

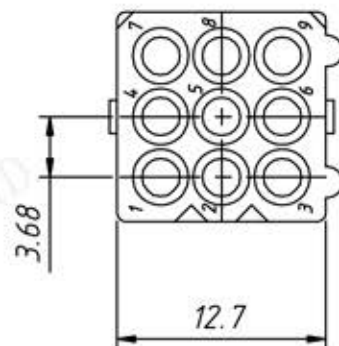
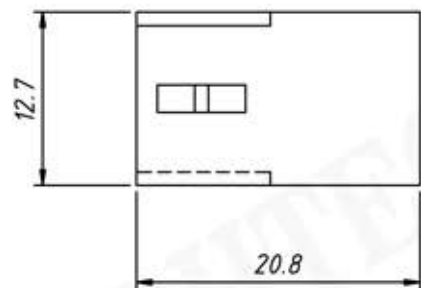
FH / RFH-Female Hosing

MH / RMH-Male Hosing

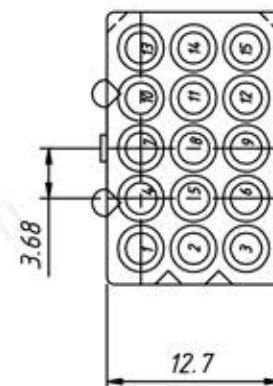
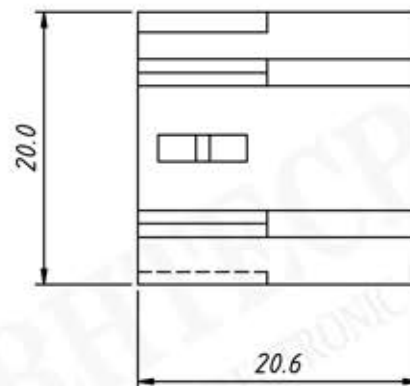
FT-Female Terminal

MT-Male Terminal

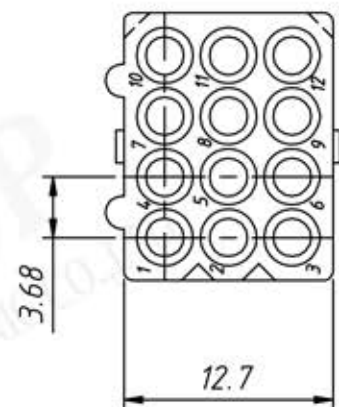
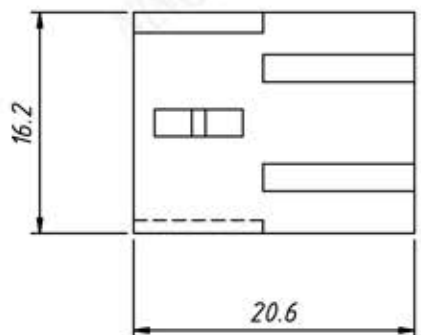
3×03 Pin



3×05 Pin



3×04 Pin

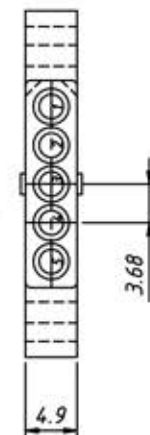
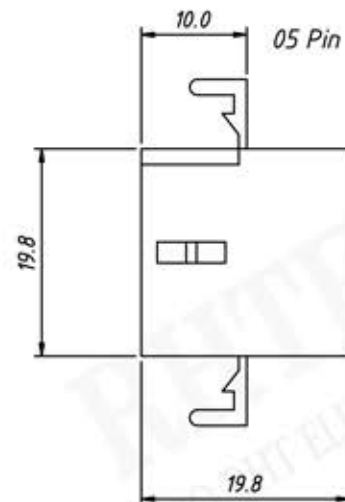
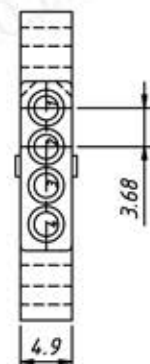
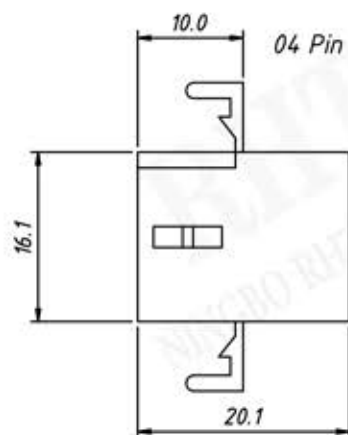
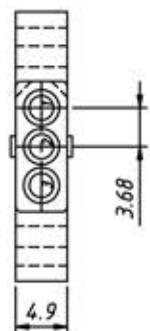
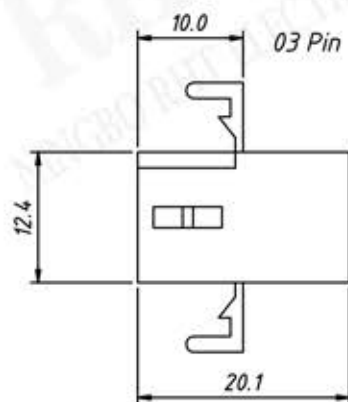
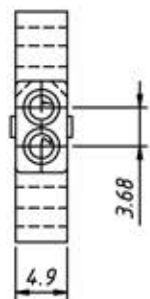
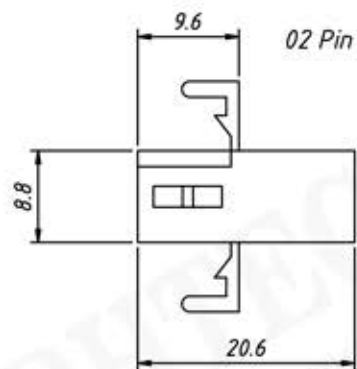


**Material:**  
Housing:PA66,UL94V-2

**Electrical Characteristics:**  
Rated Current:5.0AMP  
Temperature range:-40°C ~ +105°C  
Insulator Resistance:1000M $\Omega$  Min  
Withstanding Voltage:1500V AC/minute

**Order Information:**  
RE - C - 3.68 - 3×XX - FH

Pitch:3.68mm  
Row: \_\_\_\_\_  
1-Single layer  
2-Double layer  
3-Three layer  
03,04,05 pins \_\_\_\_\_  
Type: \_\_\_\_\_  
FH / RFH-Female Hosing  
MH / RMH-Male Hosing  
FT-Female Terminal  
MT-Male Terminal

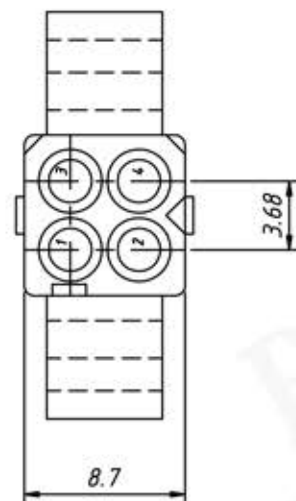
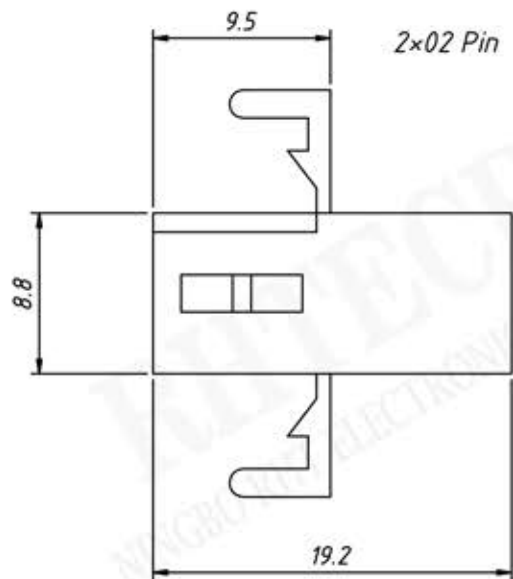


**Material:**  
Housing: PA66, UL 94V-2

**Electrical Characteristics:**  
Voltage Rating: 250V AC/DC  
Rated Current: 5.0A AC/DC  
Temperature range: -40°C ~ +105°C  
Insulator Resistance: 1000M $\Omega$  Min  
Withstanding Voltage: 1500V AC/minute  
Contact Resistance: 20m $\Omega$  max.

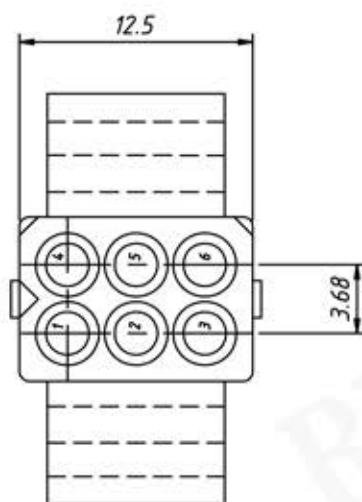
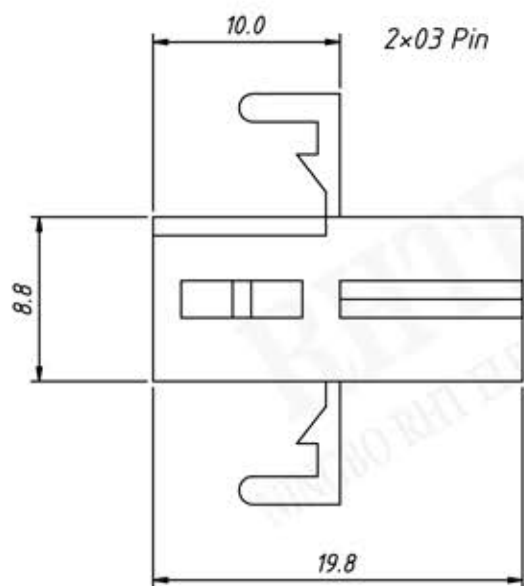
**Order Information:**  
RE - C - 3.68 - 1 $\times$ XX - RFH

Pitch: 3.68mm  
Row:  
1-Single layer  
2-Double layer  
3-Three layer  
XX-No. of 02~05pins  
Type:  
FH / RFH-Female Hosing  
MH / RMH-Male Hosing  
FT-Female Terminal  
MT-Male Terminal



**Material:**  
Housing: PA66, UL 94V-2

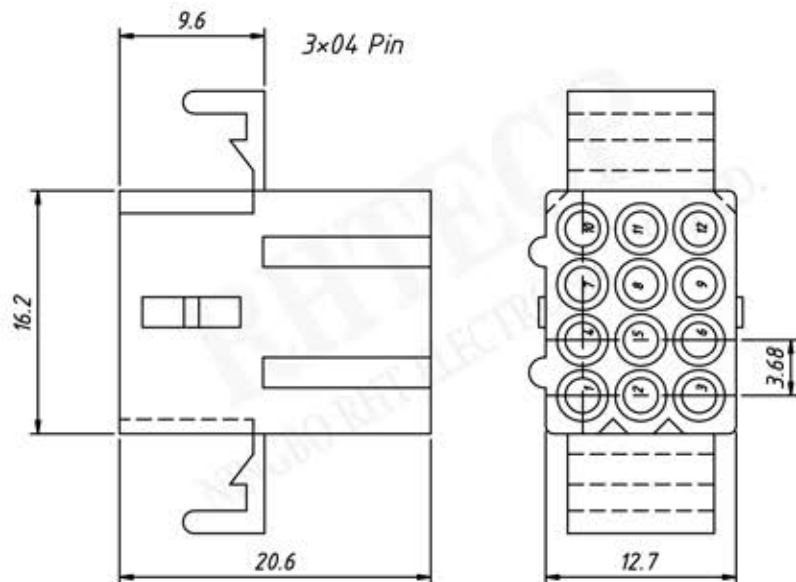
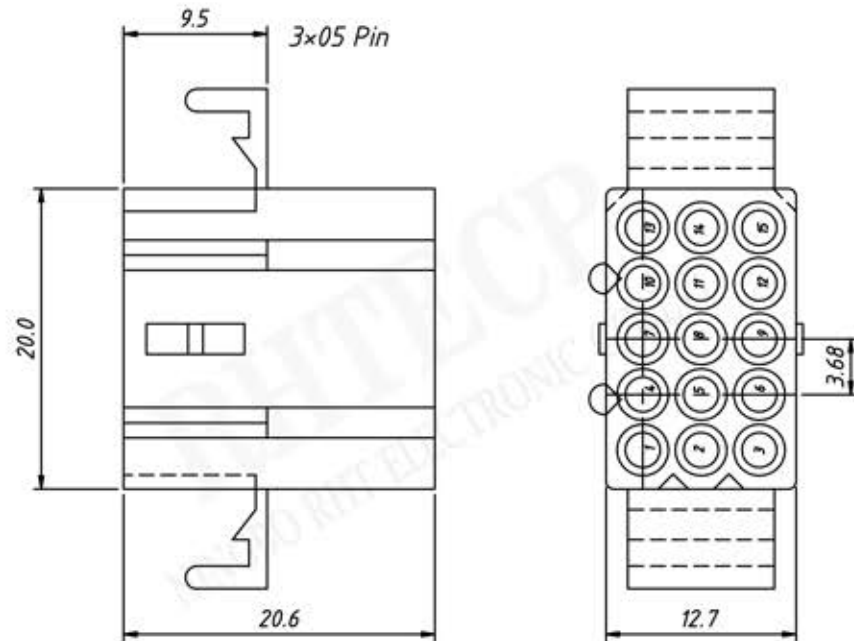
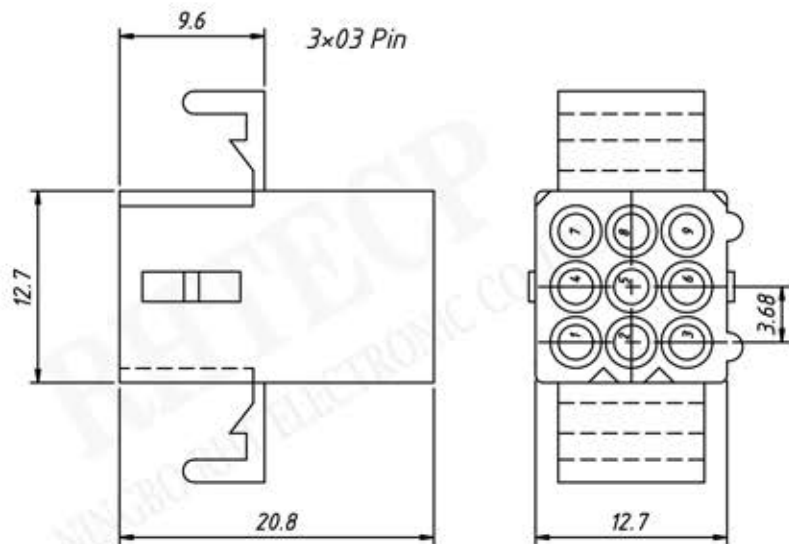
**Electrical Characteristics:**  
Voltage Rating: 250V AC/DC  
Rated Current: 5.0A AC/DC  
Temperature range: -40°C ~ +105°C  
Insulator Resistance: 1000M $\Omega$  Min  
Withstanding Voltage: 1500V AC/minute  
Contact Resistance: 20m $\Omega$  max.



**Order Information:**  
RE - C - 3.68 - 2xXX - RFH

Pitch: 3.68mm  
Row: \_\_\_\_\_  
1-Single layer  
2-Double layer  
3-Three layer  
02,03 pins \_\_\_\_\_  
Type: \_\_\_\_\_  
FH / RFH-Female Hosing  
MH / RMH-Male Hosing  
FT-Female Terminal  
MT-Male Terminal



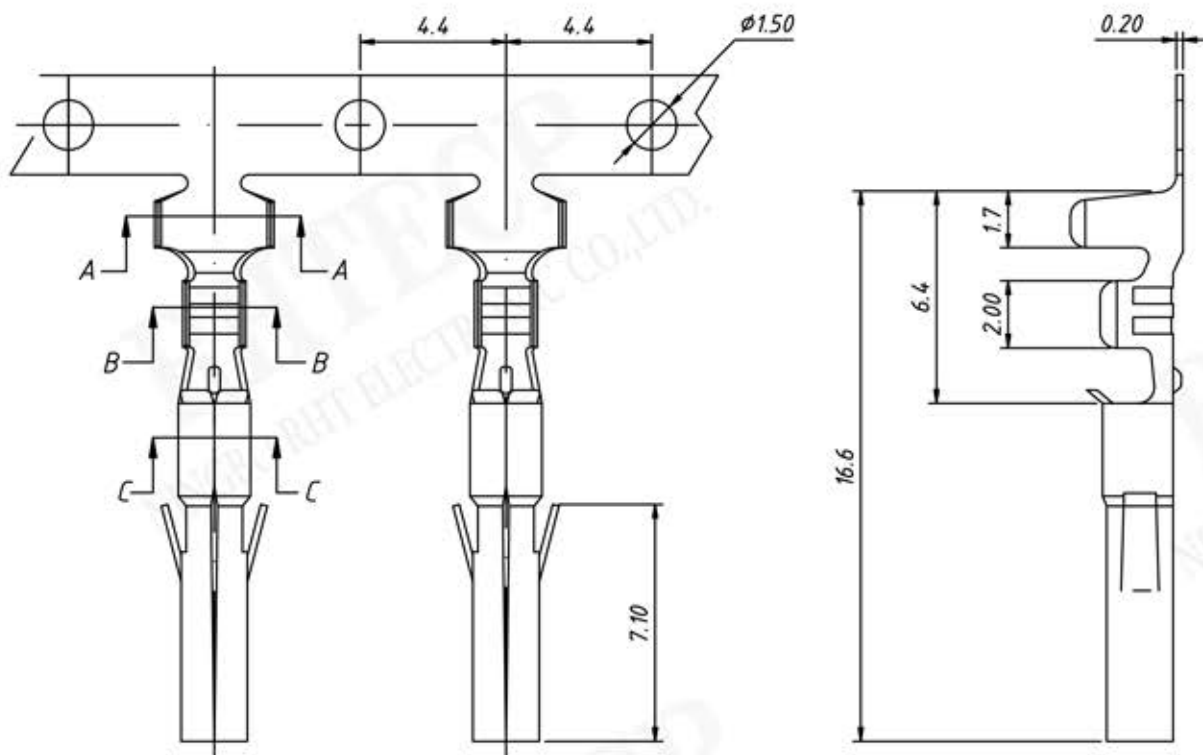


**Material:**  
Housing: PA66, UL 94V-2

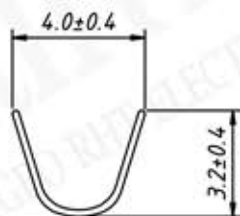
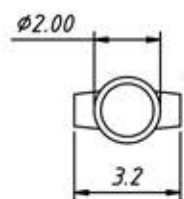
**Electrical Characteristics:**  
Voltage Rating: 250V AC/DC  
Rated Current: 5.0A AC/DC  
Temperature range: -40°C ~ +105°C  
Insulator Resistance: 1000M $\Omega$  Min  
Withstanding Voltage: 1500V AC/minute  
Contact Resistance: 20m $\Omega$  max.

**Order Information:**  
RE - C - 3.68 - 3xXX - RFH

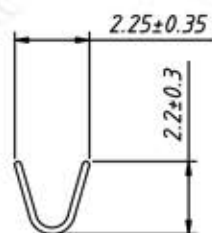
Pitch: 3.68mm  
Row:  
1 - Single layer  
2 - Double layer  
3 - Three layer  
03, 04, 05 pins  
Type:  
FH / RFH - Female Hosing    MH / RMH - Male Hosi  
FT - Female Terminal    MT - Male Terminal



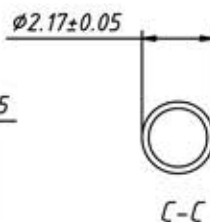
Material:  
 Terminal: Brass  
 Plating: Tin plated  
 Applicable wires: AWG #24 ~ #18  
 Thickness: 0.2mm  
 Qty/reel: 7000 pcs  
 Electrical Characteristics:  
 Voltage Rating: 250V AC/DC  
 Rated Current: 6.0A AC/DC  
 Temperature range: -25°C ~ +105°C  
 Insulator Resistance: 1000M $\Omega$  Min  
 Withstanding Voltage: 1500V AC/minute  
 Contact Resistance: 20m $\Omega$  max.



A-A



B-B



C-C

Order Information:

RE - C - 3.68 - FT

Pitch: 3.68mm

Type:

FT - Female Terminal

MT - Male Terminal

