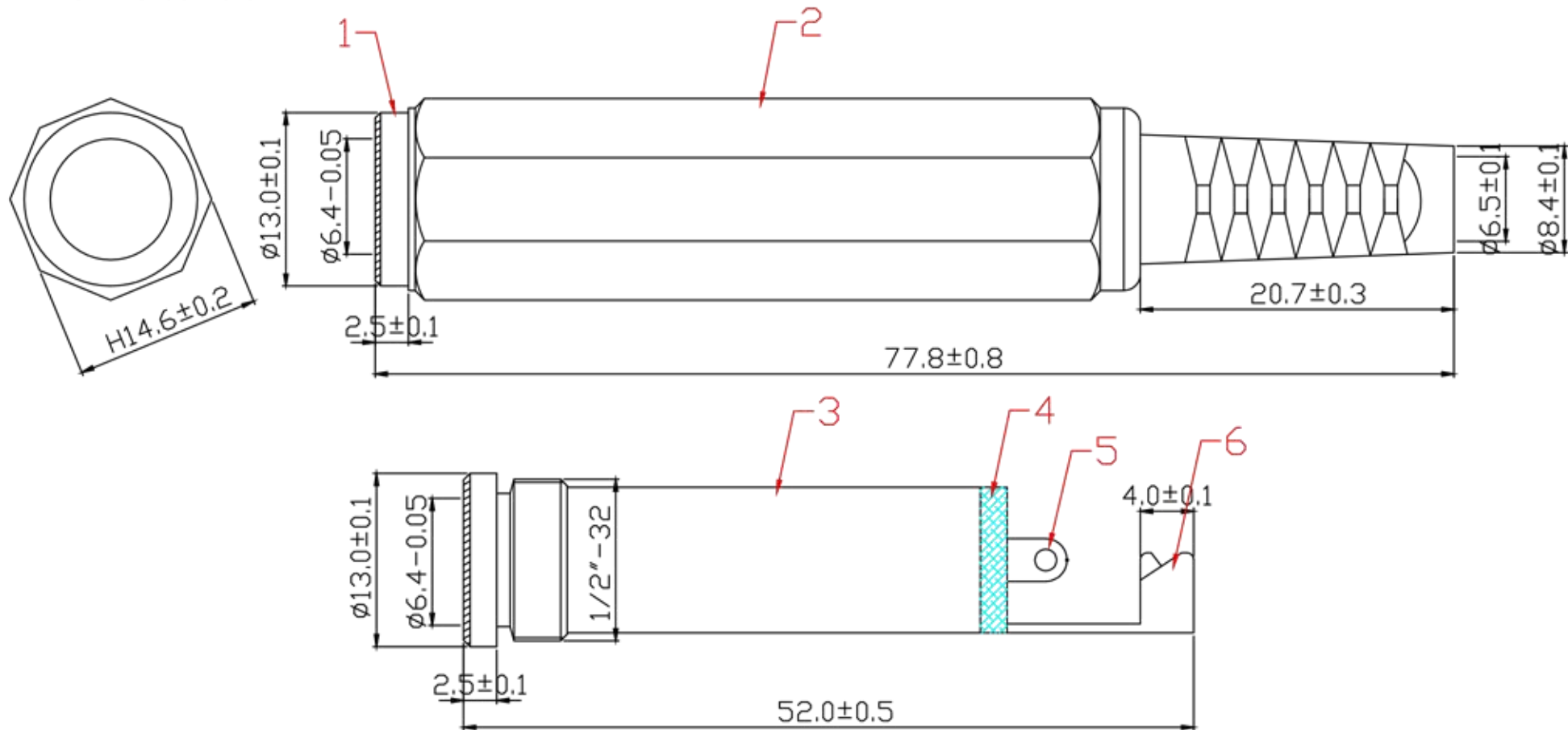




P/N:RE-C-PLS-001-6.3-P-B-TW



6	CRIMPING PATCH	BRASS
5	SOLDERING PATCH	BRASS
4	DIELECTRIC	ABS
3	Aluminium TUBE	AL
2	PLASTIC HANDLE	PE
1	BODY	BRASS
ITEM	DESIGNATION	MATERIAL

 NINGBO RHT ELECTRONIC CO.,LTD	UNITS:mm		SHEET SIZE:A4		SCALE:---		 First angle projection
	> 0~3	> 3~18	> 18~50	> 50~120			
	± 0.12	± 0.15	± 0.3	± 0.5	CONNECTOR		