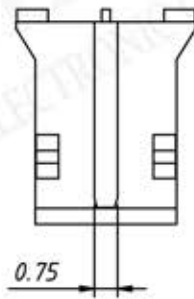
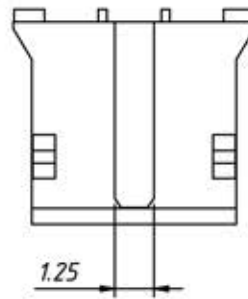


4~NP



2P



3P

Circuit	Dimensions(mm)	
	A	B
02	2.00	5.75
03	4.00	7.75
04	6.00	9.75
05	8.00	11.75
06	10.00	13.75
07	12.00	15.75
08	14.00	17.75
09	16.00	19.75
10	18.00	21.75
11	20.00	23.75
12	22.00	25.75
13	24.00	27.75
14	26.00	29.75
15	28.00	31.75
16	30.00	33.75

Material:

Housing:PA66(UL94V-0),White

Electrical Characteristics:

1.Poles: 2 to 20P

2.Current rating: 2.0A

3.Voltage rating: 100V

4.Temperature range: -25°C to +85°C

5.Contact resistance:  $\leq 10m\Omega$

6.Insulation resistance:  $\geq 1000M\Omega$

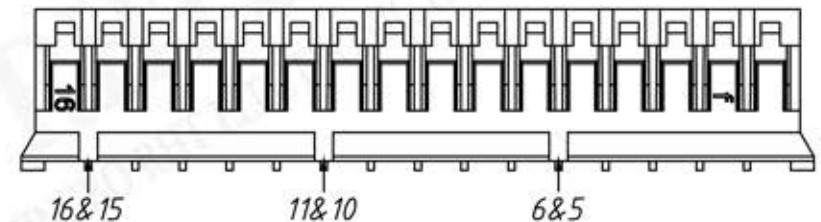
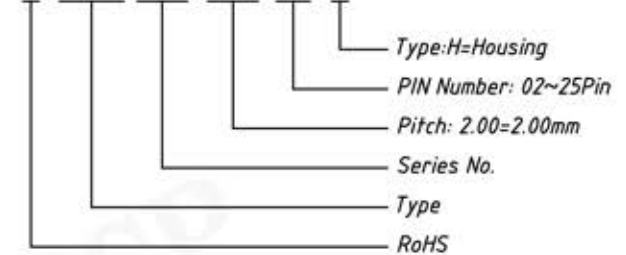
7.Withstand voltage: 800V AC/minute

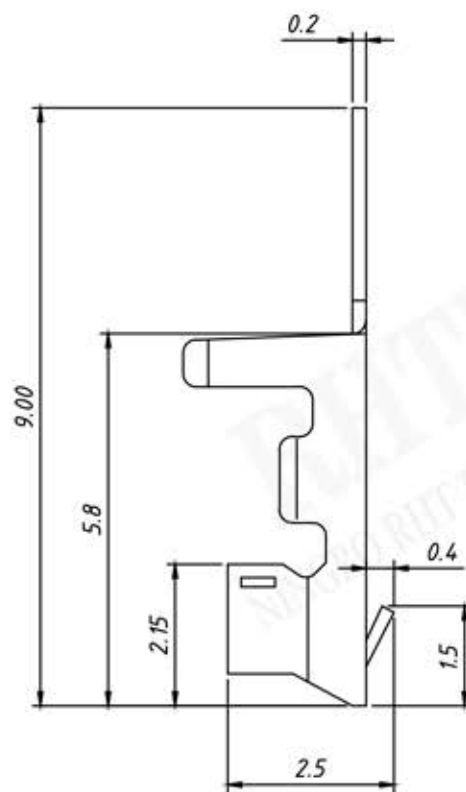
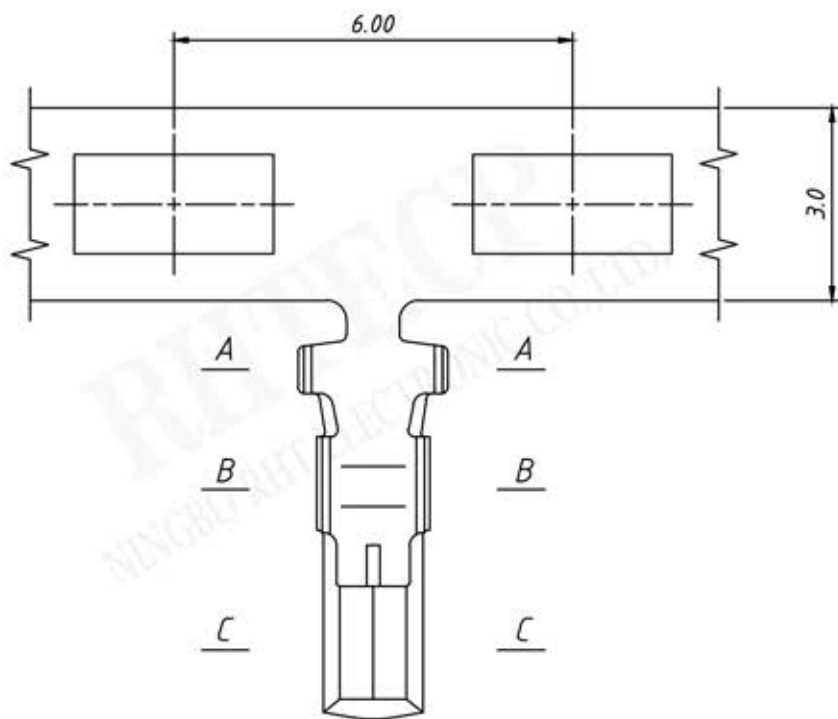
8.Applicable wire: AWG #30 to #24

9.Applicable PC board thickness: 0.8~.6mm

Order Information

RE - C - XL1 - 2.00 - XX - H





**Material:**

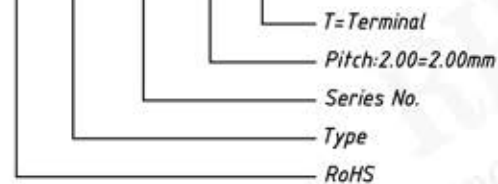
Terminal: Phos Bronze, Tin plating,  
10000PCB/Roll

**Electrical Characteristics:**

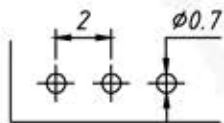
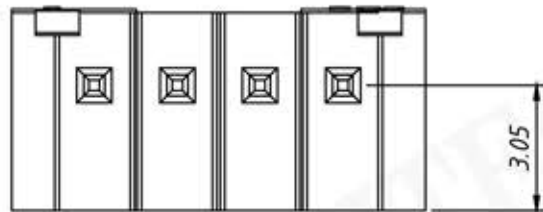
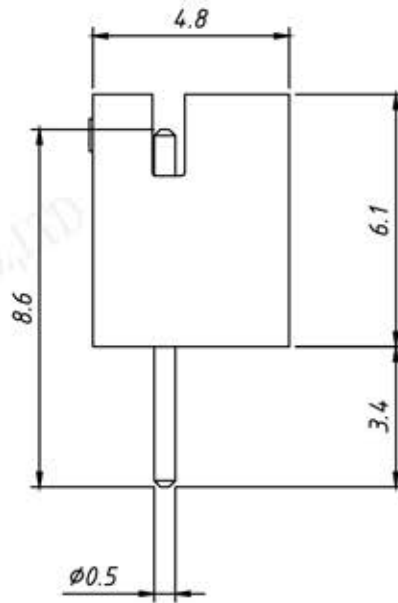
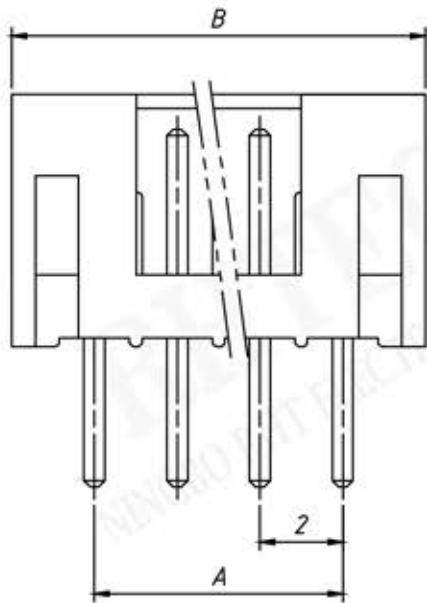
- 1.Poles: 2 to 20P
- 2.Current rating: 2.0A
- 3.Voltage rating: 250V
- 4.Temperature range: -25°C to +85°C
- 5.Contact resistance:  $\leq 20m\Omega$
- 6.Insulation resistance:  $\geq 500M\Omega$
- 7.Withstand voltage: 800V AC/minute
- 8.Applicable wire: AWG #30 to #24
- 9.Applicable PC board thickness: 1.6mm

**Order Information**

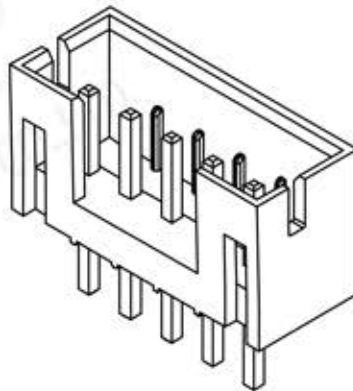
RE - C - XL1 - 2.00 - T



Range	>0~3	>3~18	>18~50	>50~120
Tolerance	$\pm 0.12$	$\pm 0.15$	$\pm 0.3$	$\pm 0.5$



PCB LAYOUT



Circuit	Dimensions(mm)	
	A	B
02	2.00	6.00
03	4.00	8.00
04	6.00	10.00
05	8.00	12.00
06	10.00	14.00
07	12.00	16.00
08	14.00	18.00
09	16.00	20.00
10	18.00	22.00
11	20.00	24.00
12	22.00	26.00
13	24.00	28.00
14	26.00	30.00
15	28.00	32.00
16	30.00	34.00
17	32.00	36.00
18	34.00	38.00
19	36.00	40.00
20	38.00	42.00

**Material:**

Housing:PA66(UL94V-0),White

Contacts:Brass Tin

**Electrical Characteristics:**

1.Poles: 2 to 20P

2.Current rating: 2.0A

3.Voltage rating: 100V

4.Temperature range: -25℃ to +85℃

5.Contact resistance: ≤10mΩ

6.Insulation resistance: ≥1000MΩ

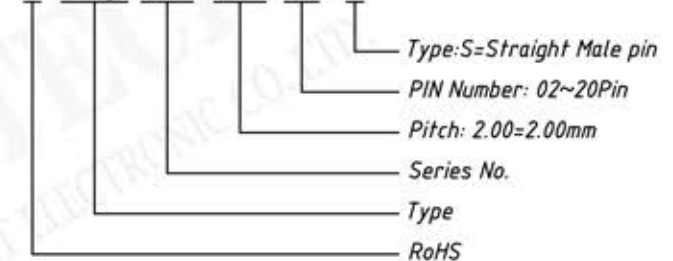
7.Withstand voltage: 800V AC/minute

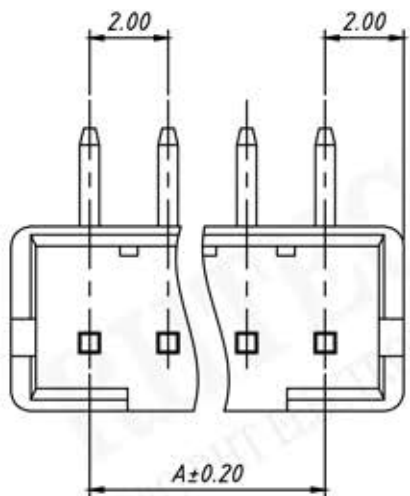
8.Applicable wire: AWG #30 to #24

9.Applicable PC board thickness: 0.8~1.6mm

**Order Information**

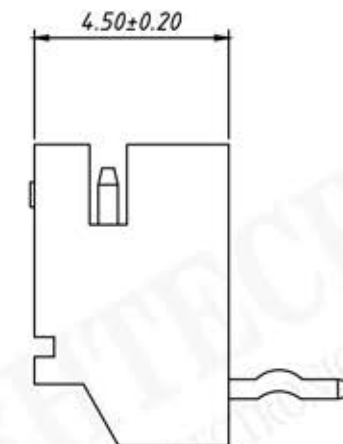
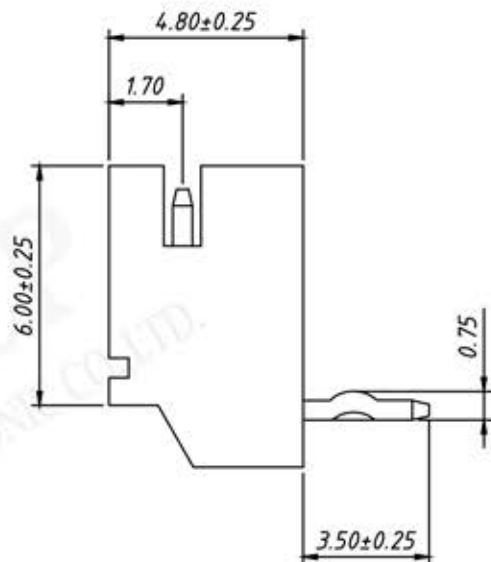
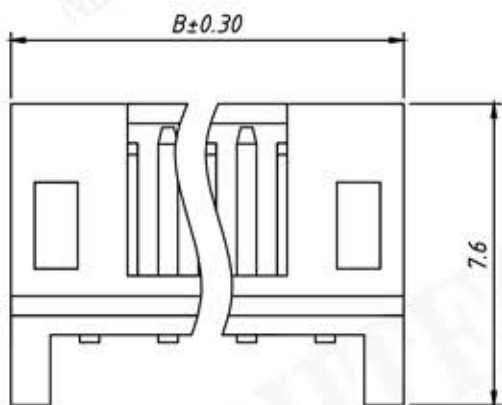
RE - C - XL1 - 2.00 - XX - S



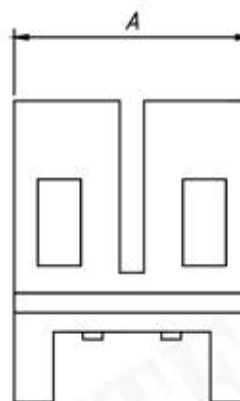


Material:  
 Housing:PA66,UL 94V-0  
 Contacts:Brass,Tin plated over Nickel

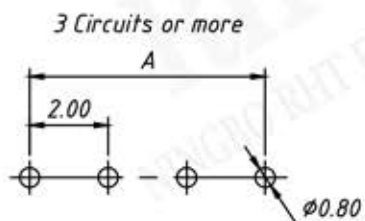
Electrical Characteristics:  
 1.Poles: 2 to 16P  
 2.Current rating: 2.0A  
 3.Voltage rating: 100V  
 4.Temperature range: -25°C to +85°C  
 5.Contact resistance:20mΩ Max.  
 6.Insulation resistance:1000MΩ Min.  
 7.Withstand voltage: 800V AC/minute



Circuit	Dimensions(mm)	
	A	B
02	2.00	6.00
03	4.00	8.00
04	6.00	10.00
05	8.00	12.00
06	10.00	14.00
07	12.00	16.00
08	14.00	18.00
09	16.00	20.00
10	18.00	22.00
11	20.00	24.00
12	22.00	26.00
13	24.00	28.00
14	26.00	30.00
15	28.00	32.00
16	30.00	34.00



2 Circuits



PCB LAYOUT

Order Information

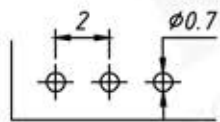
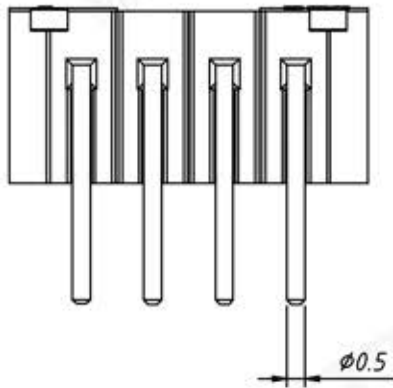
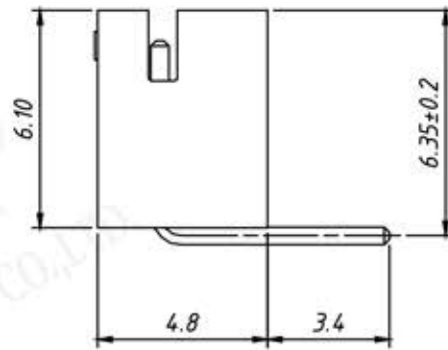
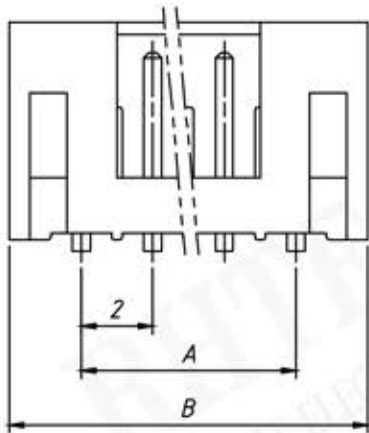
RE - C - XL1-2.00-XX-R

L: RoHS

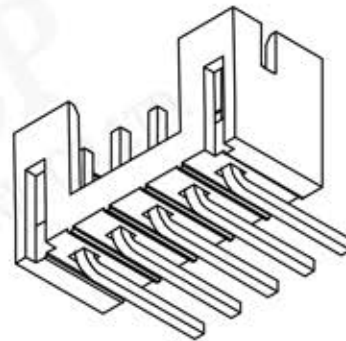
Pitch:2.00=2.00mm

PIN Number:02~16Pin

Type:R=Right Male pin



PCB LAYOUT



Circuit	Dimensions(mm)	
	A	B
02	2.00	6.00
03	4.00	8.00
04	6.00	10.00
05	8.00	12.00
06	10.00	14.00
07	12.00	16.00
08	14.00	18.00
09	16.00	20.00
10	18.00	22.00
11	20.00	24.00
12	22.00	26.00
13	24.00	28.00
14	26.00	30.00
15	28.00	32.00
16	30.00	34.00
17	32.00	36.00
18	34.00	38.00
19	36.00	40.00
20	38.00	42.00

Material:

Housing:PA66(UL 94V-0),White

Contacts:Brass Tin

Electrical Characteristics:

1.Poles: 2 to 20P

2.Current rating: 2.0A

3.Voltage rating: 100V

4.Temperature range: -25℃ to +85℃

5.Contact resistance: ≤10mΩ

6.Insulation resistance: ≥1000MΩ

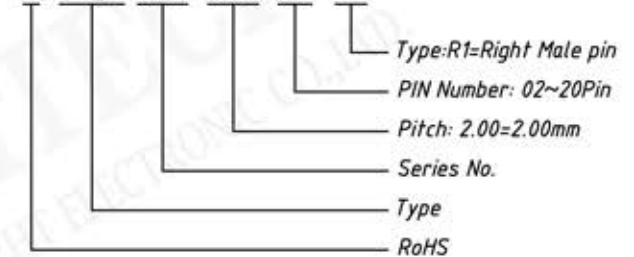
7.Withstand voltage: 800V AC/minute

8.Applicable wire: AWG #30 to #24

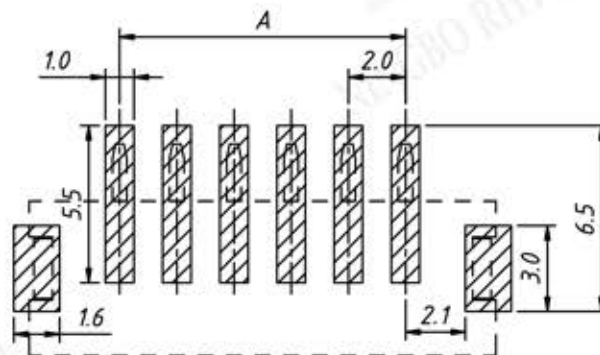
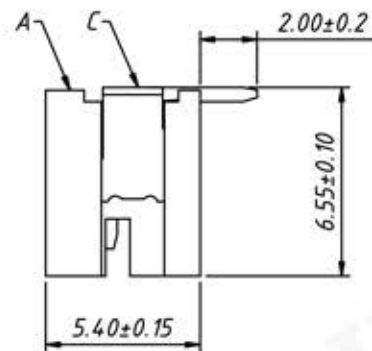
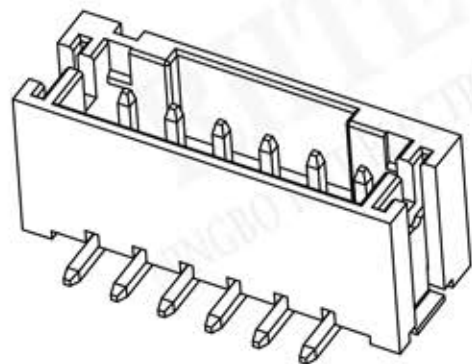
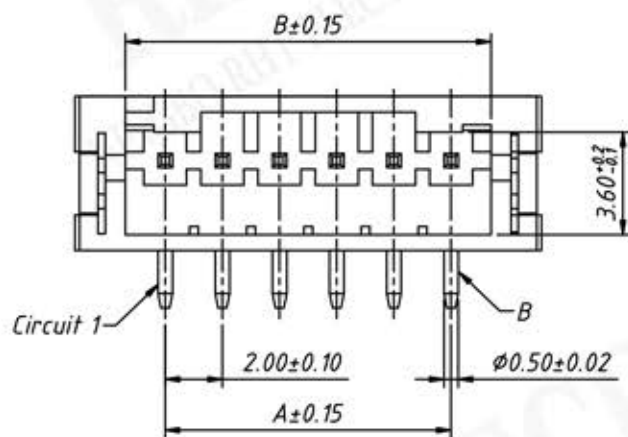
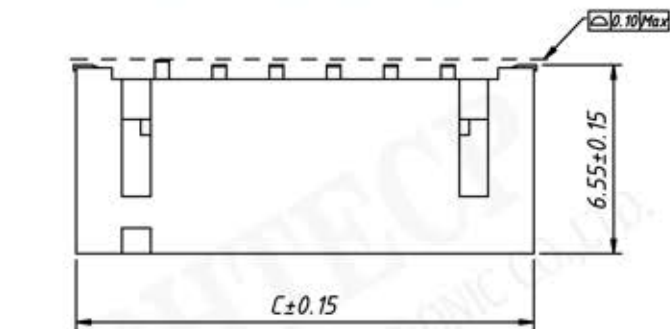
9.Applicable PC board thickness: 0.8~1.6mm

Order Information

RE - C - XL1-2.00-XX-R1



P/N:RE-C-XL1-2.00-XX-VM



Suggested PCB Layout

Material:

Insulator:LCP UL94V-0,Beige

Contacts:Brass,Tin Plated

Solder Tab:Phosphor Bronze,Tin Plated

Electrical Specification:

Poles: 02 to 16

Contact resistance:≤20mΩ

Insulation resistance:≥1000MΩ

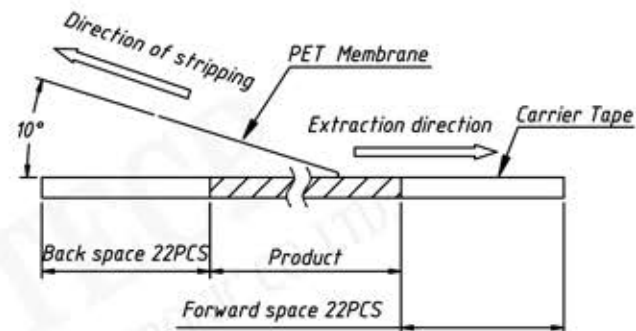
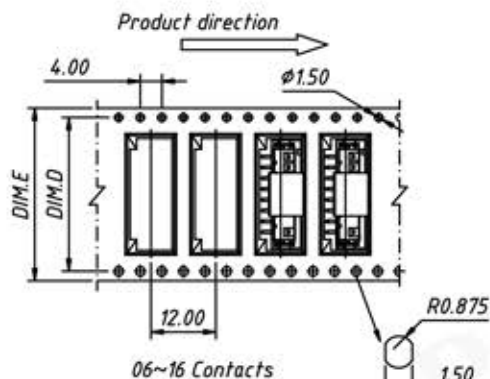
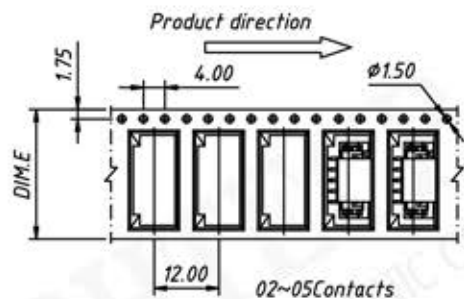
Rated voltage:250V AC DC

Rated current:2.0A AC DC

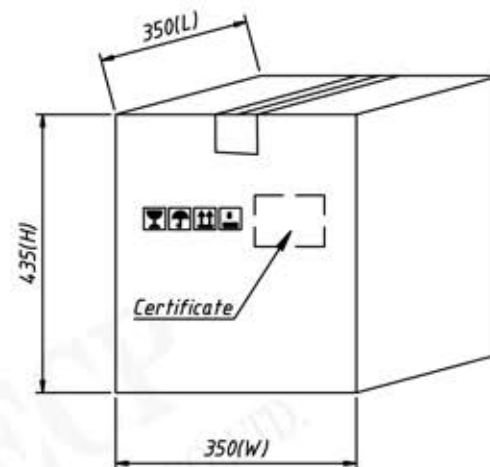
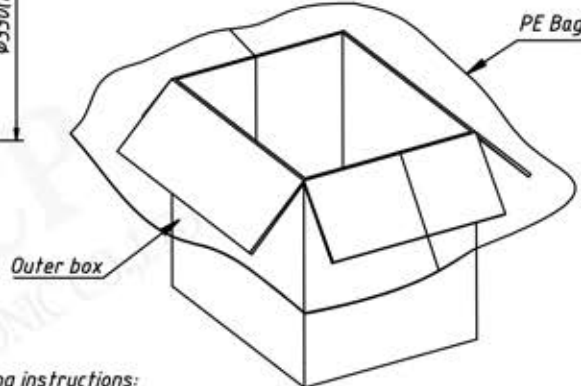
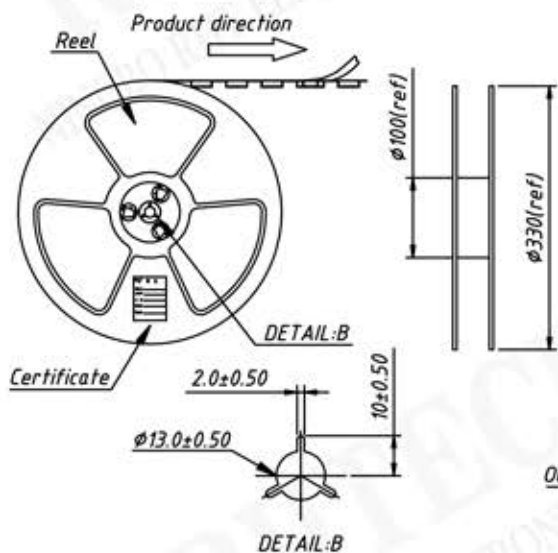
Withstand Voltage:1000V AC/minute

Temperature Range:-25℃~ +105℃

Circuit	Dimensions(mm)		
	A	B	C
02	2.00	4.80	8.00
03	4.00	6.80	10.00
04	6.00	8.80	12.00
05	8.00	10.80	14.00
06	10.00	12.80	16.00
07	12.00	14.80	18.00
08	14.00	16.80	20.00
09	16.00	18.80	22.00
10	18.00	20.80	24.00
11	20.00	22.80	26.00
12	22.00	24.80	28.00
13	24.00	26.80	30.00
14	26.00	28.80	32.00
15	28.00	30.80	34.00
16	30.00	32.80	36.00



PET Membrane Schematic diagram of stripping



**Packaging instructions:**

Pack the finished products into reels, each with 700 PCS.

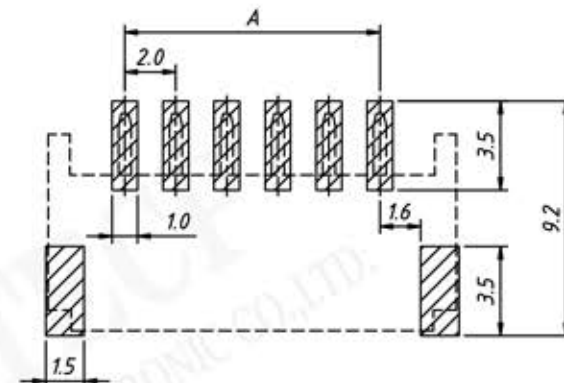
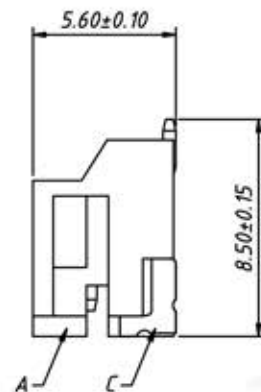
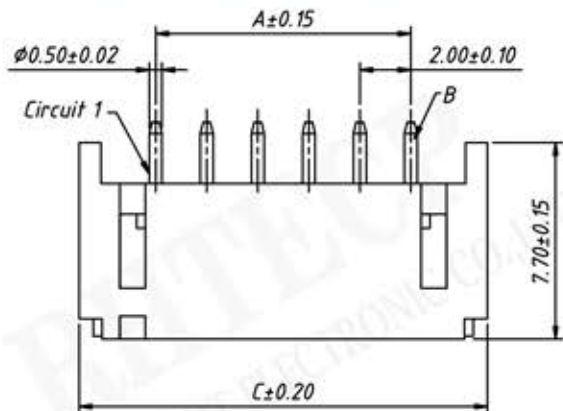
The product will be packed by pasting a certificate on the reel.

The reel is put into the outer box, and the outer box is fitted with one first.

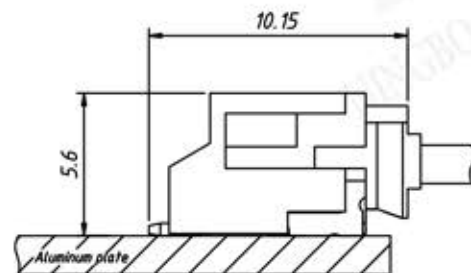
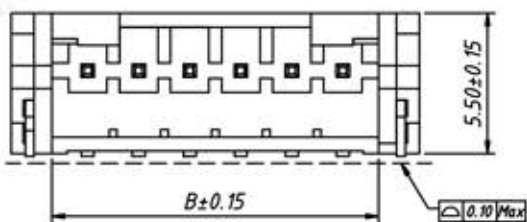
Large PE bags with qualified certificates affixed on the outer case.

Circuits	DIM.D	DIM.E	Q'ty/Reel	Packing Reel/Carton
02 PIN	--	16	700 PCS	20/Reel
03-05 PIN	--	24	700 PCS	15/Reel
06-08 PIN	28.4	32	700 PCS	11/Reel
09-14 PIN	40.4	44	700 PCS	8/Reel
15 PIN	52.4	56	700 PCS	6/Reel

P/N:RE-C-XL1-2.00-XX-VM



Suggested PCB Layout



Assembly Layout

Circuit	Dimensions(mm)		
	A	B	C
02	2.00	4.75	8.00
03	4.00	6.75	10.00
04	6.00	8.75	12.00
05	8.00	10.75	14.00
06	10.00	12.75	16.00
07	12.00	14.75	18.00
08	14.00	16.75	20.00
09	16.00	18.75	22.00
10	18.00	20.75	24.00
11	20.00	22.75	26.00
12	22.00	24.75	28.00
13	24.00	26.75	30.00
14	26.00	28.75	32.00
15	28.00	30.75	34.00
16	30.00	32.70	36.00

Material:

Insulator:LCP UL94V-0,Beige

Contacts:Brass,Tin Plated

Solder Tab:Brass,Tin Plated

Electrical Specification:

Poles: 02 to 16

Contact resistance: $\leq 20m\Omega$

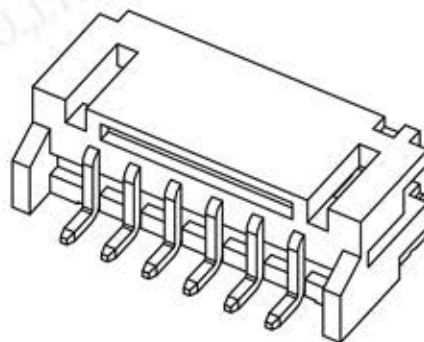
Insulation resistance: $\geq 1000M\Omega$

Rated voltage:250V AC DC

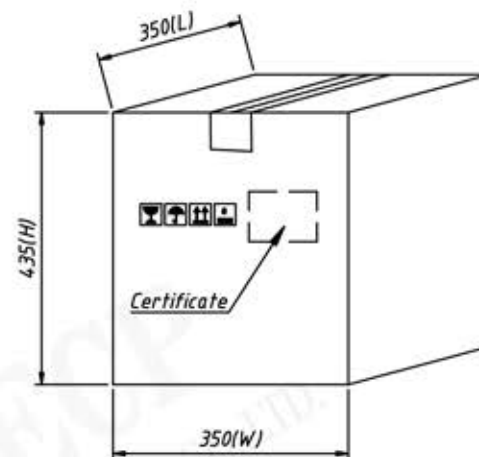
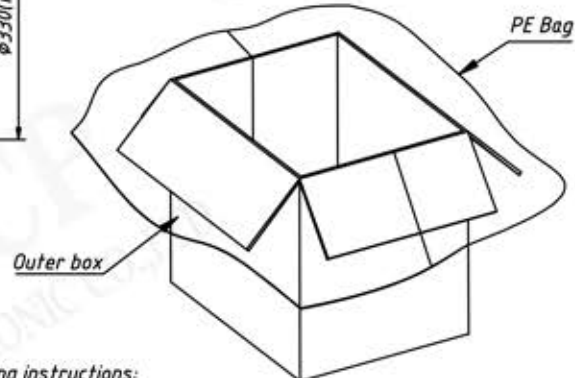
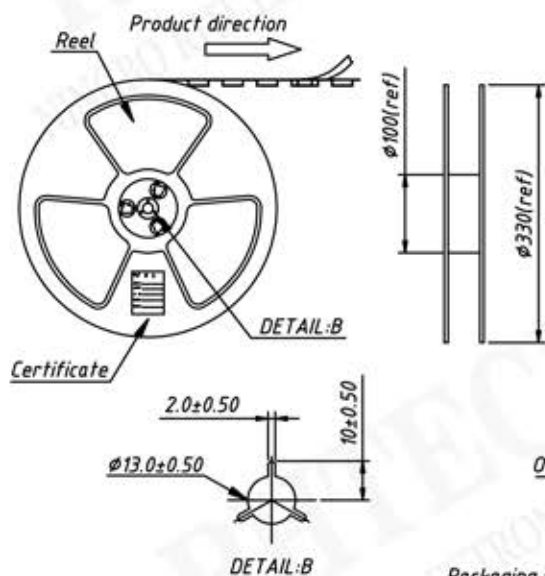
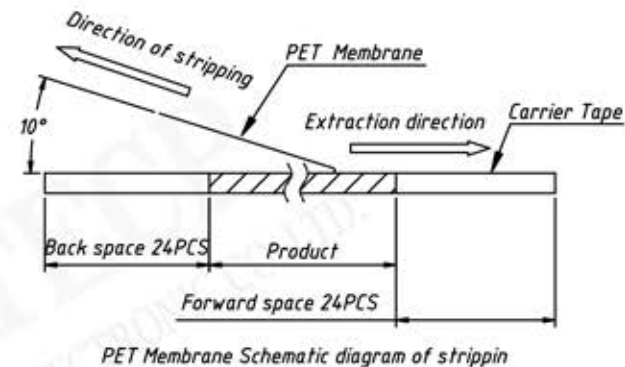
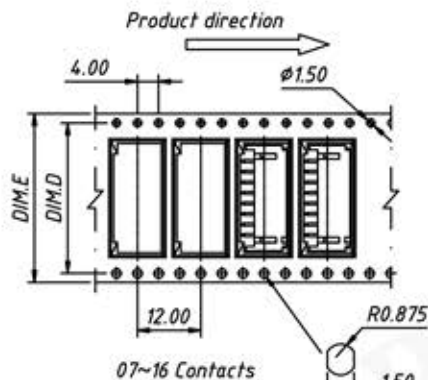
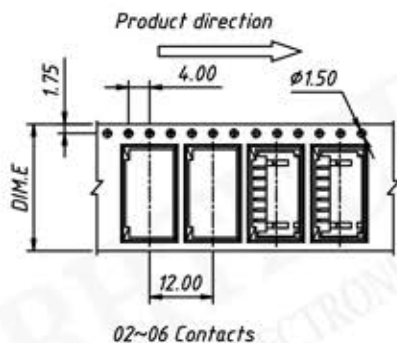
Rated current:2.0A AC DC

Withstand Voltage:1000V AC/minute

Temperature Range:-25℃~ +105℃







**Packaging instructions:**

Pack the finished products into reels, each with 1000 PCS.

The product will be packed by pasting a certificate on the reel.

The reel is put into the outer box, and the outer box is fitted with one first.

Large PE bags with qualified certificates affixed on the outer case.

Circuits	DIM.D	DIM.E	Q'ty/Reel	Packing Reel/Carton
02-03 PIN	--	16	1000 PCS	20/Reel
04-06 PIN	--	24	1000 PCS	15/Reel
07-08 PIN	28.4	32	1000 PCS	11/Reel
09-14 PIN	40.4	44	1000 PCS	8/Reel
15-16 PIN	52.4	56	1000 PCS	6/Reel