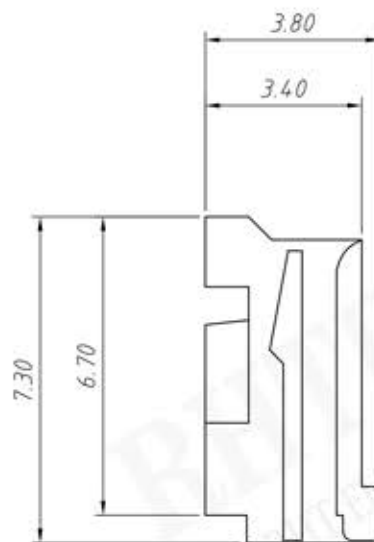
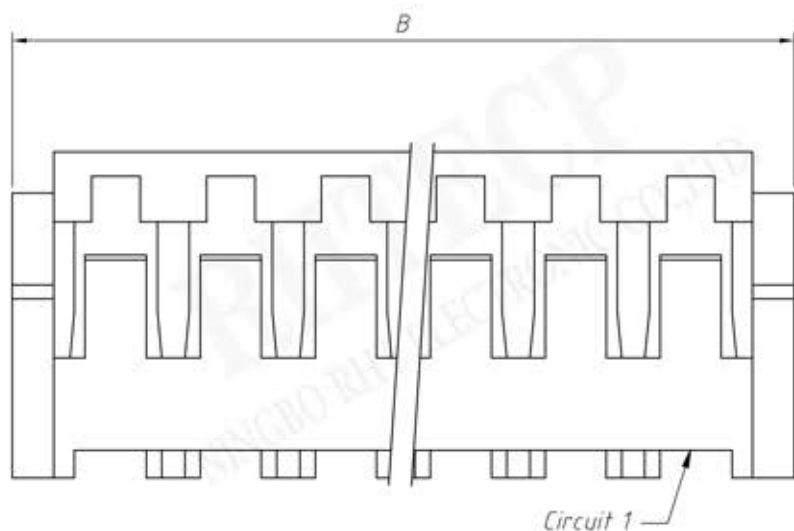


Material:
Housing:PA66,UL94V-0,White

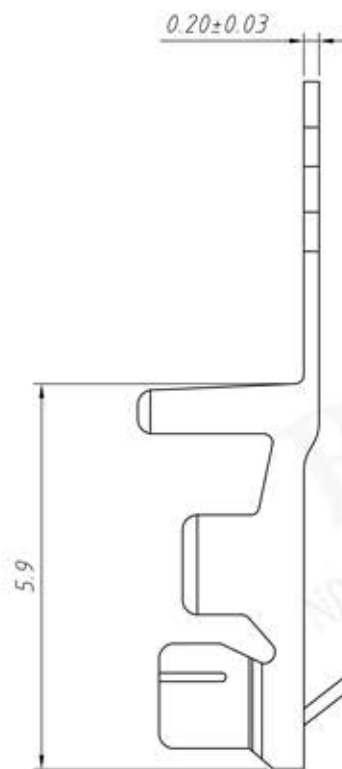
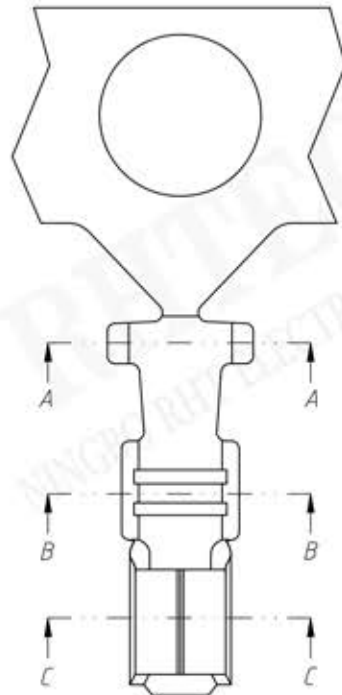
Electrical Characteristics:
Rated Current:3.0AMP
Voltage rating:250V AC,DC
Temperature range:-25°C ~ +85°C
Insulator Resistance:1000M Ω Min
Withstanding Voltage:800V AC/minute
Contact Resistance:10m Ω Max

Pin	Dimensions(mm)	
	A	B
02	2.50	7.00
03	5.00	9.50
04	7.50	12.00
05	10.00	14.50
06	12.50	17.00
07	15.00	19.50
08	17.50	22.00
09	20.00	24.50
10	22.50	27.00
11	25.00	29.50
12	27.50	32.00
13	30.00	34.50
14	32.50	37.00
15	35.00	39.50



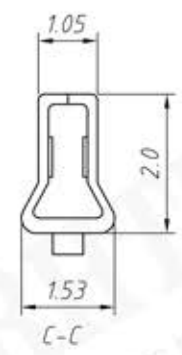
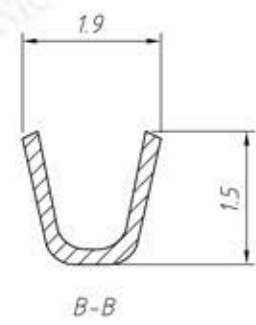
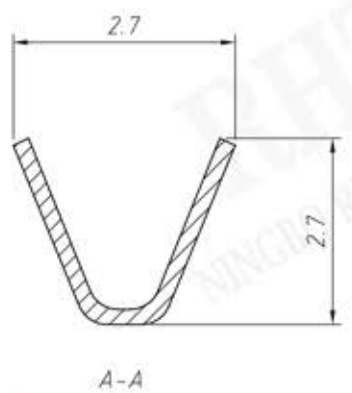
Order Information:
RE - C-XL5-2.50-XX-H

L: RoHS
Pitch:2.50mm
XX-No. of 02 ~ 15 pins
Type: _____
T-Terminal H-Hosing
S-Straight male pin
R / R1-Right angle male pin



Material:
 Terminal: Phosphor Bronze
 Plating: Tin plated
 Applicable wires: AWG #22 ~ # 24
 Insulation O.D.: 1.9mm
 Qty/reel: 10000 pcs

Electrical Characteristics:
 Rated Current: 3.0AMP
 Voltage rating: 250V AC,DC
 Temperature range: -25°C ~ + 85°C
 Insulator Resistance: 1000MΩ Min
 Withstanding Voltage: 800V AC/minute
 Contact Resistance: 20mΩ Max

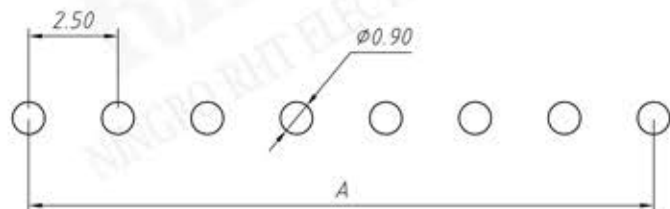
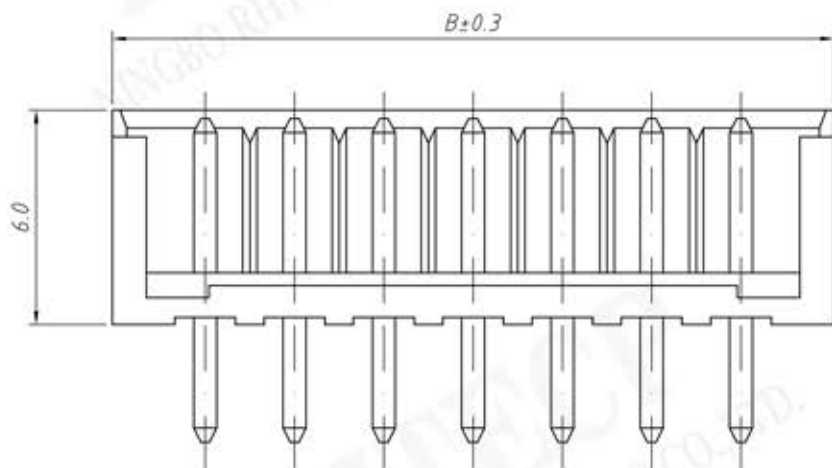
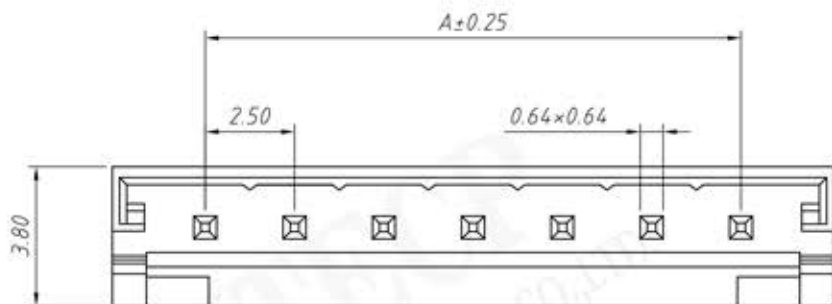


Order Information:
RE - C - XL5 - 2.50 - T

L: RoHS
 Pitch: 2.50mm
 Type:

T-Terminal H-Hosing
 S-Straight male pin
 R / R1-Right angle male pin

UNITS:mm		SHEET SIZE:A4		SCALE: ---	
> 0 ~ 3	> 3 ~ 18	> 18 ~ 50	> 50 ~ 120		
0.12	0.15	0.3	0.5		

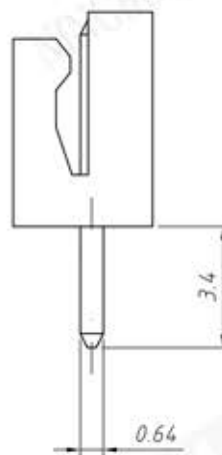


Recommended PCB Layout

Material:
Housing:PA66,UL 94V-0,White
Contact:Brass
Plating:Tin plate

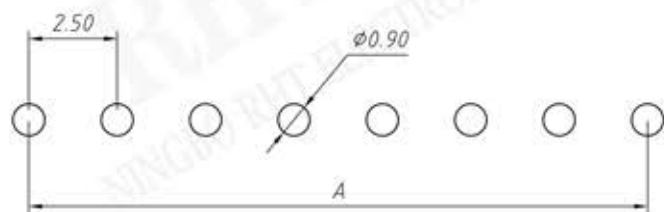
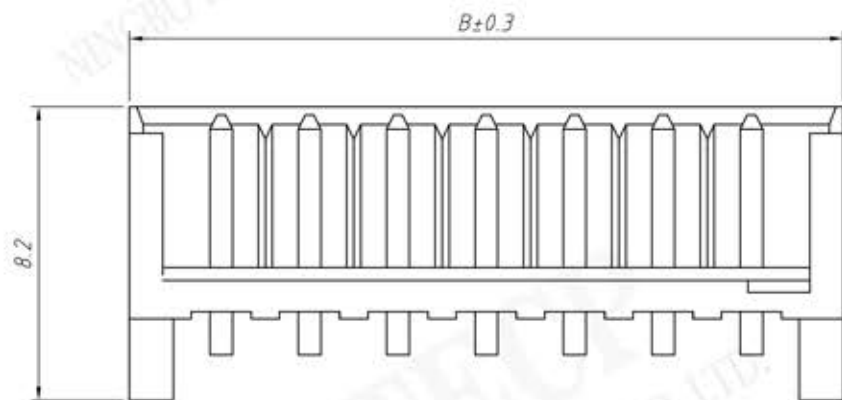
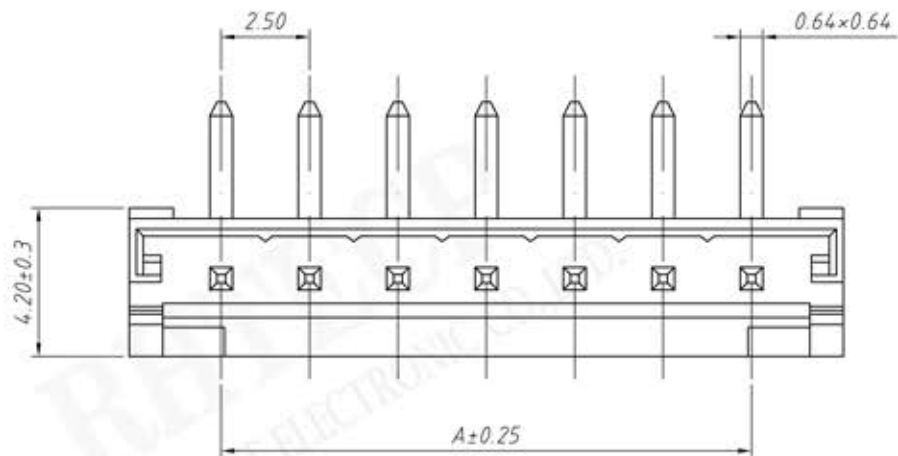
Electrical Characteristics:
Rated Current:3.0AMP
Voltage rating:250V AC,DC
Temperature range:-25°C ~ + 85°C
Insulator Resistance:1000MΩ Min
Withstanding Voltage:800V AC/minute
Contact Resistance:20mΩ Max

Pin	Dimensions(mm)	
	A	B
02	2.50	7.50
03	5.00	10.00
04	7.50	12.50
05	10.00	15.00
06	12.50	17.50
07	15.00	20.00
08	17.50	22.50
09	20.00	25.00
10	22.50	27.50
11	25.00	30.00
12	27.50	32.50
13	30.00	35.00
14	32.50	37.50
15	35.00	40.00
16	37.50	42.50



Order Information:
RE - C - XL5 - 2.50 - XX - S

L: RoHS
Pitch:2.50mm
XX-No.of 02 ~ 16 pins
Type: _____
T-Terminal H-Hosing
S-Straight male pin
R / R1-Right angle male pin

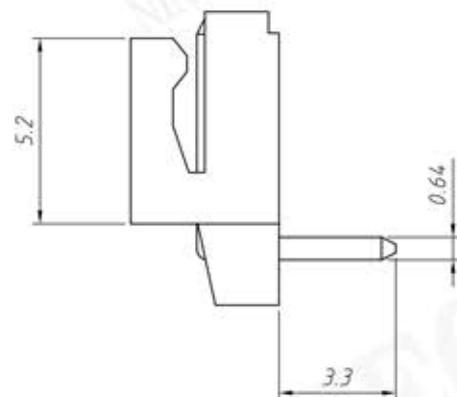


Recommended PCB Layout

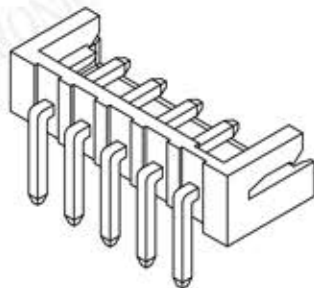
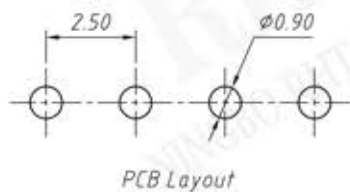
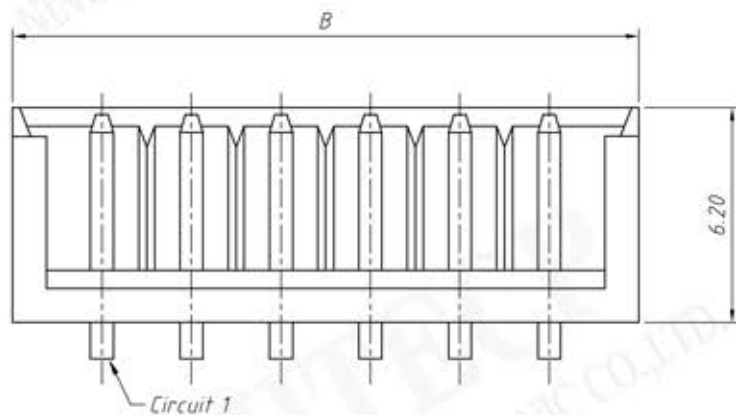
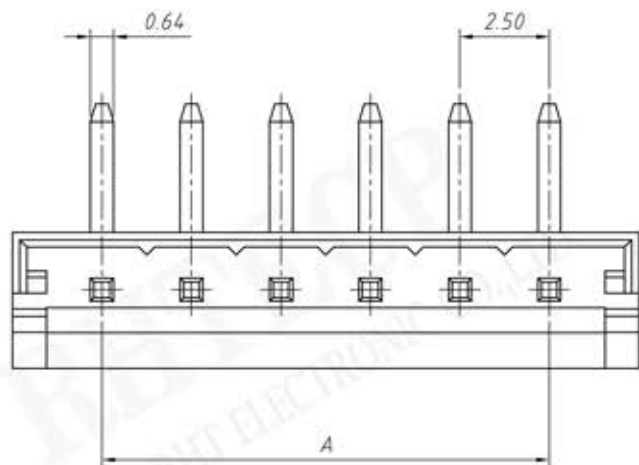
Material:
 Housing: PA66, UL 94 V-0, White
 Contact: Brass
 Plating: Tin plate

Electrical Characteristics:
 Rated Current: 3.0 AMP
 Voltage rating: 250V AC, DC
 Temperature range: -25°C ~ +85°C
 Insulator Resistance: 1000MΩ Min
 Withstanding Voltage: 800V AC/minute
 Contact Resistance: 20mΩ Max

Pin	Dimensions (mm)	
	A	B
02	2.50	7.50
03	5.00	10.00
04	7.50	12.50
05	10.00	15.00
06	12.50	17.50
07	15.00	20.00
08	17.50	22.50
09	20.00	25.00
10	22.50	27.50
11	25.00	30.00
12	27.50	32.50
13	30.00	35.00
14	32.50	37.50
15	35.00	40.00



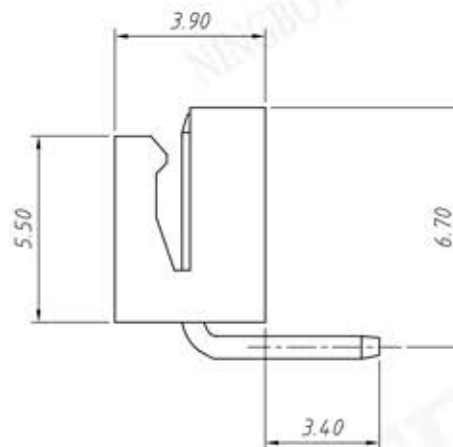
Order Information:
 RE - C-XL5-2.50-XX-R
 L: RoHS
 Pitch: 2.50mm
 XX-No. of 02 ~ 15 pins
 Type: _____
 T-Terminal H-Hosing
 S-Straight male pin
 R / R1-Right angle male pin



Material:
Housing:PA66,UL94V-0,White
Contact:Brass
Plating: Tin plate

Electrical Characteristics:
Rated Current:3.0AMP
Voltage rating:250V AC,DC
Temperature range:-25°C ~ +85°C
Insulator Resistance:1000M Ω Min
Withstanding Voltage:800V AC/minute
Contact Resistance:20m Ω Max

Pin	Dimensions(mm)	
	A	B
02	2.50	7.50
03	5.00	10.00
04	7.50	12.50
05	10.00	15.00
06	12.50	17.50
07	15.00	20.00
08	17.50	22.50
09	20.00	25.00
10	22.50	27.50
11	25.00	30.00
12	27.50	32.50
13	30.00	35.00
14	32.50	37.50
15	35.00	40.00



Order Information:
RE - C -XL5-2.50-XX-R1

L: RoHS
Pitch:2.50mm
XX-No. of 02 ~ 15 pins
Type:
T-Terminal H-Hosing
S-Straight male pin
R / R1-Right angle male pin