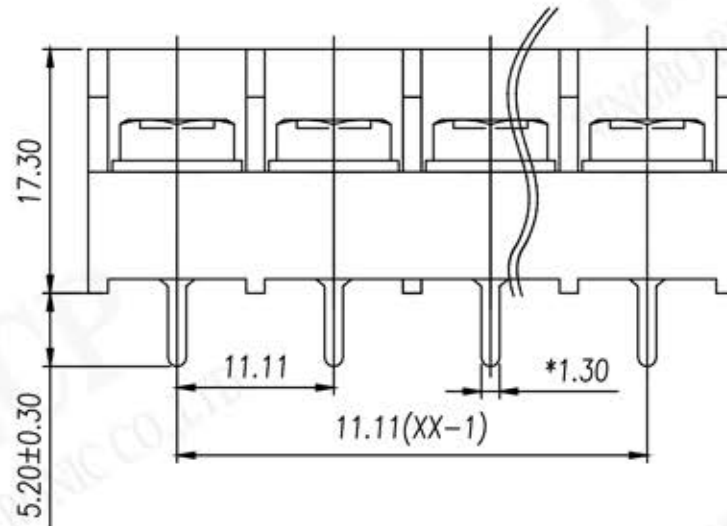
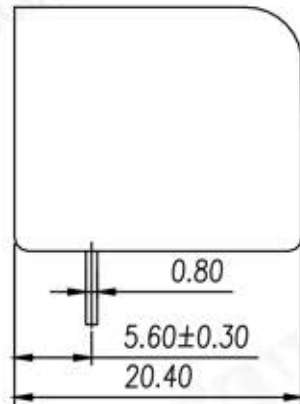
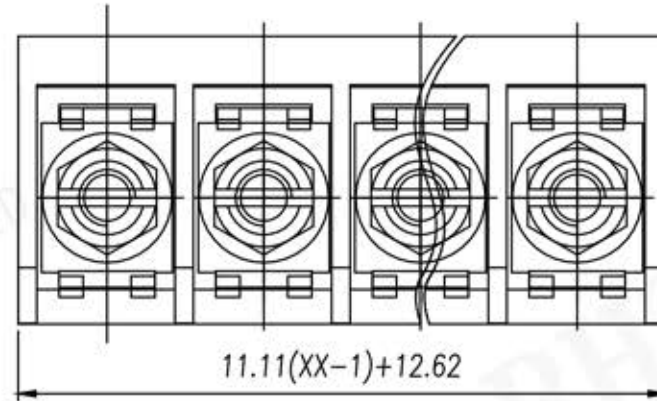
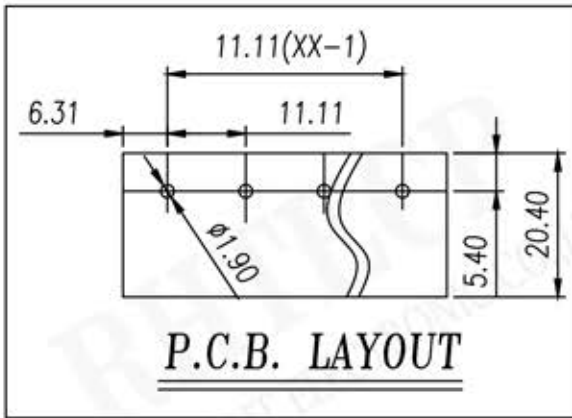


P/N:RE-C-56B-11.0-XXP-B



电气性能/Electrical

额定电压/Rated voltage	300V
额定电流/Rated current	30A
接触电阻/Contact resistance	25m
绝缘电阻/Insulation resistance	500M /DC500V
使用线径/Wire range	22~10AWG
耐电压/Wrth standing voltage	AC 1600V/1 Min

机械性能/Mechanical

扭 矩/Torque	1.2Nm(10.6Lb.in)
温度范围/Temp.Range	-40°C~+105°C
瞬时温度/MAX Soldering	+260°C, for 5 Sec

尺 寸/Dimensions

间距/Pitch	11.11mm
极 数/Poles	2~23p

材质及电镀/Material

塑 件/Housing	PA66, UL94V-0
螺 丝/Screws	M4.0 Steel Ni plated
焊 脚/Pin header	Copper alloy Sn plated

linear dimension(Tolerances Standard GB/T 14486-2008) - □ ⊥										
variable range	to 6	over 6 to 10	over 10 to 30	over 30 to 60	over 60 to 100	over 100 to 160	over 160 to 10	over 10 to 100	over 100 to	
tolerance	±0.20	±0.30	±0.50	±0.70	±1.00	±1.30	±1.60	0.10	0.30	0.60