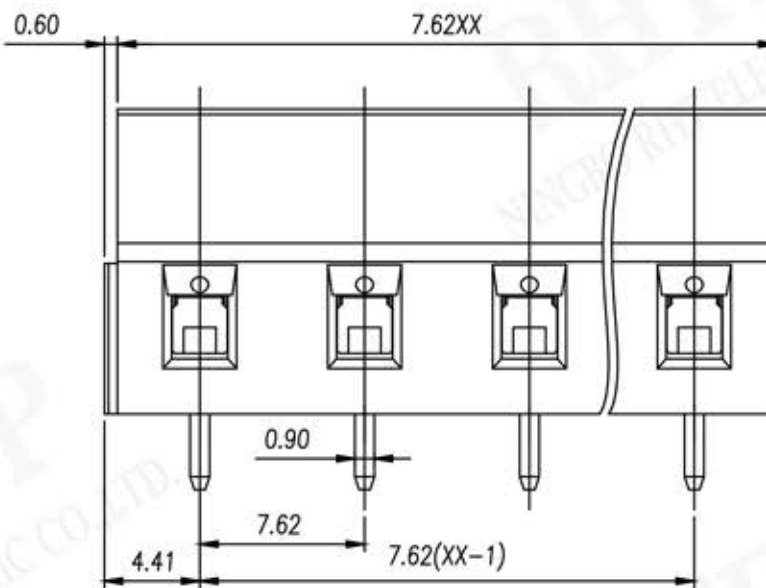
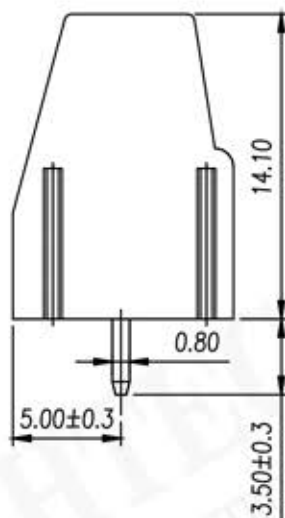
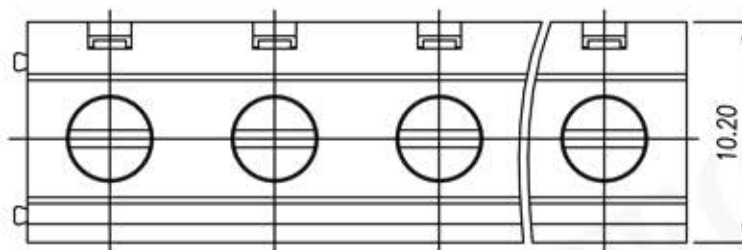


P.C.B. LAYOUT



UL/CUL 技术参数 UL/CUL Technical Data		cNus		
等级	Use Group	B	C	D
额定电压	Rated Voltage [V]	300	-	300
额定电流	Rated Current [A]	16	-	10
接线范围 单/多芯线	Wire Range Solid/Stranded [AWG]	22-12		
耐电压	Withstanding Voltage	1600V/1Min		
IEC 技术参数 IEC Technical Data		IEC60947-7-4		
过电压类别	Overvoltage Category	III	III	II
污染等级	Contamination Class	3	2	2
额定电压	Rated Voltage [V]	450	630	1000
额定电流	Rated Current [A]	20	20	20
额定冲击电压 Impulse withstand voltage	[KV]	6.0	6.0	6.0
导线截面积 硬质/柔性导线	Conductor cross section Solid/flexible [mm ²]	0.5-2.5		
材料 Material				
绝缘材料	Insulation Material	PA66		
阻燃等级	Flammability	UL94V-0		
导体材料	Contacting Material	铜合金 Copper alloy		
导体表面镀层	Contactive Coating	镀锡 Sn Plated		
一般参数 Other Data				
间距 Pitch / 极数 Poles	[mm] / [P]	7.62 / 02-24		
剥线长度 Stripping Length	[mm]	6-7		
螺丝 Screw/扭矩 Torque(Max)	[N.m]	M2.5/0.4		
工作温度 Operating temperature	[°C]	-40-105		
焊接温度 Soldering temperature		260°C/5S		
引针尺寸 Pin Dimensions	[mm]	0.8*0.9		
PCB板孔径 PCB Hole Diameter	[mm]	Ø1.5		

linear dimension(Tolerances Standard GB/T 14486-2008)							—	□	⊥	
variable range	to 6	over 6 to 10	over 10 to 30	over 30 to 60	over 60 to 100	over 100 to 160	to 10	over 10 to 100	over 100 to	
tolerance	±0.20	±0.30	±0.50	±0.70	±1.00	±1.30	±1.60	0.10	0.30	0.60