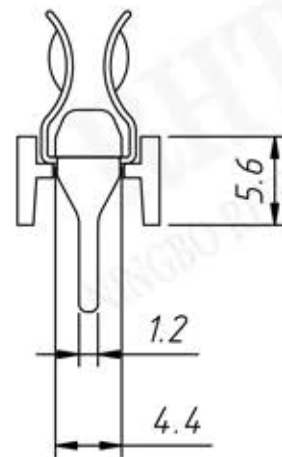
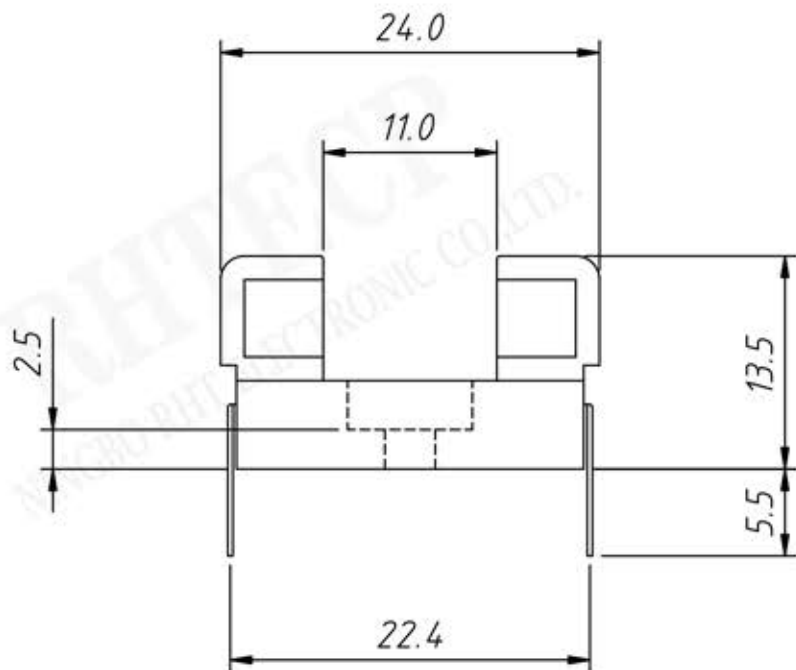
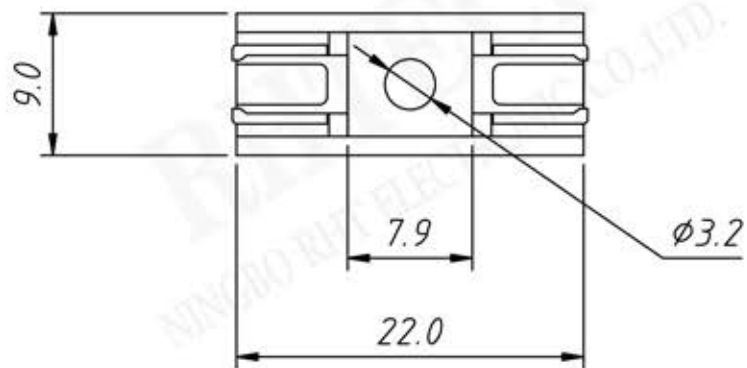


P/N: RE-F-243



*Material:*  
 Body: PC+ABS  
 Cap: Transparency Benzene  
 Contact: Brass, Silver Plated

*Electrical Characteristics:*  
 Fuse 5.2×20mm  
 Pitch 22.4mm  
 Rated Load: 6A 250V.AC  
 Contact Resistance:  $\leq 5m\Omega$   
 Insulation Resistance:  $\geq 500M\Omega$   
 Withstand Voltage: AC 1000V(50Hz)/Min



P/N: RE-F-243

