

16mm Rotary Potentiometers

WH148 Series

Mechanical specifications:

- Total rotation angle: $300^{\circ} \pm 5^{\circ}$
- Rotation torque: 2 ~ 20mN.m (20 ~ 200gf.cm)
- Shaft stop strength: 6Kgf.cm
- Push pull strength: 60N
- Rotary life: 10000 cycles
- Click position: Center detent or 10,20,40, position clicks

Electrical specifications:

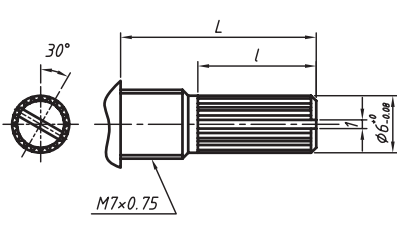
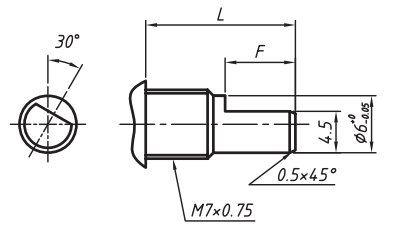
- Total resistance: 5K Ω ~ 2M Ω
- Resistance taper: A, B, C
- Resistance tolerance: $\pm 20\%$
- Rotational noise: ≤ 47 mV
- Residual resistance: $R \geq 250K\Omega$ 0.1% max.of total resistance

$$250K\Omega > R > 10K\Omega \quad 20\Omega \text{ max}$$

$$10K\Omega \geq R \quad 10\Omega \text{ max}$$

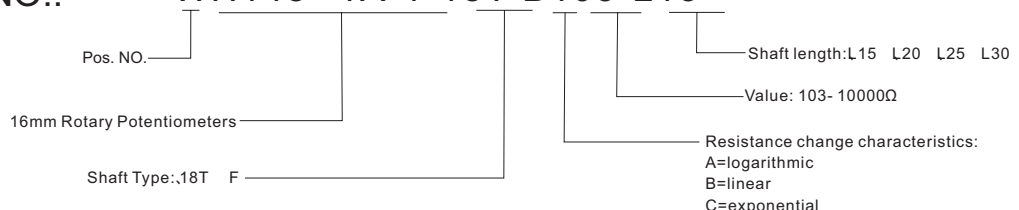
- Tracking error: 0 ~ -40dB 3 dB
- Rated wattage: Curve B: 0.125W; Other than B: 0.063 W
- Max, operating voltage: Curve B: 200 V; Other than B: 150 V
- Dielectric: AC500V, 1 minute
- Insulation resistance: More than 100M Ω at DC500V



18T		L				F		L			
		15	20	25	30			15	20	25	30
	$M7 \times 0.75$	7	12	12	12		$M7 \times 0.75$	7	12	12	12

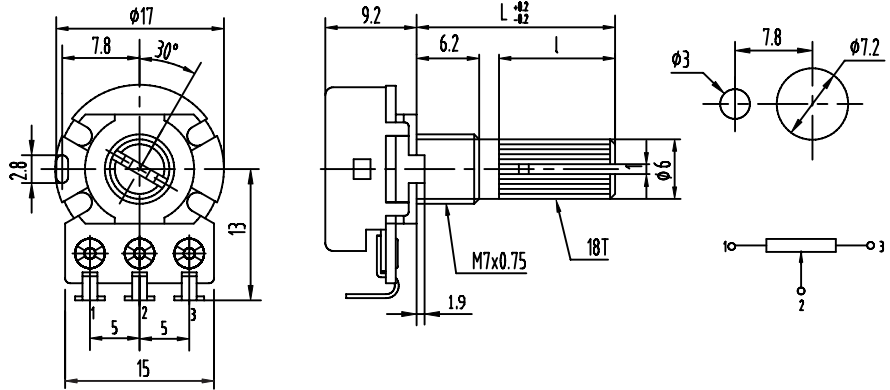
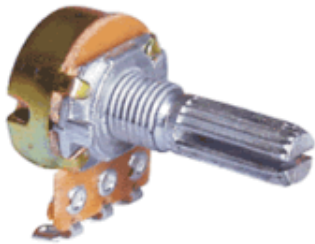
ORDER INFORMATION

Product NO.: WH148 -1A-1-18T-B103-L15

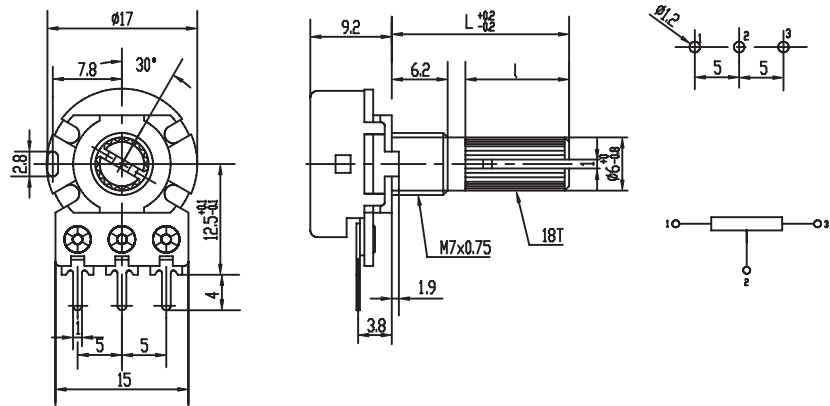


16mm Rotary Potentiometers

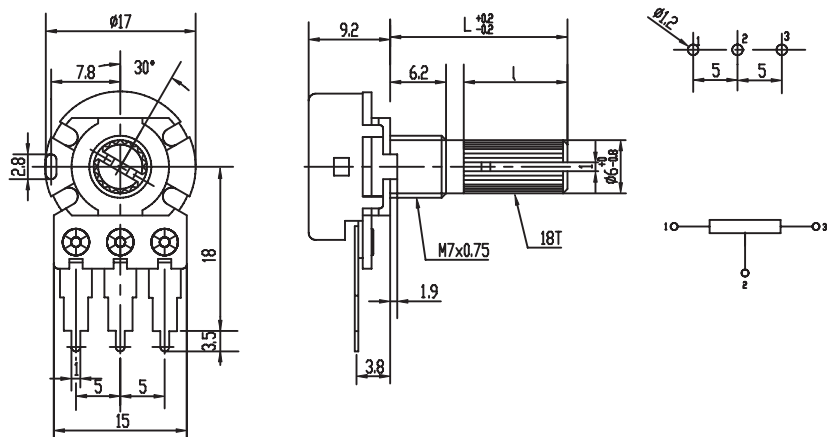
WH148-1A-1



WH148-1A-2

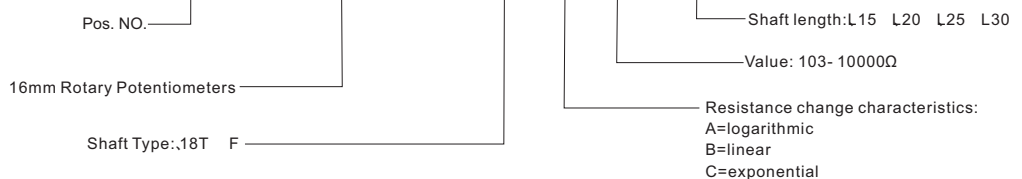


WH148-1A-3



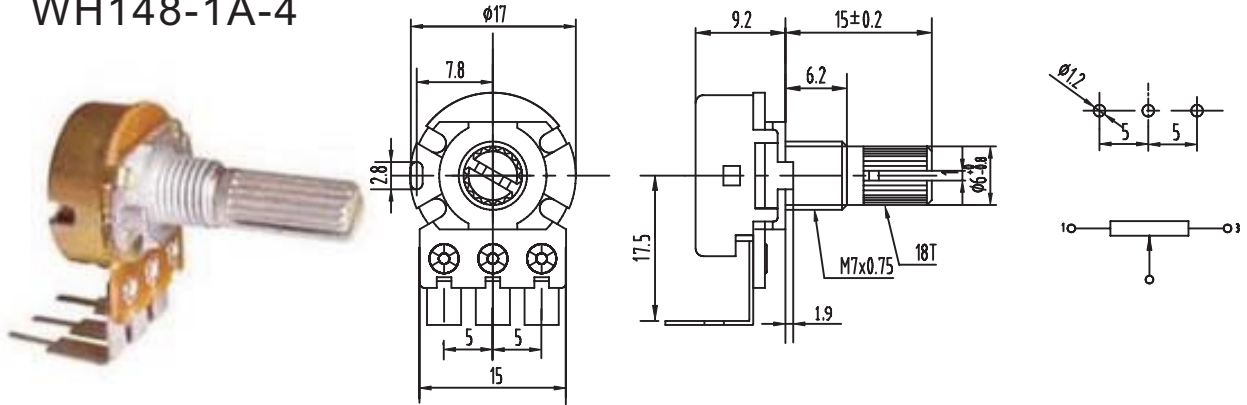
ORDER INFORMATION

Product NO.: WH148 -1A-1-18T-B103-L15

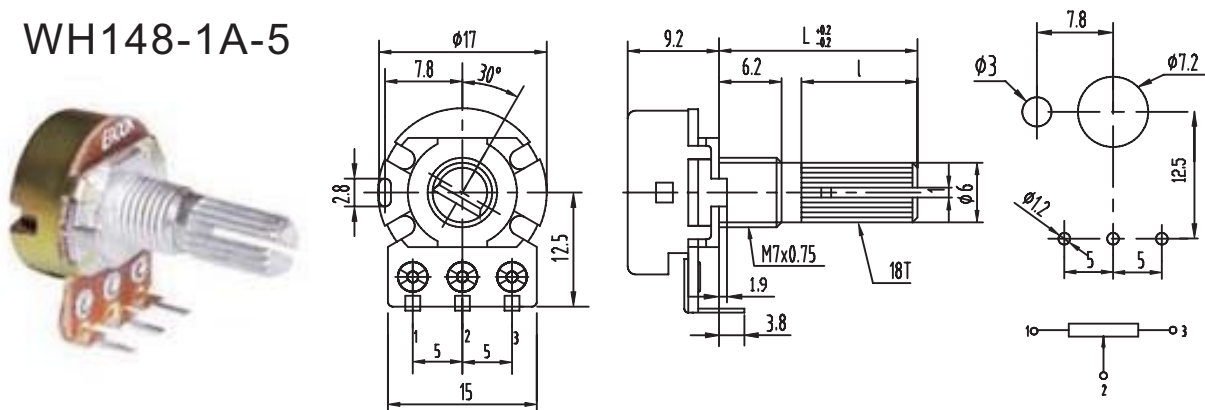


16mm Rotary Potentiometers

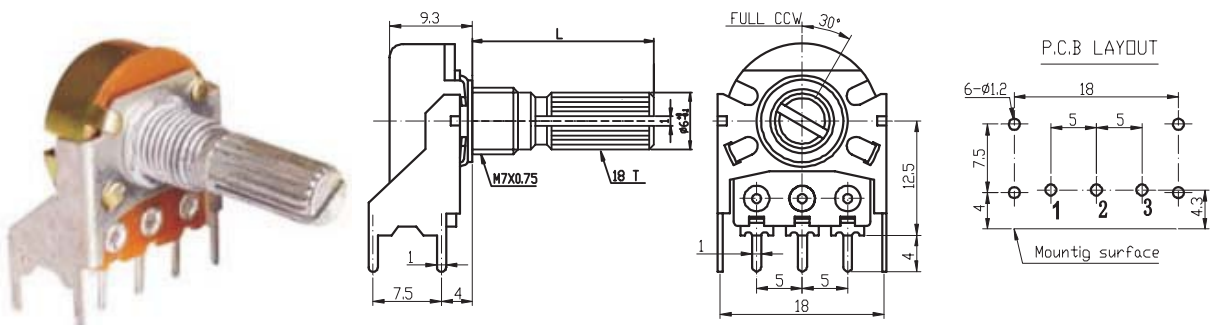
WH148-1A-4



WH148-1A-5

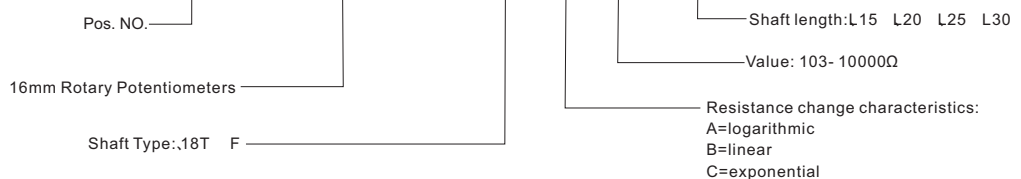


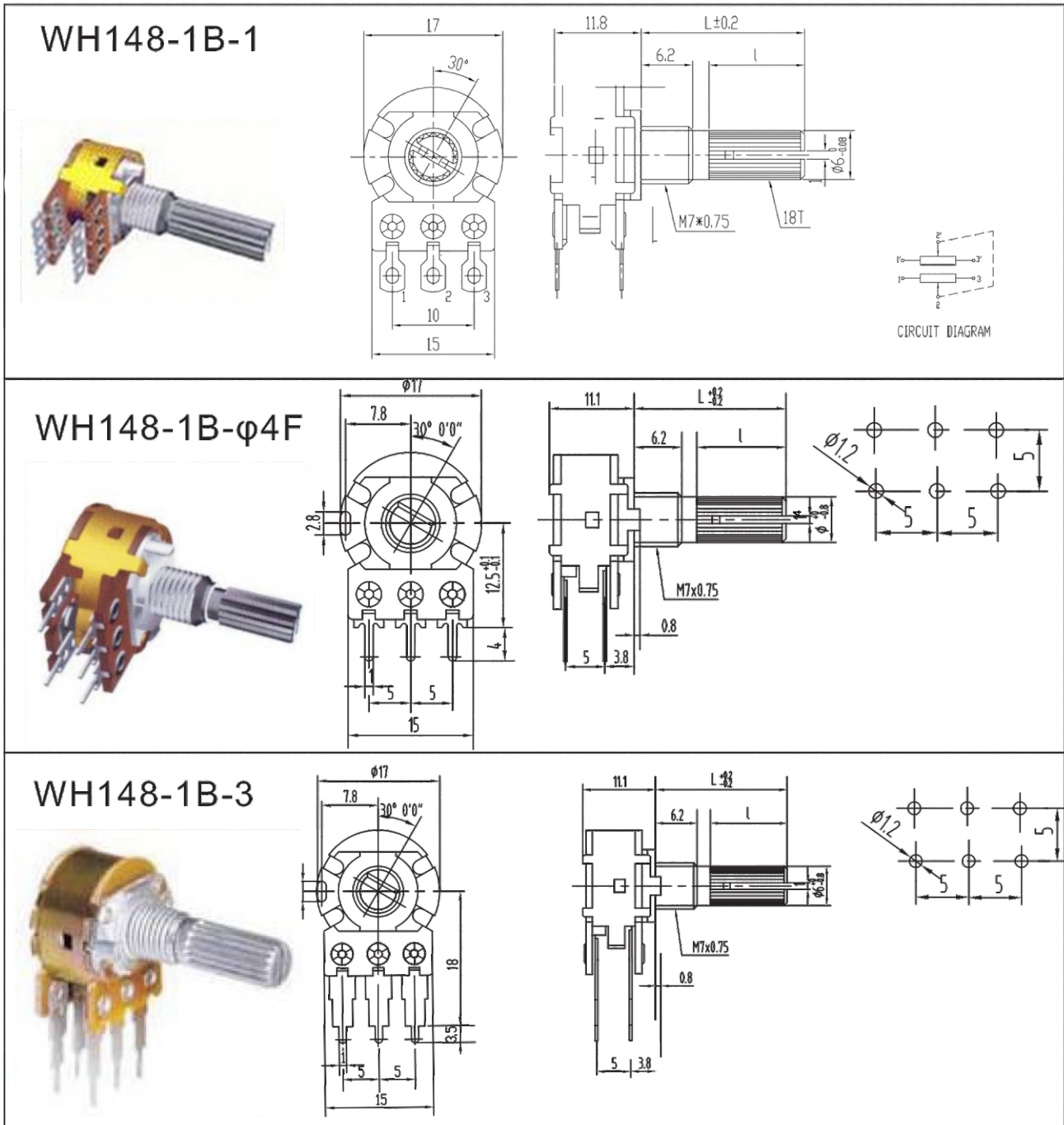
WH148-1A-2S-18T



ORDER INFORMATION

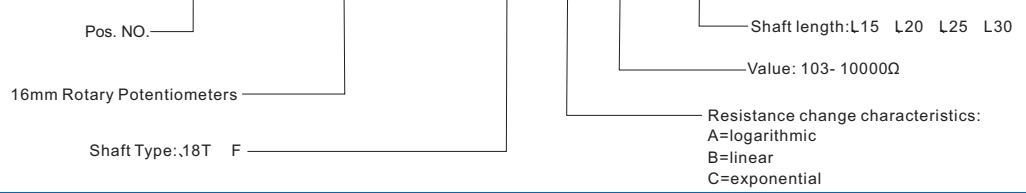
Product NO.: WH148-1A-1-18T-B103-L15



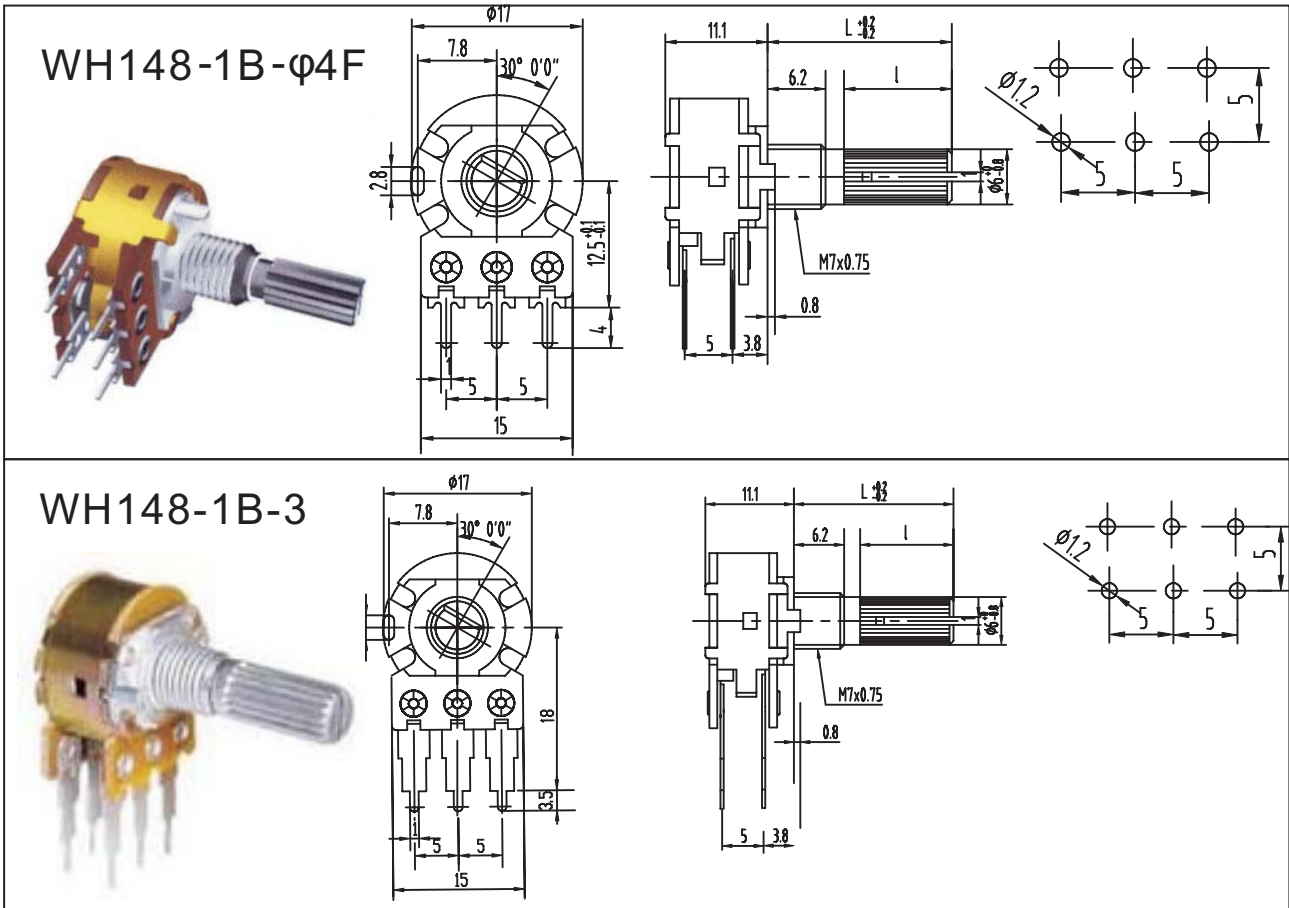


ORDER INFORMATION

Product NO.: **WH148-1A-1-18T-B103-L15**

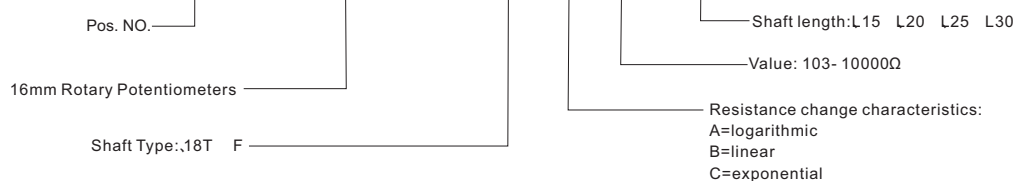


16mm Rotary Potentiometers



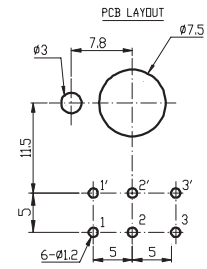
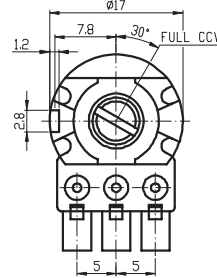
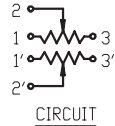
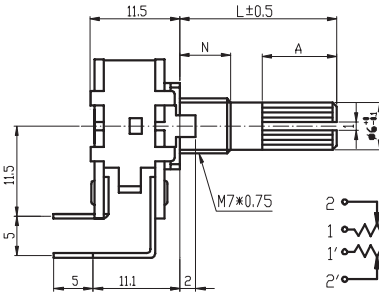
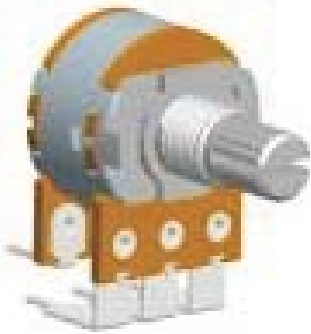
ORDER INFORMATION

Product NO.: WH148 -1A-1-18T-B103-L15

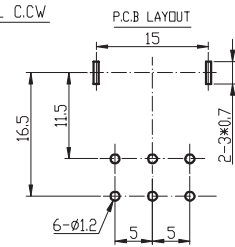
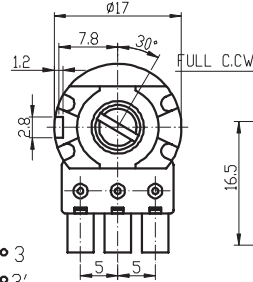
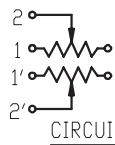
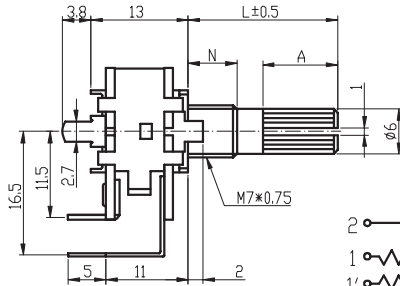
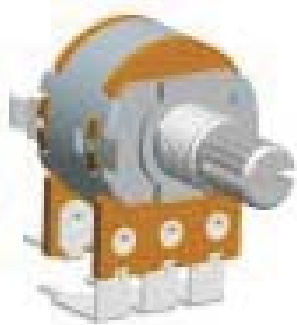


16mm Rotary Potentiometers

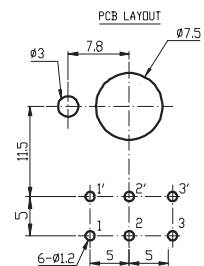
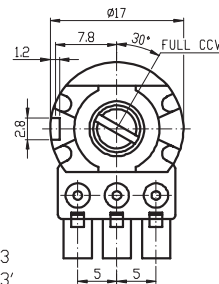
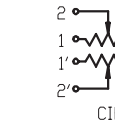
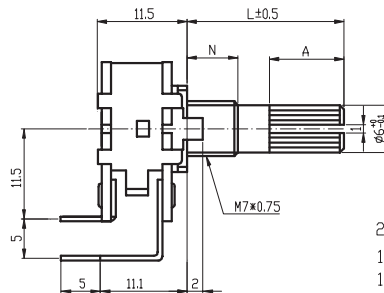
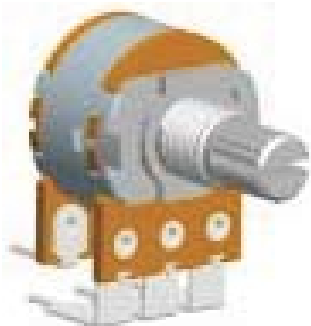
WH148-1B-4



WH148-1B-4J

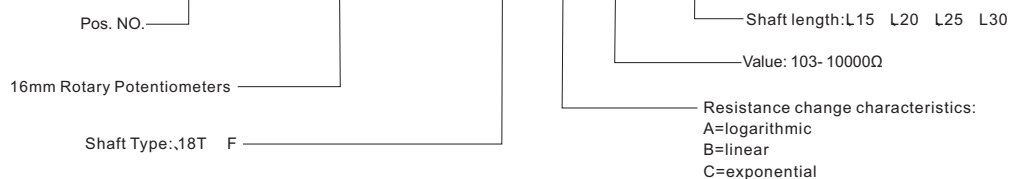


WH148-1B-5



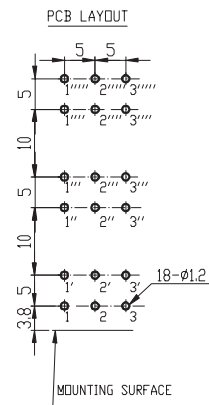
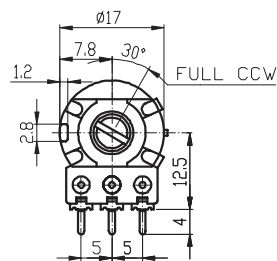
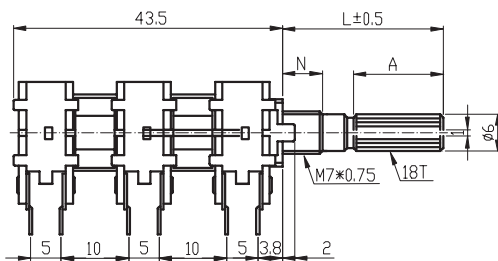
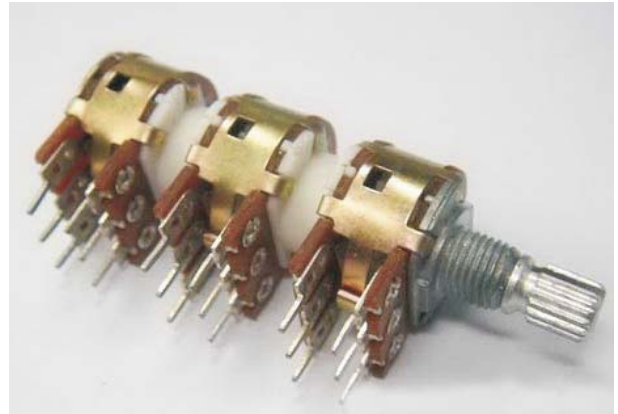
ORDER INFORMATION

Product NO.: WH148 -1A-1-18T-B103-L15

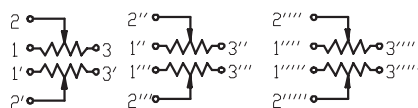


16mm Rotary Potentiometers

WH148-6B6



CIRCUIT



ORDER INFORMATION

Product NO.: WH148 -1A-1-18T-B103-L15

