



PHOTO ONLY FOR REFERENCE

**BNC Connector Series**

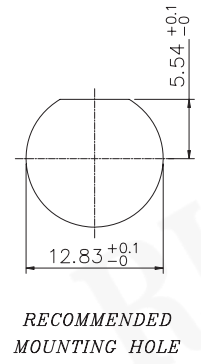
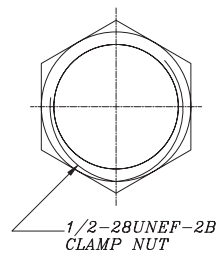
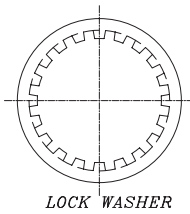
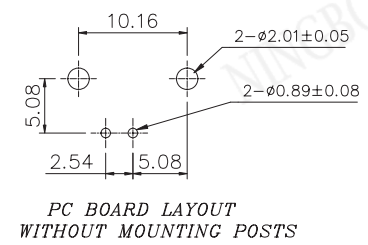
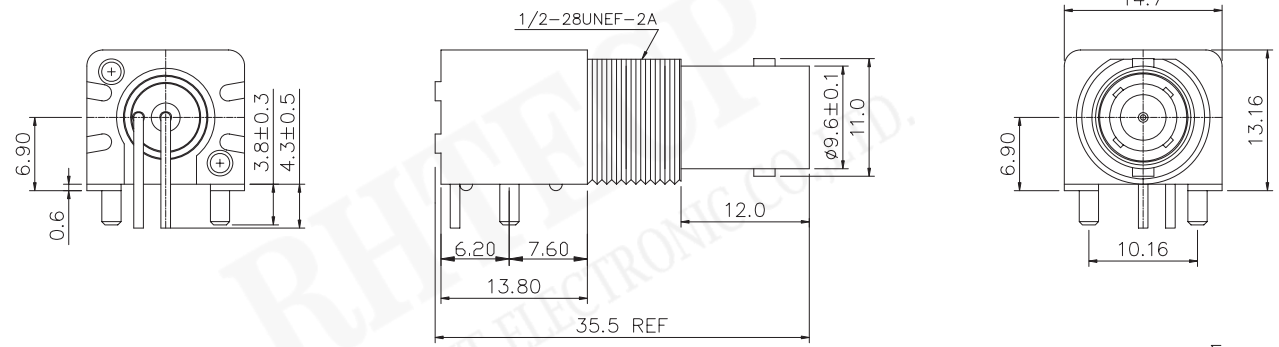
**RE-C-BNC003-W BNC Connector Series**

Electrical Specifications  
 Impedance: 50Ω nominal  
 Frequency Range: 0-4GHz with low reflection  
 Voltage Rating: 500V peak  
 Dielectric Withstanding Voltage: 1,500V rms  
 VSWR: Straight connectors: 1.3 max 0-4GHz  
 Right angle connectors: 1.35 max 0-4GHz  
 Contact Resistance  
 Center contact: 1.5mΩ;  
 Outer contact: 0.2mΩ  
 Insulation Resistance: 5,000MΩ  
 Braid to Body: 0.1 milliohm  
 RF Leakage: -55dB min at 3GHz  
 Insertion Loss: 0.2dB min at 3GHz  
 Temperature Range: -65°C to +165°C

Material  
 Male Contact: Brass  
 Female Contact: Beryllium copper or phosphorous bronze, silver or gold-plated  
 Other Metal Parts: Brass, nickel finish  
 Insulator: TFE  
 Crimp Ferrule: Copper/brass

**ORDER INFORMATION**

Product NO.: RE-C -BNC003-W  
 Pos. NO. \_\_\_\_\_  
 BNC Connector Type \_\_\_\_\_



UNITS:mm	SHEET SIZE:A4	SCALE:---
>0~3	>3~18	>18~50
±0.12	±0.15	±0.3

RE-C-BNCOO3-W  
 CONNECTOR